

# APPROVAL SHEET

**Dipole ANTENNA**  
**315MHz Working Frequency**  
**Halogens Free Product**  
**P/N: RFDPA131000SBUB801**

Customer : \_\_\_\_\_  
Customer 's Part No. : \_\_\_\_\_  
Approval No. : \_\_\_\_\_  
Issue Date : \_\_\_\_\_

\*Contents in this sheet are subject to change without prior notice.

Version	Date	Description	Author
V01	2017 Feb.	New Release	SHLEE

**ELECTRICAL CHARACTERISTICS**

Item	Specification
Frequency Range	315 MHz(note-1)
Impedance	50 Ohm Nominal
VSWR	2 Max.
Radiation	Omni-directional
Polarization	Linear Vertical
Admitted Power	1W

\*note-1: Electrical characteristics will depend on customer's final application.

**MATERIAL TABLE**

Items	Description
Cable	RG178(Brown)
Antenna Cover	ABS(Black)
Antenna Base	PC+PBT(Black)
Connector	Reverse SMA Plug(Black)
PCB	FR4
Sponge	Black

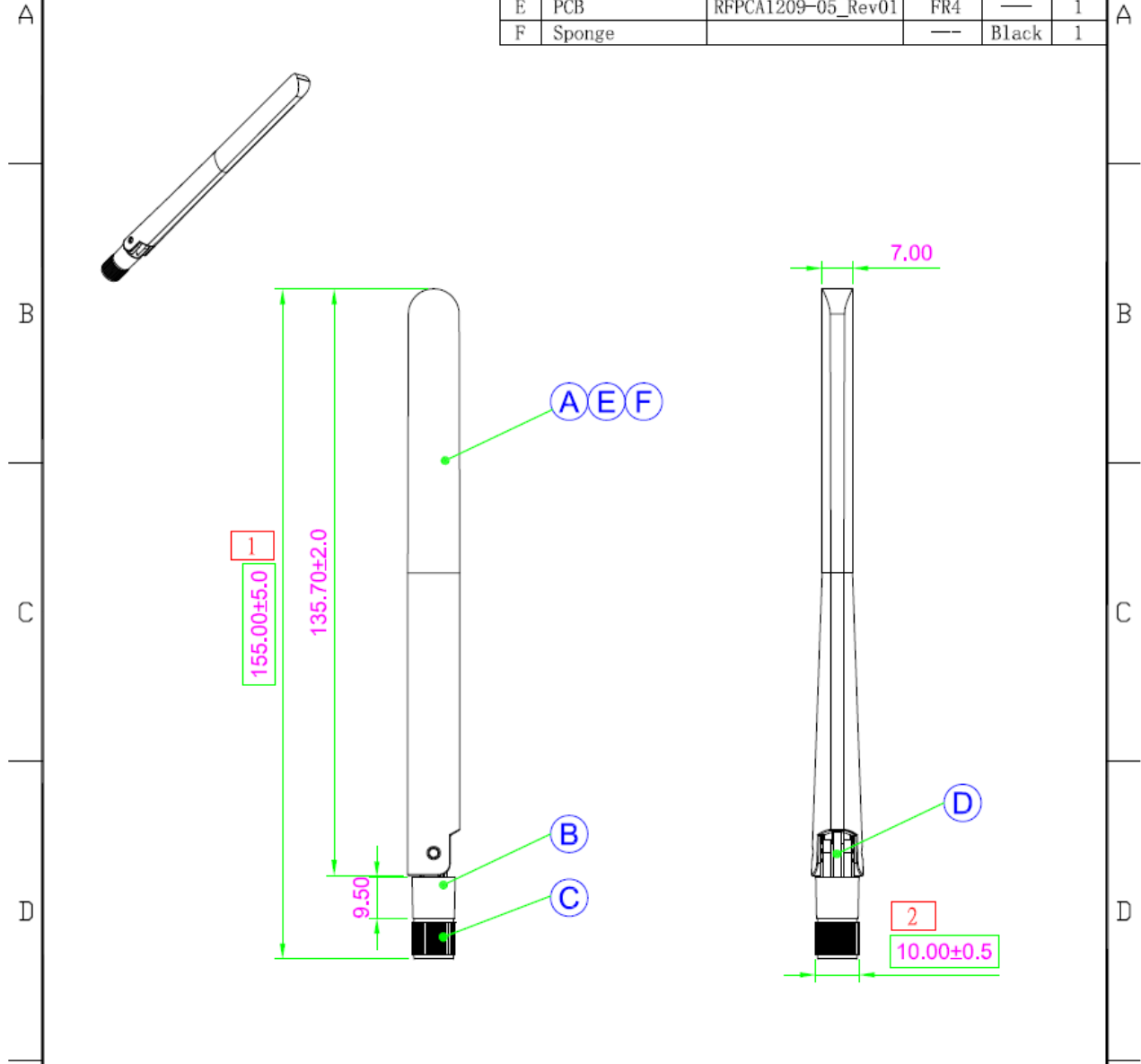
**ORDERING RULE**

RF	DPA	1310	00	S	B	U	B	8	01
Type Code	Product Code	Dipole Dimension (Unit: mm)	Cable Length (unit: cm)	Connector Brand	Type of Connector	Application	Project status	Wire Diameter	Project
Walsin RF Device	DPA: Dipole Antenna	Per 2 digits of length, width e.g.: 1510 Length 150.8mm, Width 10mm	2 digits for cable length e.g.: 00 None Cable	A: N C:MCX D:IPEX III E: IPEX IV F: IPEX A13 H: Hirose I: IPEX M: MMCX S: SMA T: TNC U:MURATA N: None	A: Reverse Female B: Reverse Male F: Female M: Male N: None	0: 0GHz 3: 3GHz 6: 6GHz A: 2.4GHz ISM band B: GSM 900/1800 dual band G: GPS band L: 2.4/5.2/5.8 GHz tri-band N: NFC T: LTE band W: WCDMA band	B: MP T:Durin g Test X: Pile Run	0:None 1:∅ 0.81 3:∅ 1.13 6:RG316 7:∅ 1.37 8:RG178	01-99 series number

# DIMENSIONS

ELECTRICAL  
Frequency: 315 MHz

No.	DESCRIPTION	MAT'L	Color	Q'TY
A	Antenna Cover	ABS	Black	1
B	Antenna Base	PC+PBT	Black	1
C	Connector	Reverse SMA Plug	Brass	Black
D	Cable	RG178	Brown	1
E	PCB	RFPCA1209-05_Rev01	FR4	1
F	Sponge	---	Black	1



※標記□記號者, 為重點檢驗尺寸

				設計 DR. SHLEE	2017.02.08	品名	版本 REV.
				核准 Marco		ARTICLE	A
				容許公差 TOLERANCE		RFDPA131000SBUB801	
				6以下.....±0.2		單位 UNIT	
				6以上~30.....±0.5		比例 SCALE	
				30以上~120.....±0.8		張數 SHEET	
				120以上~315.....±1.2		1	
				315以上~1000.....±2.0		mm	
				1000以上~2000.....±3.0		****	
						圖示	

# Test Report

## ELECTRICAL CHARACTERISTICS

### Return Loss



单击下面可查看定价，库存，交付和生命周期等信息

[>>Walsin Technology\(华新科技\)](#)