

APPROVAL SHEET

WW12J, WW12K

$\pm 1\%$, $\pm 5\%$

Metal Ultra low ohm power chip resistors

Size 1206 0.5W, 1W

Metal Current Sensing Type

RoHS Exemption free and Lead free products

Halogen free

Low EMF

*Contents in this sheet are subject to change without prior notice.

FEATURE

1. Ultra low and stable TCR performance
2. High power rating and low EMF $< \pm 3 \mu\text{V}/\text{degreeC}$
3. High reliability and stability
4. Reduced size of final equipment
5. RoHS exemption free and Lead free products
6. Inductance below 1nH

APPLICATION

- Power supply
- PDA
- Digital meter
- Computer
- Automotives
- Battery charger
- DC-DC power converter

DESCRIPTION

The resistors are constructed in a high grade low resistive metal body. The resistive layer is covered with a protective coat and printed a resistance marking code over it. Finally, the two external end terminations are added. For ease of soldering the outer layer of these end terminations is a lead-free solder.

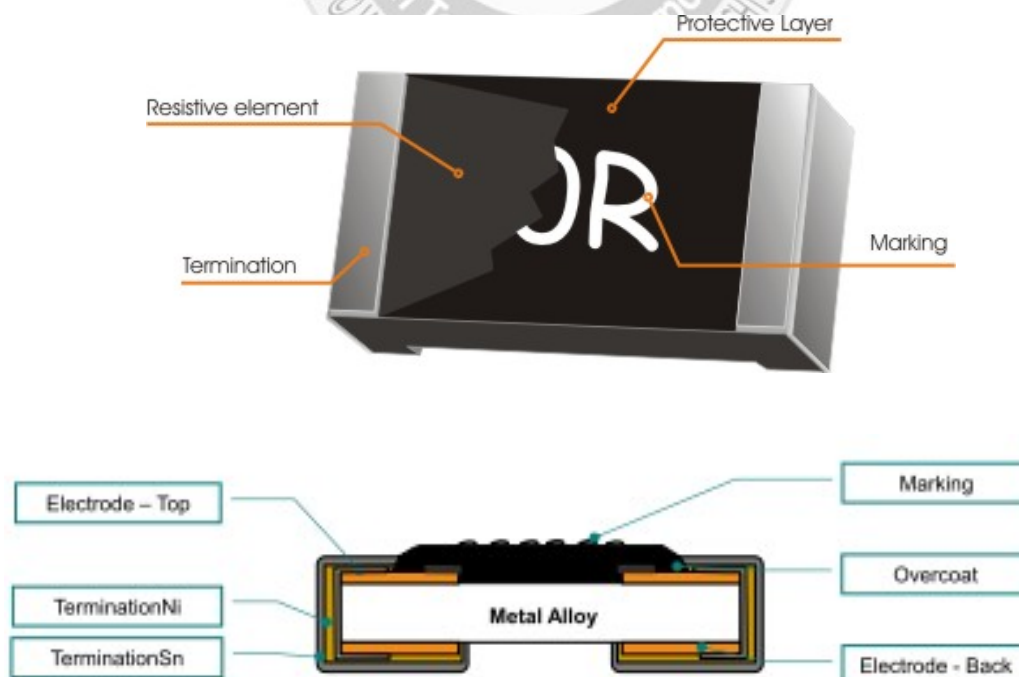


Fig 1. Construction of Chip-R

QUICK REFERENCE DATA

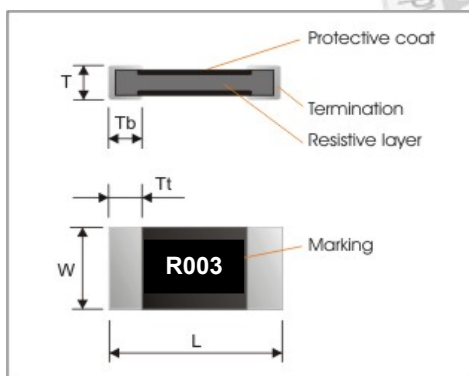
Item	General Specification	
Series No.	WW12J	WW12K
Size code	1206 (3216)	1206 (3216)
Resistance Tolerance	±5%; ±1%	±5%; ±1%
Resistance Value	0.001Ω, 0.002Ω, 0.003Ω, 0.004Ω, 0.005Ω, 0.006Ω, 0.007Ω, 0.008Ω, 0.009Ω, 0.010Ω, 0.015Ω, 0.020Ω, 0.025Ω,	0.001Ω, 0.002Ω, 0.003Ω, 0.004Ω, 0.005Ω, 0.006Ω, 0.007Ω, 0.008Ω, 0.009Ω, 0.010Ω, 0.015Ω, 0.020Ω, 0.025Ω,
TCR (ppm/°C)	±70	±70
Max. dissipation at T _{amb} =70°C	1/2 W	1 W
Operation temperature	-55 ~ +170°C	-55 ~ +170°C

Note :

1. This is the maximum voltage that may be continuously supplied to the resistor element, see “IEC publication 60115-8”
2. Max. Operation Voltage : So called RCWV (Rated Continuous Working Voltage) is determined by

$$RCWV = \sqrt{\text{Rated Power} \times \text{Resistance Value}}$$
 or Max. RCWV listed above, whichever is lower.
3. R-value might be variance depend on soldering conditions and please consider this influence before use milli-ohm resistors, and strongly suggest use the recommend solder pad to design your circuits.

MECHANICAL DATA



Symbol	R001, R002	R003 – R025
L	3.20±0.15	3.10±0.20
W	1.70±0.15	1.65±0.20
T	0.70±0.20	0.60±0.20
Tt	1.10±0.25	0.60±0.20
Tb	1.10±0.25	0.60±0.20

Recommended Solder Pads:

Strongly suggest use recommend solder pad to design your circuits



Resistance	1m, 2mΩ	3m ~ 25mΩ
W	1.8mm	1.8mm
D	2.3mm	1.3mm
L	5.6mm	4.7mm

MARKING

TOP : Marking. (1 digit marking to identify the resistance value.1m, 2m)

1=1mΩ ; 2=2 mΩ

TOP : Marking. (4 digits marking to identify the resistance value.3m ~ 25m)

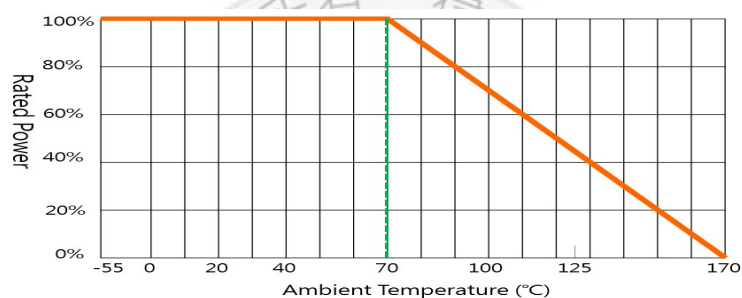


R005=5mΩ , R020=20mΩ

FUNCTIONAL DESCRIPTION

Derating curve

The power that the resistor can dissipate depends on the operating temperature.



MOUNTING

Due to their rectangular shapes and small tolerances, Surface Mountable Resistors are suitable for handling by automatic placement systems.

Chip placement can be on ceramic substrates and printed-circuit boards (PCBs).

Electrical connection to the circuit is by individual soldering condition.

The end terminations guarantee a reliable contact.

SOLDERING CONDITION

The robust construction of chip resistors allows them to be completely immersed in a solder bath of 260°C for 10 seconds. Therefore, it is possible to mount Surface Mount Resistors on one side of a PCB and other discrete components on the reverse (mixed PCBs).

Surface Mount Resistors are tested for solderability at 235°C during 3 seconds. The test condition for no leaching is 260°C for 30 seconds. Typical examples of soldering processes that provide reliable joints without any damage are given in Fig 3.

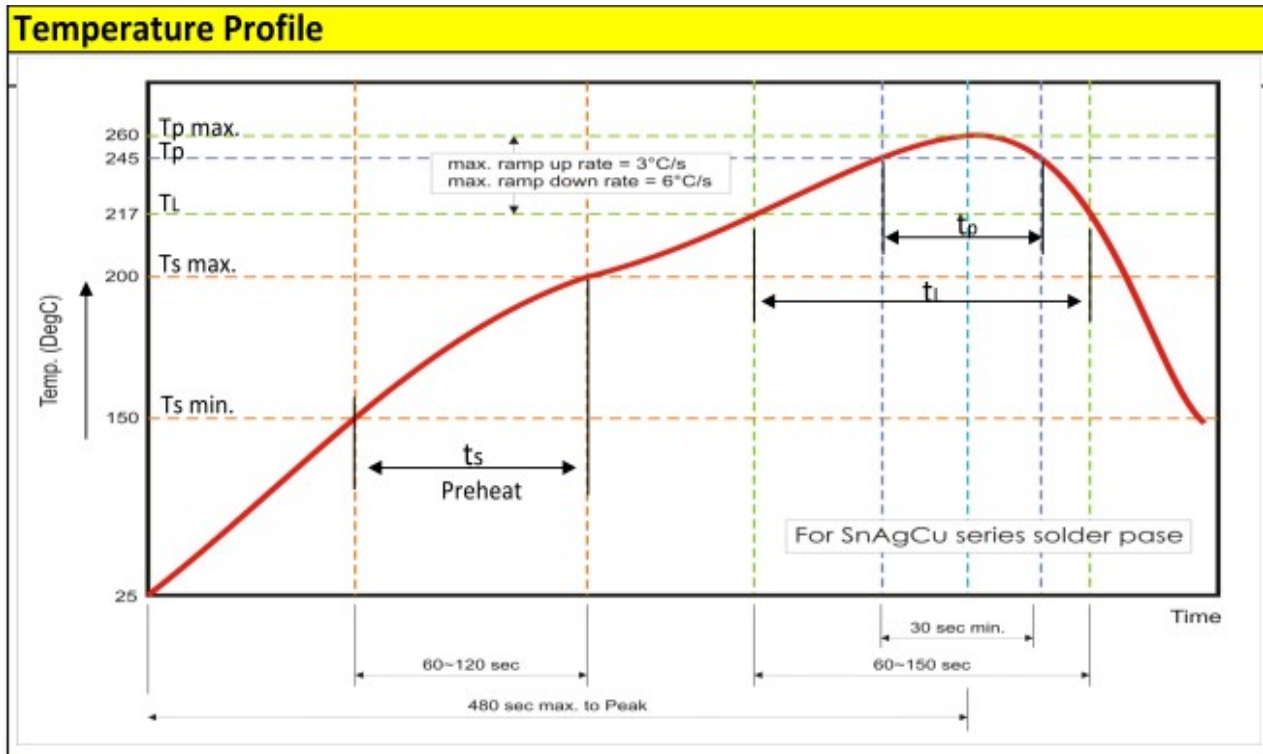


Fig 3. Infrared soldering profile for Chip Resistors WW12

CATALOGUE NUMBERS

The resistors have a catalogue number starting with .

WW12	K	R010	F	T	L
Size code WW12 : 1206	Type code J : 1/2W K: 1W Metal strip Low EMF	Resistance code R is first digit followed by 3 significant digits. 0.010Ω = R010	Tolerance J : ±5% F : ±1%	Packaging code T : 7" reeled in tape, 4,000pcs G: 13" reeled in tape, 16,000pcs	Termination code L = Sn base (lead free)

TEST AND REQUIREMENTS (JIS C 5201-1 : 1998)

Essentially all tests are carried out according to the schedule of IEC publication 115-8, category LCT/UCT/56 (rated temperature range : Lower Category Temperature, Upper Category Temperature; damp heat, long term, 56 days). The testing also meets the requirements specified by EIA, EIAJ and JIS.

The tests are carried out in accordance with IEC publication 68, "Recommended basic climatic and mechanical robustness testing procedure for electronic components" and under standard atmospheric conditions according to IEC 60068-1, subclause 5.3. Unless otherwise specified, the following value supplied :

Temperature: 15°C to 35°C.

Relative humidity: 45% to 75%.

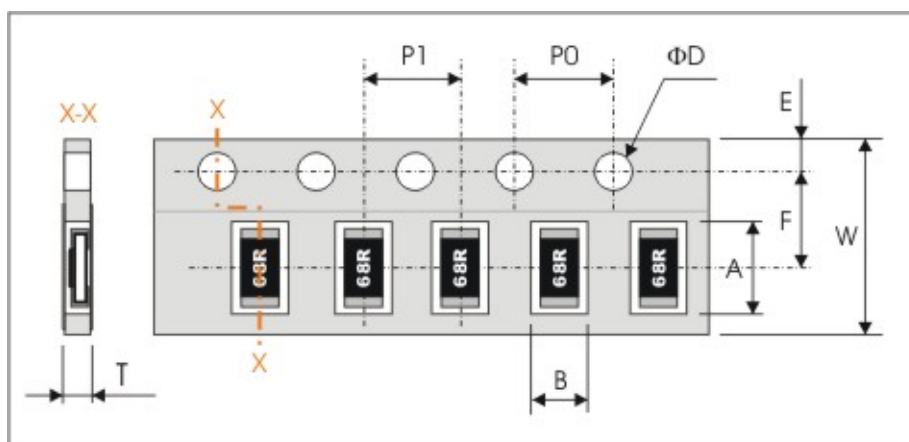
Air pressure: 86kPa to 106 kPa (860 mbar to 1060 mbar).

All soldering tests are performed with mildly activated flux.

TEST	PROCEDURE	REQUIREMENT
Temperature Coefficient of Resistance (T.C.R) Clause 4.8	Natural resistance change per change in degree centigrade. $\frac{R_2 - R_1}{R_1(t_2 - t_1)} \times 10^6 \text{ (ppm/}^\circ\text{C)}$ t ₁ : 20°C+5°C-1°C R ₁ : Resistance at reference temperature R ₂ : Resistance at test temperature	Refer to "QUICK REFERENCE DATA"
Short time overload (S.T.O.L) Clause 4.13	Permanent resistance change after a 5 second application of 5 times rated power specified in the above list,	no visible damage J: ΔR/R max. ±(2%+0.5mΩ) F: ΔR/R max. ±(1%+0.5mΩ)
Resistance to soldering heat (R.S.H) Clause 4.18	Un-mounted chips completely immersed for 10±1second in a SAC solder bath at 270°C±5°C	no visible damage J: ΔR/R max. ±(1%+0.5mΩ) F: ΔR/R max. ±(0.5%+0.5mΩ)
Solderability Clause 4.17	Un-mounted chips completely immersed for 3±0.5 second in a SAC solder bath at 235°C±2°C	good tinning (>95% covered) no visible damage
Temperature cycling Clause 4.19	30 minutes at -55°C±3°C, 2~3 minutes at 25°C+2°C-1°C, 30 minutes at +155°C±3°C, 2~3 minutes at 25°C+2°C-1°C, total 5 continuous cycles	no visible damage J: ΔR/R max. ±(1%+0.5mΩ) F: ΔR/R max. ±(0.5%+0.5mΩ)
Load life (endurance) Clause 4.25	70±2°C, 1000 hours, loaded with RCWV or Vmax, 1.5 hours on and 0.5 hours off	no visible damage J: ΔR/R max. ±(3%+0.5mΩ) F: ΔR/R max. ±(1%+0.5mΩ)
Load life in Humidity Clause 4.24	1000 hours, at rated continuous working voltage in humidity chamber controller at 40°C±2°C and 90~95% relative humidity, 1.5hours on and 0.5 hours off	no visible damage J: ΔR/R max. ±(3%+0.5mΩ) F: ΔR/R max. ±(1%+0.5mΩ)
Insulation Resistance Clause 4.6	Resistance between termination and overcoat. test voltage 100+/-15V	Min. 1Gohm
Bending Clause 4.33	Resistance change after bended 3mm on the 90mm PCB. 2mm for 1206/ 2512!	no visible damage J: ΔR/R max. ±(1%+0.5mΩ) F: ΔR/R max. ±(0.5%+0.5mΩ)
Adhesion Clause 4.32	Pressurizing force: 1Kg, Test time: 60±1sec.	No remarkable damage or removal of the terminations

PACKAGING

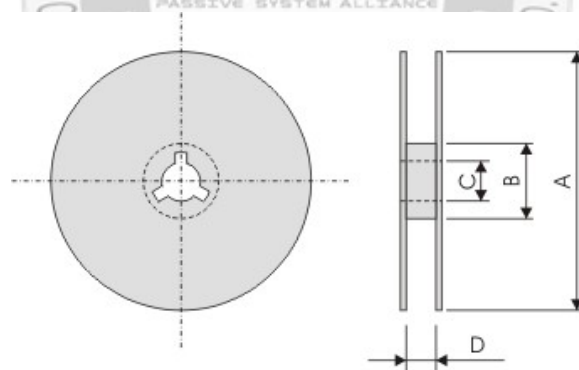
Paper Tape specifications (unit :mm)



Series No.	A	B	W	F	E
WW12J, WW12K	3.60±0.20	2.00±0.20	8.00±0.30	3.50±0.05	1.75±0.10

Series No.	P1	P0	ΦD	T
WW12J, WW12K	4.00±0.10	4.00±0.10	Φ1.50 ^{+0.1} _{-0.0}	Max. 1.2

Reel dimensions



Size	Symbol (unit : mm)	A	B	C	D
1206	7" reel	Φ178.0±2.0	Φ60.0±1.0	13.0±0.5	10.0±1.5
1206	13" reel	Φ330.0±2.0	Φ100.0±1.0	13.0±0.5	10.0±1.5

Taping Qty: 4,000pcs per 7" reel; 16,000pcs per 13" reel.

单击下面可查看定价，库存，交付和生命周期等信息

[>>Walsin Technology\(华新科技\)](#)