

Metal Oxide Varistor (MOV)

PRODUCT SPECIFICATION

PRODUCT NAME : Varistor

PART NUMBER: SR series

Issue Date : Jul.10,2019

RoHS

Halogen Free

CUSTOMER APPROVAL:

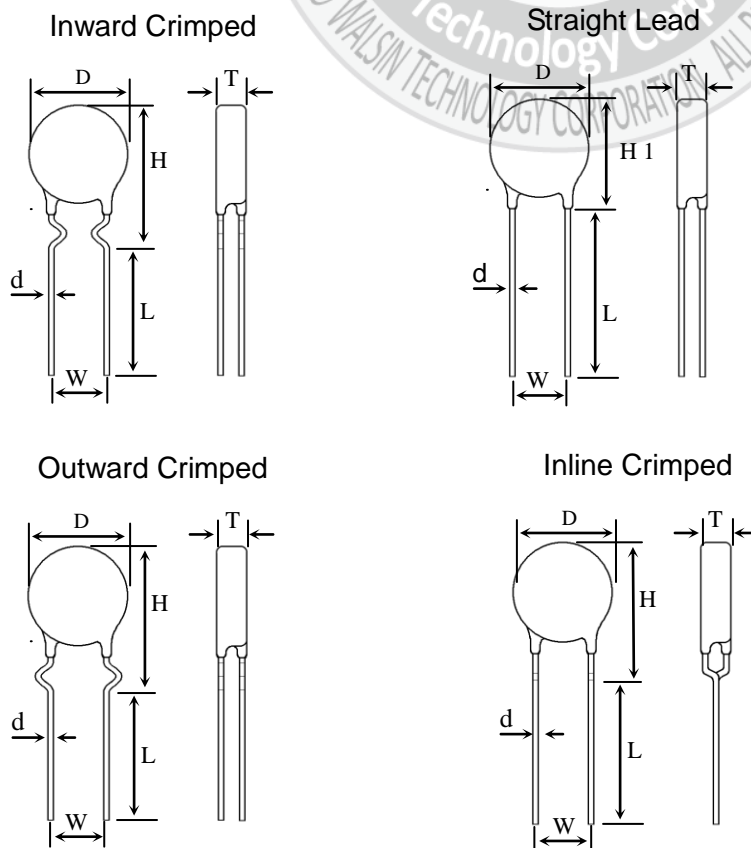
Metal Oxide Varistor (MOV)

How to Order

SR	241	K	10	D	S	20C	N	E	E	N
Type Code	Varistor Voltage	Tolerance	Disk Size code	Disk type	Lead style	Lead Cutting & Taping Code	Lead space+Tol. (mm)	Lead Material (mm)	Coating	Special code
SR: Walsin Varistor	(DC volt) (From 180 to 112) Two significant digits Followed by no. of zeros 180=18volt 101=100volt 102=1000volt	K: ±10%	05:5mm 07:7mm 10:10mm 14:14mm 18:18mm 20:20mm 25:25mm	D:Standard E:High Energy	S: Straight Lead L: Inline Crimped O: Outward Crimped I: Inward Crimped	Taping Straight lead: AMG:P=25.4mm, Ammo TMG:P=25.4mm, Reel JNE:P=12.7mm, Ammo KNE:P=12.7mm, Reel Kink lead: AMD:P=25.4mm, Ammo TMD:P=25.4mm, Reel JNC:P=12.7mm, Ammo KNC:P=12.7mm, Reel Bulk 20C:20mm min 25C:20mm min 10A:10.0±0.5mm (kink lead) 10B:10±1mm (straight lead) 03A:3.0±0.5mm (kink lead) 03B:3.±1mm (straight lead) 3EA:3.5±0.5mm (kink lead) 3EB:3.5±1.0mm (straight lead)	5:5.0±0.5 E:5.0±0.8 F:5.0±1.0 7:7.5±0.5 M:7.5±0.8 N:7.5±1.0 R:10.0±0.5 O:10.0±1.0 T:10.0±0.8	A:0.6 CU wire B:0.8 CU wire C:1.0 CU wire D:0.6 CP wire E:0.8 CP wire F:1.0 CP wire	E:Epoxy coating	N: N/A

Dimensions Quick Reference: If specific item's dimensions, please contact sales

Series	5D,5E	7D,7E	10D,10E	14D,14E	18E	20D,20E	25D	
Dmax	7.0	9.5	12.0	16.5	20.0	22.5	28.0	
d*	0.6	0.6	0.8	0.8	0.8	1.0	1.0	
W**	5.0	5.0	7.5	7.5	7.5	10.0	12.7	
Hmax	12.5	14.5	19.0	22.5	26.0	29.0	36.5	
H1max	10.0	12.0	17.0	20.5	24.0	28.0	34.0	
Tmax	4.9	4.9	8.5	8.5	9.0	9.0	9.5	
* ±0.05 ** ±1.0								(Unit: mm)



Remark:
The lead length (L) is 20mm minimum unless requested by customers; please refer to lead cutting code in "How to order".

Metal Oxide Varistor (MOV)

Characteristics

- High performance transient voltage suppression
- Short response time to surge voltage
- Low standby power dissipation
- Excellent clamping characteristics
- High performance withstanding surge currents
- High reliability
- UL, CSA, VDE and SEV recognized

Definition of Varistor Terms

Rated RMS Voltage, Rated DC Voltage :

The maximum designated values of power system voltage that may be applied continuously between the terminals of a device.

Varistor Voltage :

Test characteristic that is used to classify varistors by type. A test current of 1mA DC is typically used to determine varistor voltage classification type. Varistor voltage clamping characteristics can be defined at various test levels.

Rated Peak Single Pulse Transient Current :

Maximum surge current, 8/20μs waveform which a varistor is rated to withstand for a single surge.

Rated Single Pulse Transient Energy :

Maximum allowable energy for a single impulse (see specified waveforms).

Maximum Clamping Voltage :

Measured peak voltage across the device terminals when a current impulse of specified amplitude and waveform is conducted through the varistor.

Typical Capacitance :

Typical capacitance values are measured at a test frequency of 1kHz. Capacitance values are only for reference purpose only, not subject to outgoing inspection.

Applications

- Surge protection in:
 - consumer electronics
 - industrial electronics
 - communication electronics
 - measuring and controlling systems
 - electronic home appliances
- Protection against surges induced by lightning striking incoming power lines.
- Suppression of surges caused by switching inductive loads such as transformers, relays and coils.
- Protection of rectification diodes, SCRs, power transistors, semiconductor devices, etc.

General Characteristics

Storage Temperature : -40°C to +125°C

Operating Ambient Temperature : -40°C to +85°C (without derating)

Maximum Voltage-Temperature Coefficient : < -0.05%/C

Insulation Resistance : 1000 Mega-ohm minimum

Hi Pot (Leads To Case, 1 Min.) : 2500 VDC

Typical Response Time : < 25 Nano-seconds

Epoxy Rating : 94V-0

Current/Energy Derating (>85°C) : -2.5 %/C

DC Leakage Current : 200μA maximum (at rated DC working voltage)

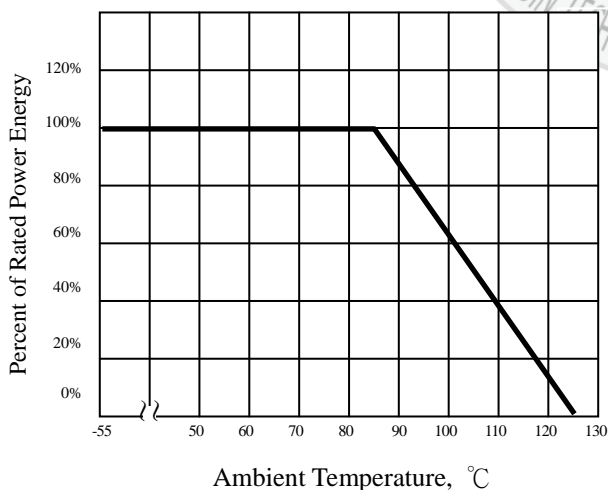
Solder ability : MIL-STD-202F

Power Dissipation Ratings(P, in-watts) :

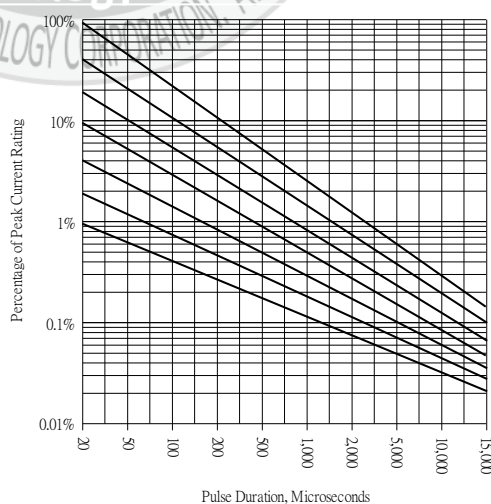
Disc Size	11Vac~40Vac	50Vac~680Vac
5mm	0.01	0.15
7mm	0.02	0.25
10mm	0.05	0.4
14mm	0.1	0.6
18mm	—	0.8
20mm	0.2	1.0
25mm	—	1.2
32mm	—	1.6
34mm(single)	—	2.1
34mm(dual)	—	2.73
40mm	—	2.1
53mm	—	2.5

All definitions are according to IEEE specifications C62.33.

Energy Derating Versus Temperature



Peak Current Per Pulse Versus Pulse Duration



Number of Pulses on Order from 10¹ Respectively:

- 1 Pulse
- 10 Pulses
- 10² Pulses
- 10³ Pulses
- 10⁴ Pulses
- 10⁵ Pulses
- 10⁶ Pulses

Varistors – 5D Series

Type Number	Maximum Allowable Voltage		Varistor* Voltage		Withstanding Surge Current (8/20 μ S)		Max. Clamping Voltage (8/20 μ S)		Maximum Energy		Typical Capacitance	Safety Approval
	ACrms	DC	DC Volts		1 time	2 times	Vc	Ip	2ms	10/1000 μ s	@1kHz	
	Volts	Volts	Min	Max	Amps		Volts	Amps	Joules		PF	
SR180K05D	11	14	16	20	100	50	36	1	0.4	0.6	1500	Δ ☆
SR220K05D	14	18	20	24	100	50	43	1	0.6	0.8	1260	Δ ☆
SR270K05D	17	22	24	30	100	50	53	1	0.7	0.9	1050	Δ ☆
SR330K05D	20	26	30	36	100	50	65	1	0.9	1.2	850	Δ ☆
SR390K05D	25	31	35	43	100	50	77	1	1.1	1.3	600	Δ ☆
SR470K05D	30	38	42	52	100	50	93	1	1.4	1.6	500	Δ ☆
SR560K05D	35	45	50	62	100	50	110	1	1.5	1.9	400	Δ ☆
SR680K05D	40	56	61	75	100	50	135	1	1.8	2.3	360	Δ ☆
SR820K05D	50	66	74	90	400	200	135	5	2.4	3	350	Δ ☆
SR101K05D	60	85	90	110	400	200	165	5	2.4	3.5	320	Δ ☆
SR121K05D	75	102	108	132	400	200	200	5	3	5	250	Δ ☆
SR151K05D	95	127	135	165	400	200	250	5	3.5	5.5	180	Δ ☆
SR181K05D	120	160	170	207	400	200	320	5	4.2	8	155	Δ ☆
SR201K05D	130	175	185	225	400	200	340	5	5	8.5	140	Δ ☆
SR221K05D	140	180	198	242	400	200	360	5	6	9	125	Δ ☆
SR241K05D	150	200	216	264	400	200	395	5	6.5	10	115	Δ ☆
SR271K05D	180	230	255	311	400	200	475	5	7.5	11	105	Δ ☆
SR301K05D	195	250	270	330	400	200	525	5	8	11.5	95	Δ ☆
SR331K05D	210	275	297	363	400	200	540	5	8.5	11.7	85	Δ ☆
SR361K05D	230	300	324	396	400	200	595	5	9	13	80	Δ ☆
SR391K05D	250	330	351	429	400	200	650	5	10	15	75	Δ ☆
SR431K05D	275	370	387	473	400	200	710	5	11	16	65	Δ ☆
SR471K05D	300	385	423	517	400	200	775	5	13	19	55	Δ ☆
SR511K05D	320	420	459	561	400	200	865	5	15	21	39	Δ ☆
SR561K05D	360	470	522	638	400	200	960	5	17	25	36	Δ ☆
SR621K05D	390	505	558	682	400	200	1040	5	19	27	33	Δ ☆
SR681K05D	420	560	612	748	400	200	1120	5	21	30	30	Δ ☆

Remark:

All parts approved as follows:

- (1) Δ : **UL 1449** recognized (File # E309297).
- (2) ☆: **cUL (CSA 22.2 #1 certified)** (File # E309297).
- (3) **CQC** recognized for all part numbers (CQC04001010926)

Varistors – 7D Series

Type Number	Maximum Allowable Voltage		Varistor Voltage		Withstanding Surge Current (8/20 μ S)		Max. Voltage (8/20 μ S)		Maximum Energy		Typical Capacitance	Safety Approval
	ACrms	DC	DC Volts		1 time	2 times	Vc	Ip	2ms	10/1000 μ s	@1kHz	
	Volts	Volts	Min	Max	Amps		Volts	Amps	Joules		PF	
SR180K07D	11	14	16	20	250	125	36	2.5	0.8	1	2900	Δ ☆ ◇
SR220K07D	14	18	20	24	250	125	43	2.5	0.9	1.3	2400	Δ ☆ ◇
SR270K07D	17	22	24	30	250	125	53	2.5	1	1.4	1800	Δ ☆ ◇
SR330K07D	20	26	30	36	250	125	65	2.5	1.2	1.7	1500	Δ ☆ ◇
SR390K07D	25	31	35	43	250	125	77	2.5	1.5	2.1	1230	Δ ☆ ◇
SR470K07D	30	38	42	52	250	125	93	2.5	1.8	2.5	950	Δ ☆ ◇
SR560K07D	35	45	50	62	250	125	110	2.5	2.2	3.1	890	Δ ☆ ◇
SR680K07D	40	56	61	75	250	125	135	2.5	2.5	3.8	850	Δ ☆ ◇
SR820K07D	50	66	74	90	1200	600	135	10	3.5	5.5	830	Δ ☆ ◇
SR101K07D	60	85	90	110	1200	600	165	10	4	6.5	730	Δ ☆ ◇
SR121K07D	75	102	108	132	1200	600	200	10	5	7.8	570	Δ ☆ ◇
SR151K07D	95	127	135	165	1200	600	250	10	6.5	9.7	400	Δ ☆ ◇
SR181K07D	120	160	170	207	1200	600	300	10	8.8	12	305	Δ ☆ ◇
SR201K07D	130	175	185	225	1200	600	340	10	10	13	275	Δ ☆ ◇
SR221K07D	140	180	198	242	1200	600	360	10	11	14	250	Δ ☆ ◇
SR241K07D	150	200	216	264	1200	600	395	10	11	16	230	Δ ☆ ◇
SR271K07D	180	230	255	311	1200	600	455	10	12	18	205	Δ ☆ ◇
SR301K07D	195	250	270	330	1200	600	505	10	13	19	185	Δ ☆ ◇
SR331K07D	210	275	297	363	1200	600	540	10	14	20	170	Δ ☆ ◇
SR361K07D	230	300	324	396	1200	600	595	10	15	25	155	Δ ☆ ◇
SR391K07D	250	330	351	429	1200	600	650	10	17	26	145	Δ ☆ ◇
SR431K07D	275	370	387	473	1200	600	710	10	20	28	130	Δ ☆ ◇
SR471K07D	300	385	423	517	1200	600	775	10	21	30	115	Δ ☆ ◇
SR511K07D	320	420	459	561	1200	600	850	10	23	32	88	Δ ☆ ◇
SR561K07D	360	470	522	638	1200	600	960	10	27	39	85	Δ ☆ ◇
SR621K07D	390	505	558	682	1200	600	1040	10	29	43	82	Δ ☆ ◇
SR681K07D	420	560	612	748	1200	600	1120	10	32	45	78	Δ ☆ ◇

Remark:

All parts approved as follows:

- (1) Δ : **UL 1449** recognized (File # E309297).
- (2) ☆: **cUL (CSA 22.2 #1 certified)** (File # E309297).
- (3) ◇: **VDE/CECC 42000/42200/42201, IEC 61051-1/61051-2/61051-2-2** (Certificate # 40010090)
- (4) **CQC** recognized for all part numbers (CQC04001010927)

Varistors – 10D Series

Type Number	Maximum Allowable Voltage		Varistor Voltage		Withstanding Surge Current (8/20 μS)		Max. Voltage (8/20 μS)		Maximum Energy		Typical Capacitance	Safety Approval
	ACrms	DC	DC Volts		1 time	2 times	Vc	Ip	2ms	10/1000μs	@1kHz	
	Volts	Volts	Min	Max	Amps		Volts	Amps	Joules		PF	
SR180K10D	11	14	16	20	500	250	36	5	1.5	2.1	6000	Δ ☆ ◇
SR220K10D	14	18	20	24	500	250	43	5	2	2.5	5000	Δ ☆ ◇
SR270K10D	17	22	24	30	500	250	53	5	2.5	3	4000	Δ ☆ ◇
SR330K10D	20	26	30	36	500	250	65	5	3	4	3500	Δ ☆ ◇
SR390K10D	25	31	35	43	500	250	77	5	3.5	4.6	3100	Δ ☆ ◇
SR470K10D	30	38	42	52	500	250	93	5	4.5	5.5	2800	Δ ☆ ◇
SR560K10D	35	45	50	62	500	250	110	5	5.5	7	2400	Δ ☆ ◇
SR680K10D	40	56	61	75	500	250	135	5	6.5	8.2	2100	Δ ☆ ◇
SR820K10D	50	66	74	90	2500	1250	135	25	8	12	1600	Δ ☆ ◇
SR101K10D	60	85	90	110	2500	1250	165	25	10	15	1400	Δ ☆ ◇
SR121K10D	75	102	108	132	2500	1250	200	25	12	18	1200	Δ ☆ ◇
SR151K10D	95	127	135	165	2500	1250	250	25	16	22	1100	Δ ☆ ◇
SR181K10D	120	160	170	207	2500	1250	300	25	18.5	27.5	700	Δ ☆ ◇
SR201K10D	130	175	185	225	2500	1250	340	25	20	30	640	Δ ☆ ◇
SR221K10D	140	180	198	242	2500	1250	360	25	23	32	600	Δ ☆ ◇
SR241K10D	150	200	216	264	2500	1250	395	25	25	35	560	Δ ☆ ◇
SR271K10D	180	230	255	311	2500	1250	455	25	30	40	500	Δ ☆ ◇
SR301K10D	195	250	270	330	2500	1250	505	25	32	42.5	450	Δ ☆ ◇
SR331K10D	210	275	297	363	2500	1250	540	25	33.5	44.5	415	Δ ☆ ◇
SR361K10D	230	300	324	396	2500	1250	595	25	35	47	380	Δ ☆ ◇
SR391K10D	250	330	351	429	2500	1250	650	25	40	60	350	Δ ☆ ◇
SR431K10D	275	370	387	473	2500	1250	710	25	45	65	310	Δ ☆ ◇
SR471K10D	300	385	423	517	2500	1250	775	25	46	70	280	Δ ☆ ◇
SR511K10D	320	420	459	561	2500	1250	840	25	47	71	260	Δ ☆ ◇
SR561K10D	360	470	522	638	2500	1250	910	25	48	72	240	Δ ☆ ◇
SR621K10D	390	505	558	682	2500	1250	1025	25	49	73	150	Δ ☆ ◇
SR681K10D	420	560	612	748	2500	1250	1120	25	50	74	130	Δ ☆ ◇
SR751K10D	460	615	675	825	2500	1250	1240	25	51	75	120	Δ ☆ ◇
SR781K10D	485	640	702	858	2500	1250	1290	25	52	80	120	Δ ☆ ◇
SR821K10D	510	675	738	902	2500	1250	1350	25	55	85	110	Δ ☆ ◇
SR911K10D	550	745	819	1001	2500	1250	1400	25	60	93	90	Δ ☆ ◇
SR102K10D	625	825	900	1100	2500	1250	1650	25	65	102	80	Δ ☆ ◇
SR112K10D	680	895	962	1175	2500	1250	1800	25	70	115	70	Δ ☆ ◇

Remark:

All parts approved as follows:

- (1) Δ : **UL 1449** recognized (File # E309297).
- (2) ☆: **cUL (CSA 22.2 #1 certified)** (File # E309297).
- (3) ◇: **VDE/CECC 42000/42200/42201, IEC 61051-1/61051-2/61051-2-2** (Certificate # 40010090)
- (4)**CQC** recognized for all part numbers (CQC04001010928)

Varistors – 14D Series

Type Number	Maximum Allowable Voltage		Varistor Voltage		Withstanding Surge Current (8/20 μ S)		Max. Voltage (8/20 μ S)		Maximum Energy		Typical Capacitance	Safety Approval
	ACrms	DC	DC Volts		1 time	2 times	Vc	Ip	2ms	10/1000 μ s	@1kHz	
	Volts	Volts	Min	Max	Amps		Volts	Amps	Joules		PF	
SR180K14D	11	14	16	20	1000	500	36	10	3.5	4	15000	Δ ☆ \diamond
SR220K14D	14	18	20	24	1000	500	43	10	4	5	12000	Δ ☆ \diamond
SR270K14D	17	22	24	30	1000	500	53	10	5	6	8500	Δ ☆ \diamond
SR330K14D	20	26	30	36	1000	500	65	10	6	7.5	7200	Δ ☆ \diamond
SR390K14D	25	31	35	43	1000	500	77	10	7	8.6	6300	Δ ☆ \diamond
SR470K14D	30	38	42	52	1000	500	93	10	8.5	10	5500	Δ ☆ \diamond
SR560K14D	35	45	50	62	1000	500	110	10	10	11	4800	Δ ☆ \diamond
SR680K14D	40	56	61	75	1000	500	135	10	12	14	4000	Δ ☆ \diamond
SR820K14D	50	66	74	90	4500	2250	135	50	15	22	3300	Δ ☆ \diamond
SR101K14D	60	85	90	110	4500	2250	165	50	20	30	2900	Δ ☆ \diamond
SR121K14D	75	102	108	132	4500	2250	200	50	22	34	2600	Δ ☆ \diamond
SR151K14D	95	127	135	165	4500	2250	250	50	30	45	2000	Δ ☆ \diamond
SR181K14D	120	160	170	207	4500	2250	300	50	33	53	1400	Δ ☆ \diamond
SR201K14D	130	175	185	225	4500	2250	340	50	38	60	1370	Δ ☆ \diamond
SR221K14D	140	180	198	242	4500	2250	360	50	40	60	1150	Δ ☆ \diamond
SR241K14D	150	200	216	264	4500	2250	395	50	45	66	1060	Δ ☆ \diamond
SR271K14D	180	230	255	311	4500	2250	455	50	52	72	950	Δ ☆ \diamond
SR301K14D	195	250	270	330	4500	2250	505	50	56	78	890	Δ ☆ \diamond
SR331K14D	210	275	297	363	4500	2250	545	50	63	87	800	Δ ☆ \diamond
SR361K14D	230	300	324	396	4500	2250	595	50	70	98	725	Δ ☆ \diamond
SR391K14D	250	330	351	429	4500	2250	650	50	72	102	665	Δ ☆ \diamond
SR431K14D	275	370	387	473	4500	2250	710	50	75	115	600	Δ ☆ \diamond
SR471K14D	300	385	423	517	4500	2250	775	50	80	125	570	Δ ☆ \diamond
SR511K14D	320	420	459	561	4500	2250	840	50	82	128	530	Δ ☆ \diamond
SR561K14D	360	470	522	638	4500	2250	910	50	85	139	480	Δ ☆ \diamond
SR621K14D	390	505	558	682	4500	2250	1025	50	88	142	270	Δ ☆ \diamond
SR681K14D	420	560	612	748	4500	2250	1120	50	90	142	240	Δ ☆ \diamond
SR751K14D	460	615	675	825	4500	2250	1240	50	100	143	210	Δ ☆ \diamond
SR781K14D	485	640	702	858	4500	2250	1290	50	105	148	205	Δ ☆ \diamond
SR821K14D	510	675	738	902	4500	2250	1350	50	110	157	200	Δ ☆ \diamond
SR911K14D	550	745	819	1001	4500	2250	1400	50	120	175	175	Δ ☆ \diamond
SR102K14D	625	825	900	1100	4500	2250	1620	50	130	190	145	Δ ☆ \diamond
SR112K14D	680	895	962	1175	4500	2250	1800	50	140	215	140	Δ ☆ \diamond

Remark:

All parts approved as follows:

- (1) Δ : **UL 1449** recognized (File # E309297).
- (2) ☆: **cUL (CSA 22.2 #1 certified** (File # E309297).
- (3) \diamond : **VDE/CECC 42000/42200/42201, IEC 61051-1/61051-2/61051-2-2** (Certificate # 40010090)
- (4) #: **VDE/IEC 600950-1, Annex Q** (Certificate # 40010090)
- (5) **CQC** recognized for all part numbers (CQC04001010929)

Varistors – 20D Series

Type Number	Maximum Allowable Voltage		Varistor Voltage		Withstanding Surge Current (8/20 μS)		Max. Voltage (8/20 μS)		Maximum Energy		Typical Capacitance	Safety Approval
	ACrms	DC	DC Volts		1 time	2 times	Vc	Ip	2ms	10/1000μs	@1kHz	
	Volts	Volts	Min	Max	Amps		Volts	Amps	Joules		PF	
SR390K20D	25	31	35	43	2000	1000	77	20	24	26	10000	Δ ☆ ◇
SR470K20D	30	38	42	52	2000	1000	93	20	30	33	9350	Δ ☆ ◇
SR560K20D	35	45	50	62	2000	1000	110	20	35	38	8000	Δ ☆ ◇
SR680K20D	40	56	61	75	2000	1000	135	20	40	43	6800	Δ ☆ ◇
SR820K20D	50	66	74	90	6500	4000	135	100	37	48	5600	Δ ☆ ◇
SR101K20D	60	85	90	110	6500	4000	165	100	38	50	4700	Δ ☆ ◇
SR121K20D	75	102	108	132	6500	4000	200	100	40	55	4100	Δ ☆ ◇
SR151K20D	95	127	135	165	6500	4000	250	100	50	70	3200	Δ ☆ ◇
SR181K20D	120	160	170	207	6500	4000	300	100	60	85	2500	Δ ☆ ◇
SR201K20D	130	175	185	225	6500	4000	340	100	70	95	2200	Δ ☆ ◇
SR221K20D	140	180	198	242	6500	4000	360	100	75	100	2000	Δ ☆ ◇
SR241K20D	150	200	216	264	6500	4000	395	100	82	110	1900	Δ ☆ ◇
SR271K20D	180	230	255	311	6500	4000	455	100	90	127	1700	Δ ☆ ◇
SR301K20D	195	250	270	330	6500	4000	505	100	100	135	1540	Δ ☆ ◇
SR331K20D	210	275	297	363	6500	4000	540	100	110	148	1400	Δ ☆ ◇
SR361K20D	230	300	324	396	6500	4000	595	100	120	163	1320	Δ ☆ ◇
SR391K20D	250	330	351	429	6500	4000	650	100	130	180	1210	Δ ☆ ◇
SR431K20D	275	370	387	473	6500	4000	710	100	140	190	1120	Δ ☆ ◇
SR471K20D	300	385	423	517	6500	4000	775	100	150	220	1000	Δ ☆ ◇
SR511K20D	320	420	459	561	6500	4000	840	100	152	222	950	Δ ☆ ◇
SR561K20D	360	470	522	638	6500	4000	910	100	154	226	900	Δ ☆ ◇
SR621K20D	390	505	558	682	6500	4000	1025	100	158	228	770	Δ ☆ ◇
SR681K20D	420	560	612	748	6500	4000	1120	100	160	230	700	Δ ☆ ◇
SR751K20D	460	615	675	825	6500	4000	1240	100	175	255	640	Δ ☆ ◇
SR781K20D	485	640	702	858	6500	4000	1290	100	180	265	590	Δ ☆ ◇
SR821K20D	510	675	738	902	6500	4000	1350	100	190	282	510	Δ ☆ ◇
SR911K20D	550	745	819	1001	6500	4000	1400	100	215	310	430	Δ ☆ ◇
SR102K20D	625	825	900	1100	6500	4000	1620	100	230	342	380	Δ ☆ ◇
SR112K20D	680	895	962	1175	6500	4000	1800	100	250	383	340	Δ ☆ ◇

Remark:

- (1) Δ : **UL 1449** recognized (File # E309297).
- (2) ☆: **cUL (CSA 22.2 #1 certified)** (File # E309297).
- (3) ◇: **VDE/CECC 42000/42200/42201, IEC 61051-1/61051-2/61051-2-2** (Certificate # 400010090)
- (4) **CQC** recognized for all part numbers (CQC04001010931)

Varistors – 25D Series

Type Number	Maximum Allowable Voltage		Varistor Voltage		Withstanding Surge Current (8/20 μS)		Max. Voltage (8/20 μS)		Maximum Energy		Typical Capacitance	Safety Approval
	ACrms	DC	DC Volts		1 time	2 times	Vc	Ip	2ms	10/1000μs	@1kHz	
	Volts	Volts	Min	Max	Amps		Volts	Amps	Joules		PF	
SR181K25D	120	160	170	207	18000	12000	300	100	90	180	3900	Δ ☆
SR201K25D	130	175	185	225	18000	12000	340	100	100	200	3600	Δ ☆
SR221K25D	140	180	198	242	18000	12000	360	100	105	225	3300	Δ ☆
SR241K25D	150	200	216	264	18000	12000	395	100	110	235	3050	Δ ☆
SR271K25D	180	230	255	311	18000	12000	455	100	120	245	2600	Δ ☆
SR301K25D	195	250	270	330	18000	12000	505	100	125	255	2400	Δ ☆
SR331K25D	210	275	297	363	18000	12000	545	100	130	270	2200	Δ ☆
SR361K25D	230	300	324	396	18000	12000	595	100	160	315	2050	Δ ☆
SR391K25D	250	330	351	429	18000	12000	650	100	175	342	1900	Δ ☆
SR431K25D	275	370	387	473	18000	12000	710	100	190	370	1700	Δ ☆
SR471K25D	300	385	423	517	18000	12000	775	100	200	390	1600	Δ ☆
SR511K25D	320	420	459	561	18000	12000	840	100	210	422	1400	Δ ☆
SR561K25D	360	470	522	638	18000	12000	910	100	215	460	1200	Δ ☆
SR621K25D	390	505	558	682	18000	12000	1025	100	225	495	1800	Δ ☆
SR681K25D	420	560	612	748	18000	12000	1120	100	230	515	1100	Δ ☆
SR751K25D	460	615	675	825	18000	12000	1240	100	250	530	1000	Δ ☆
SR781K25D	485	640	702	858	18000	12000	1290	100	260	540	980	Δ ☆
SR821K25D	510	675	738	902	18000	12000	1350	100	270	550	920	Δ ☆
SR911K25D	550	745	819	1001	18000	12000	1400	100	300	600	880	Δ ☆
SR102K25D	625	825	900	1100	18000	12000	1620	100	340	630	760	Δ ☆
SR112K25D	680	895	962	1175	18000	12000	1800	100	390	700	650	Δ ☆

Remark:

- (1) Δ : **UL 1449** recognized (File # E309297).
- (2) ☆: **cUL (CSA 22.2 #1 certified** (File # E309297).
- (3) **CQC** recognized for all part numbers (CQC04001010932)

Varistors – 5E Series

Part Number	Maximum Allowable Voltage		Varistor Voltage		Withstanding Surge Current (8/20 μS)		Max. Clamping Voltage (8/20 μS)		Maximum Energy	Typical Capacitance	Safety Approval
	ACrms	DC	DC Volts		1 time	2 times	Vc	Ip	10/1000μs	@1kHz	
	Volts	Volts	Min	Max	Amps		Volts	Amps	Joules	PF	
SR820K05E	50	66	74	90	800	600	135	5	3.5	355	Δ ☆
SR181K05E	120	160	170	207	800	600	320	5	8	130	Δ ☆
SR201K05E	130	175	185	225	800	600	340	5	8.5	120	Δ ☆
SR221K05E	140	180	198	242	800	600	360	5	9	110	Δ ☆
SR241K05E	150	200	216	264	800	600	395	5	10.5	100	Δ ☆
SR271K05E	180	230	255	311	800	600	475	5	11	90	Δ ☆
SR301K05E	195	250	270	330	800	600	525	5	12	84	Δ ☆
SR331K05E	210	275	297	363	800	600	540	5	13	75	Δ ☆
SR361K05E	230	300	324	396	800	600	595	5	16	69	Δ ☆
SR391K05E	250	330	351	429	800	600	650	5	17	63	Δ ☆
SR431K05E	275	370	387	473	800	600	710	5	20	57	Δ ☆
SR471K05E	300	385	423	517	800	600	775	5	21	50	Δ ☆
SR511K05E	320	420	459	561	800	600	865	5	22	35	Δ ☆
SR561K05E	360	470	522	638	800	600	960	5	23	32	Δ ☆
SR621K05E	390	505	558	682	800	600	1040	5	25	30	Δ ☆
SR681K05E	420	560	612	748	800	600	1120	5	26	27	Δ ☆

Remark:

All parts approved as follows:

- (1) Δ : **UL 1449** recognized (File # E309297).
- (2) ☆: **cUL (CSA 22.2 #1)** certified (File # E309297).
- (3) **CQC** recognized for all part numbers (CQC04001010926)

Varistors – 7E Series

Part Number	Maximum Allowable Voltage		Varistor Voltage		Withstanding Surge Current (8/20 μS)		Max. Clamping Voltage (8/20 μS)		Maximum Energy	Typical Capacitance	Safety Approval
	ACrms	DC	DC Volts		1 time	2 times	Vc	Ip	10/1000μs	@1kHz	
	Volts	Volts	Min	Max	Amps		Volts	Amps	Joules	PF	
SR820K07E	50	66	74	90	1750	1250	135	10	7	790	Δ ☆ ◇
SR181K07E	120	160	170	207	1750	1250	320	10	16	210	Δ ☆ ◇
SR201K07E	130	175	185	225	1750	1250	340	10	17.5	200	Δ ☆ ◇
SR221K07E	140	180	198	242	1750	1250	360	10	19	190	Δ ☆ ◇
SR241K07E	150	200	216	264	1750	1250	395	10	21	170	Δ ☆ ◇
SR271K07E	180	230	255	311	1750	1250	475	10	24	150	Δ ☆ ◇
SR301K07E	195	250	270	330	1750	1250	525	10	26	140	Δ ☆ ◇
SR331K07E	210	275	297	363	1750	1250	540	10	28	130	Δ ☆ ◇
SR361K07E	230	300	324	396	1750	1250	595	10	32	123	Δ ☆ ◇
SR391K07E	250	330	351	429	1750	1250	650	10	35	116	Δ ☆ ◇
SR431K07E	275	370	387	473	1750	1250	710	10	40	108	Δ ☆ ◇
SR471K07E	300	385	423	517	1750	1250	775	10	42	100	Δ ☆ ◇
SR511K07E	320	420	459	561	1750	1250	865	10	46	78	Δ ☆ ◇
SR561K07E	360	470	522	638	1750	1250	960	10	47	75	Δ ☆ ◇
SR621K07E	390	505	558	682	1750	1250	1040	10	51	72	Δ ☆ ◇
SR681K07E	420	560	612	748	1750	1250	1120	10	57	69	Δ ☆ ◇

Remark:

All parts approved as follows:

- (1) Δ : **UL 1449** recognized (File # E309297).
- (2) ☆: **cUL (CSA 22.2 #1 certified** (File # E309297).
- (3) ◇: **VDE/CECC 42000/42200/42201, IEC 61051-1/61051-2/61051-2-2** (Certificate # 40003435)
- (4) **CQC** recognized for all part numbers (CQC04001010927)

Varistors – 10E Series

Part Number	Maximum Allowable Voltage		Varistor Voltage		Withstanding Surge Current (8/20 μ S)		Max. Clamping Voltage (8/20 μ S)		Maximu Energy	Typical Capacitance	Safety Approval
	ACrms	DC	DC Volts		1 time	2 times	Vc	Ip	10/1000 μ s	@1kHz	
	Volts	Volts	Min	Max	Amps		Volts	Amps	Joules	PF	
SR820K10E	50	66	74	90	3500	2500	135	25	14	1780	Δ ☆ \diamond
SR181K10E	120	160	170	207	3500	2500	320	25	33	460	Δ ☆ \diamond
SR201K10E	130	175	185	225	3500	2500	340	25	35	430	Δ ☆ \diamond
SR221K10E	140	180	198	242	3500	2500	360	25	39	410	Δ ☆ \diamond
SR241K10E	150	200	216	264	3500	2500	395	25	42	380	Δ ☆ \diamond
SR271K10E	180	230	255	311	3500	2500	475	25	49	350	Δ ☆ \diamond
SR301K10E	195	250	270	330	3500	2500	525	25	53	320	Δ ☆ \diamond
SR331K10E	210	275	297	363	3500	2500	540	25	58	300	Δ ☆ \diamond
SR361K10E	230	300	324	396	3500	2500	595	25	65	285	Δ ☆ \diamond
SR391K10E	250	330	351	429	3500	2500	650	25	70	270	Δ ☆ \diamond
SR431K10E	275	370	387	473	3500	2500	710	25	80	255	Δ ☆ \diamond
SR471K10E	300	385	423	517	3500	2500	775	25	85	230	Δ ☆ \diamond
SR511K10E	320	420	459	561	3500	2500	865	25	92	210	Δ ☆ \diamond
SR561K10E	360	470	522	638	3500	2500	960	25	97	170	Δ ☆ \diamond
SR621K10E	390	505	558	682	3500	2500	1040	25	107	146	Δ ☆ \diamond
SR681K10E	420	560	612	748	3500	2500	1120	25	110	136	Δ ☆ \diamond
SR751K10E	460	615	675	825	3500	2500	1240	25	115	124	Δ ☆ \diamond
SR781K10E	485	640	702	858	3500	2500	1290	25	120	120	Δ ☆ \diamond
SR821K10E	510	675	738	902	3500	2500	1350	25	125	110	Δ ☆ \diamond
SR911K10E	550	745	819	1001	3500	2500	1400	25	130	90	Δ ☆ \diamond
SR102K10E	625	725	900	1100	3500	2500	1620	25	145	80	Δ ☆ \diamond
SR112K10E	680	895	962	1175	3500	2500	1800	25	155	70	Δ ☆ \diamond

Remark:

All parts approved as follows:

- (1) Δ : **UL 1449** recognized (File # E309297).
- (2) ☆: **cUL (CSA 22.2 #1 certified** (File # E309297).
- (3) \diamond : **VDE/CECC 42000/42200/42201, IEC 61051-1/61051-2/61051-2-2** (Certificate # 40003435)
- (4) **CQC** recognized for all part numbers (CQC04001010928)

Varistors – 14E Series

Part Number	Maximum Allowable Voltage		Varistor Voltage		Withstanding Surge Current (8/20 μ S)		Max. Clamping Voltage (8/20 μ S)		Maximu Energy	Typical Capacitance	Safety Approval
	ACrms	DC	DC Volts		1 time	2 times	Vc	Ip	10/1000 μ s	@1kHz	
	Volts	Volts	Min	Max	Amps		Volts	Amps	Joules	PF	
SR820K14E	50	66	74	90	6000	5000	135	50	28	3310	Δ \star \diamond
SR181K14E	120	160	170	207	6000	5000	320	50	56	800	Δ \star \diamond
SR201K14E	130	175	185	225	6000	5000	340	50	70	770	Δ \star \diamond
SR221K14E	140	180	198	242	6000	5000	360	50	78	740	Δ \star \diamond
SR241K14E	150	200	216	264	6000	5000	395	50	84	700	Δ \star \diamond
SR271K14E	180	230	255	311	6000	5000	475	50	99	640	Δ \star \diamond
SR301K14E	195	250	270	330	6000	5000	525	50	107	620	Δ \star \diamond
SR331K14E	210	275	297	363	6000	5000	540	50	115	580	Δ \star \diamond
SR361K14E	230	300	324	396	6000	5000	595	50	140	540	Δ \star \diamond
SR391K14E	250	330	351	429	6000	5000	650	50	150	500	Δ \star \diamond
SR431K14E	275	370	387	473	6000	5000	710	50	165	460	Δ \star \diamond
SR471K14E	300	385	423	517	6000	5000	775	50	175	400	Δ \star \diamond
SR511K14E	320	420	459	561	6000	5000	865	50	190	350	Δ \star \diamond
SR561K14E	360	470	522	638	6000	5000	960	50	210	320	Δ \star \diamond
SR621K14E	390	505	558	682	6000	5000	1040	50	215	270	Δ \star \diamond
SR681K14E	420	560	612	748	6000	5000	1120	50	225	250	Δ \star \diamond
SR751K14E	460	615	675	825	6000	5000	1240	50	230	230	Δ \star \diamond
SR781K14E	485	640	702	858	6000	5000	1290	50	235	210	Δ \star \diamond
SR821K14E	510	675	738	902	6000	5000	1350	50	240	190	Δ \star \diamond
SR911K14E	550	745	819	1001	6000	5000	1400	50	255	170	Δ \star \diamond
SR102K14E	625	725	900	1100	6000	5000	1620	50	290	165	Δ \star \diamond
SR112K14E	680	895	962	1175	6000	5000	1800	50	310	140	Δ \star \diamond

Remark:

All parts approved as follows:

- (1) Δ : **UL 1449** recognized (File # E309297).
- (2) \star : **cUL (CSA 22.2 #1 certified)** (File # E309297).
- (3) \diamond : **VDE/CECC 42000/42200/42201, IEC 61051-1/61051-2/61051-2-2** (Certificate # 40003435)
- (4) # : **VDE/IEC 600950-1, Annex Q** (Certificate # 40003435)
- (5) **CQC** recognized for all part numbers (CQC04001010929)

Varistors – 20E Series

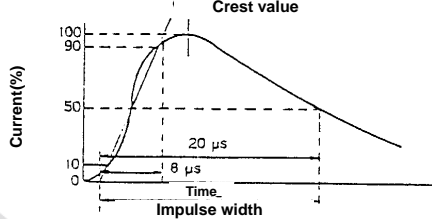
Part Number	Maximum Allowable Voltage		Varistor Voltage		Withstanding Surge Current (8/20 μ S)		Max. Clamping Voltage (8/20 μ S)		Maximu Energy	Typical Capacitan ce	Safety Approval
	ACrms	DC	DC Volts		1 time	2 times	Vc	Ip	10/1000 μ s	@1kHz	
	Volts	Volts	Min	Max	Amps		Volts	Amps	Joules	PF	
SR820K20E	50	66	74	90	10000	6500	135	100	56	5300	Δ \star \diamond
SR181K20E	120	160	170	207	12000	7500	320	100	135	1800	Δ \star \diamond
SR201K20E	130	175	185	225	12000	7500	340	100	140	1700	Δ \star \diamond
SR221K20E	140	180	198	242	12000	7500	360	100	155	1600	Δ \star \diamond
SR241K20E	150	200	216	264	12000	7500	395	100	170	1500	Δ \star \diamond
SR271K20E	180	230	255	311	12000	7500	455	100	190	1300	Δ \star \diamond
SR301K20E	195	250	270	330	12000	7500	525	100	210	1200	Δ \star \diamond
SR331K20E	210	275	297	363	12000	7500	540	100	228	1100	Δ \star \diamond
SR361K20E	230	300	324	396	12000	7500	595	100	275	1050	Δ \star \diamond
SR391K20E	250	330	351	429	12000	7500	650	100	305	1000	Δ \star \diamond
SR431K20E	275	370	387	473	12000	7500	710	100	330	950	Δ \star \diamond
SR471K20E	300	385	423	517	12000	7500	775	100	350	900	Δ \star \diamond
SR511K20E	320	420	459	561	12000	7500	865	100	382	800	Δ \star \diamond
SR561K20E	360	470	522	638	12000	7500	960	100	395	760	Δ \star \diamond
SR621K20E	390	505	558	682	12000	7500	1040	100	410	710	Δ \star \diamond
SR681K20E	420	560	612	748	12000	7500	1120	100	423	670	Δ \star \diamond
SR751K20E	460	615	675	825	12000	7500	1240	100	435	620	Δ \star \diamond
SR781K20E	485	640	702	858	12000	7500	1290	100	450	580	Δ \star \diamond
SR821K20E	510	675	738	902	12000	7500	1350	100	460	530	Δ \star \diamond
SR911K20E	550	745	819	1001	12000	7500	1400	100	510	470	Δ \star \diamond
SR102K20E	625	725	900	1100	12000	7500	1620	100	560	425	Δ \star \diamond
SR112K20E	680	895	962	1175	12000	7500	1800	100	620	380	Δ \star \diamond

Remark:

All parts approved as follows:

- (1) Δ : **UL 1449** recognized (File # E309297).
- (2) \star : **cUL (CSA 22.2 #1 certified)** (File # E309297).
- (3) \diamond : **VDE/CECC 42000/42200/42201, IEC 61051-1/61051-2/61051-2-2** (Certificate # 40003435)
- (4) **CQC** recognized for all part numbers (CQC04001010931)

Performance Characteristics

Characteristics	Test Method and Specifications
Standard Test Condition	Temperature range : 5 to 35°C Relative humidity : 45 to 85% R.H.
Varistor Voltage	Voltage across the varistor measured at 1 mA DC rectangular pulse current
Maximum Allowable Voltage	Maximum continuous sinusoidal rms voltage or DC voltage which may be applied within the specified environmental temperature range
Maximum Clamping Voltage	Peak voltage across the varistor under condition of a specified standard impulse current (8/20 μ s) <div style="text-align: right;">  </div>
Withstanding Surge Current	Maximum current across the varistor measured at a given standard waveform (8/20 μ s) applied one time or two times with the varistor voltage less than $\pm 10\%$
Rated Transient Average Power Dissipation	Maximum average power which may be dissipated due to a group of pulses occurring within a specified isolated time period, without causing device failure
Maximum Energy	The maximum energy within the varistor voltage change of $\pm 10\%$ when one impulse of 2ms or 10/1000 μ s is applied
Capacitance (Reference)	Capacitance between the terminals of the varistor measured at 1 kHz, 1 Vrms, zero bias and room temperature (Exception 100pF below measured at 1MHz)
Temperature Coefficient of Varistor Voltage	$(V \text{ at } 85^\circ\text{C} - V \text{ at } 25^\circ\text{C}) / (V \text{ at } 25^\circ\text{C} \times 60) \times 100(\%/^\circ\text{C})$ should be less than $-0.05\%/^\circ\text{C}$
Withstanding Voltage (Body insulation)	The specified voltage shall be applied both terminals of the varistor connected together and metal foil closely wrapped round its body for 1 min without breakdown

Performance Characteristics

Impulse Life	The variation of varistor voltage should less than $\pm 10\%$ after the impulse listed below is applied 10000 times continuously with the interval of 10 sec at room temperature		
	5D	SR180K05D TO SR680K05D	0.5A(2ms)
	series	SR820K05D TO SR471K05D	20A(8/20 μ S)
		7D	SR180K07D TO SR680K07D
	series	SR820K07D TO SR471K07D	50A(8/20 μ S)
		10D	SR180K10D TO SR680K10D
	series	SR820K10D TO SR112K10D	100A(8/20 μ S)
		14D	SR180K14D TO SR680K14D
	series	SR820K14D TO SR112K14D	150A(8/20 μ S)
		20D	SR180K20D TO SR680K20D
	series	SR820K20D TO SR112K20D	200A(8/20 μ S)
		25D series	SR181K25D TO SR112K25D
	5E	SR180K05E TO SR680K05E	2.5A(2ms)
		series	SR820K05E TO SR471K05E
	7E		SR180K07E TO SR680K07E
	series	SR820K07E TO SR471k07E	73A(8/20 μ S)
		10E	SR180K10E TO SR680K10E
	series	SR820K10E TO SR112K10E	150A(8/20 μ S)
		14E	SR180K14E TO SR680K14E
	series	SR820K14E TO SR112K14E	200A(8/20 μ S)
20E		SR180K20E TO SR680K20E	150A(8/20 μ S)
series	SR820K20E TO SR112K20E	275A(8/20 μ S)	

Mechanical Ratings

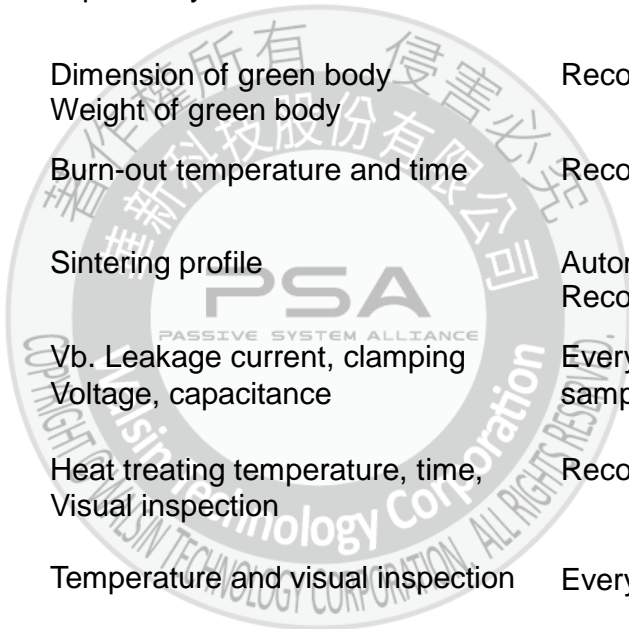
Characteristics	Test Method and Specification								
Terminal Pull Strength	<p>JIS-C-0051</p> <p>The two terminals shall be no outstanding damage visually after gradually applying the force listed below</p> <table border="1" data-bbox="587 327 1311 512"> <thead> <tr> <th data-bbox="587 327 951 371">Terminal Diameter</th> <th data-bbox="951 327 1311 371">Force</th> </tr> </thead> <tbody> <tr> <td data-bbox="587 371 951 416">0.6mm</td> <td data-bbox="951 371 1311 416">9.8 N (1.0kgf)</td> </tr> <tr> <td data-bbox="587 416 951 461">0.8mm</td> <td data-bbox="951 416 1311 461">9.8 N (1.0kgf)</td> </tr> <tr> <td data-bbox="587 461 951 512">1.0mm</td> <td data-bbox="951 461 1311 512">19.6 N (2.0kgf)</td> </tr> </tbody> </table>	Terminal Diameter	Force	0.6mm	9.8 N (1.0kgf)	0.8mm	9.8 N (1.0kgf)	1.0mm	19.6 N (2.0kgf)
Terminal Diameter	Force								
0.6mm	9.8 N (1.0kgf)								
0.8mm	9.8 N (1.0kgf)								
1.0mm	19.6 N (2.0kgf)								
Terminal Bendin Strength	<p>JIS-C-0051</p> <p>Hold the specimen and keep its lead-out axis vertical Suspend 1 Kg weight on the terminal. Bend the specimen through 90° then return to the original position. Repeat the procedure in the opposite direction. Test and examine every terminal.</p>								
Vibration	<p>JIS-C-0040</p> <p>Varistors subjected to simple harmonic motion of 0.75mm amplitude between limits of 10-55 HZ. Frequency scan shall be traversed in 1 min. This motion shall then be applied for period of 2 Hrs in each of three mutually perpendicular directions. Thereafter, varistors shall be no outstanding damage visually.</p>								
Solderability	<p>JIS-C-5102</p> <p>The two terminals shall be covered uniformly with solder approximately 95% after dipping the terminals to a depth of approximately 3 mm from the body in a soldering bath of 260±5° C for 2±0.5 sec.</p>								
Resistance to Soldering Heat	<p>JIS-C-5102</p> <p>Varistors shall be no outstanding damage and the variation varistor voltage should be less than ±5% ($\Delta V_B/V_B = \pm 5\%$) after each lead shall be dipped into a solder bath having a temperature 300±5° C to a point 2.0 to 2.5 mm from the body of the unit, using the shielding board (thickness 1.5 mm), be held there for a specified time(5D series 5±1sec.the other series 10±1sec), and then be stored at room ambient for 1 to 2 Hrs.</p>								

Environment and Endurance Rating

Characteristics	Test Method and Specifications															
Dry Heat (High Temperature)	JIS-C-5023 Varistors shall be subjected to $125\pm 2^{\circ}\text{C}$, for 1000 Hrs in a thermostatic bath without load and then stored at room ambient condition for 1 to 2 Hrs. The variation of varistor voltage should be less than $\pm 5\%$ ($\Delta V_B/V_B = \pm 5\%$).															
Damp Heat (Humidity)	JIS-C-5023 Varistors shall be subjected to $40\pm 2^{\circ}\text{C}$, 90 to 95%R.H. for 1000 Hrs in a thermostatic bath without load and then stored at room ambient condition for 1 to 2 Hrs. The variation of varistor voltage should be less then $\pm 5\%$ ($\Delta V_B/V_B = \pm 5\%$).															
Cold (Low Temperature Storage)	JIS-C-5021 Varistors shall be subjected to $-40\pm 2^{\circ}\text{C}$ for 1000 Hrs in a thermostatic bath without load and then stored at room ambient condition for 1 to 2 Hrs. The variation of varistor voltage should be less than $\pm 5\%$ ($\Delta V_B/V_B = \pm 5\%$).															
Temperature Cycle (Thermal shock)	<p>JIS-C-5030 The temperature cycling listed below shall be repeated 5 times and the variation of varistor voltage should be less than $\pm 5\%$ and no outstanding damage visually.</p> <table border="1" style="margin-left: auto; margin-right: auto; border-collapse: collapse;"> <thead> <tr> <th>Step</th> <th>Temperature($^{\circ}\text{C}$)</th> <th>Time(minutes)</th> </tr> </thead> <tbody> <tr> <td style="text-align: center;">1</td> <td style="text-align: center;">-40 ± 2</td> <td style="text-align: center;">30 ± 2</td> </tr> <tr> <td style="text-align: center;">2</td> <td style="text-align: center;">Room Temp.</td> <td style="text-align: center;">3 max.</td> </tr> <tr> <td style="text-align: center;">3</td> <td style="text-align: center;">125 ± 2</td> <td style="text-align: center;">30 ± 2</td> </tr> <tr> <td style="text-align: center;">4</td> <td style="text-align: center;">Room Temp.</td> <td style="text-align: center;">3 max.</td> </tr> </tbody> </table>	Step	Temperature($^{\circ}\text{C}$)	Time(minutes)	1	-40 ± 2	30 ± 2	2	Room Temp.	3 max.	3	125 ± 2	30 ± 2	4	Room Temp.	3 max.
Step	Temperature($^{\circ}\text{C}$)	Time(minutes)														
1	-40 ± 2	30 ± 2														
2	Room Temp.	3 max.														
3	125 ± 2	30 ± 2														
4	Room Temp.	3 max.														
Dry Heat Load (High Temperature)	JIS-C-5036 Varistors shall be subjected to $85\pm 2^{\circ}\text{C}$ for 1000 Hrs in a thermostatic bath with maximum allowable voltage continuously applied and then stored at room ambient condition for 1 to 2 Hrs. The variation of varistor voltage should be less than $\pm 10\%$ ($\Delta V_B/V_B = \pm 10\%$)															

THE PROCESS CONTROL OF VARISTOR

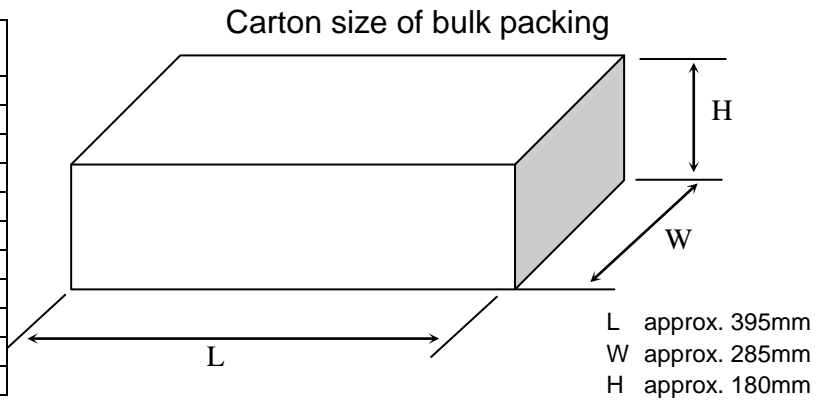
<u>Process</u>	<u>Inspection Items</u>	<u>Control Method</u>
Raw materials	Product line test	IQC report
Weighing	Weight Weighing accuracy control	Record check Periodical calibration
Wet mixing	Solid content Mixing time	Record and check
Spray drying	Rheology and viscosity of slurry Slurry density Spray drying conditions	Record and check
Granulated powder	Moisture content, flowability, Tap density	Sampling test
Forming	Dimension of green body Weight of green body	Record and check
Binder Burn-out	Burn-out temperature and time	Record and check
Sintering	Sintering profile	Automatic record and monitor Record and check
Electrical test	Vb. Leakage current, clamping Voltage, capacitance	Every batch by sampling
Electrode applying	Heat treating temperature, time, Visual inspection	Record and check
Soldering & Coating	Temperature and visual inspection	Every batch
Cutting Leads	Visual inspection, Lead length	Every batch 100%
Final test	Electrical: Vb, leakage current, alpha	Every batch 100%
Marking	Visual inspection	Every batch
Quality control	Vb, leakage current, alpha, Clamping voltage, surge test, Dimension, solderability	Every batch sampling
Packing & Shipment	PO #, Customer name, Quantity, P/N, address	Every shipment



Packing Method (5 - 25 Series)

A. Bulk Packing:

Disk size mm	Voltage BDV	Q'ty pcs/bag	Q'ty pcs/ Carton
5	All	1000	10000
7	All	500	5000
10	180K-471K	500	5000
	Above 511K	300	3000
14	180K-751K	300	3000
	Above 821K	200	2000
18	All	200	2000
20	180K-621K	100	1000
	Above 681K	50	500
25	181K-621K	50	500
	Above 681K	30	300

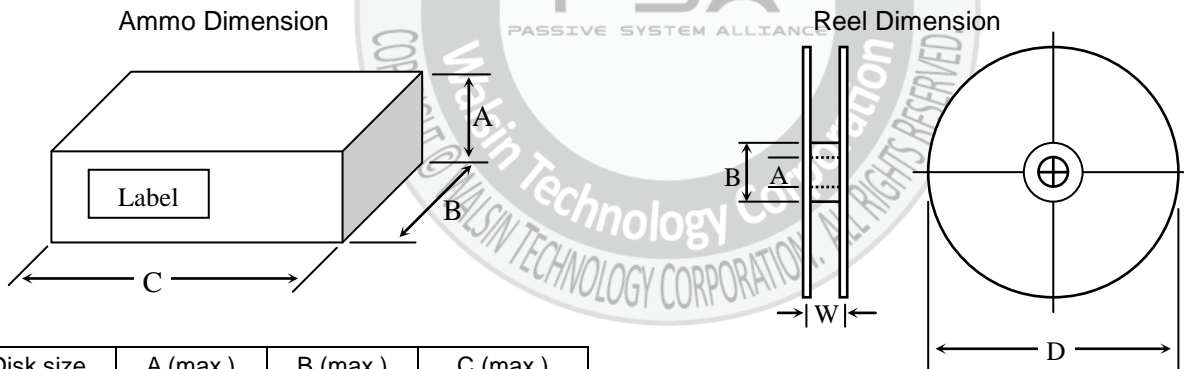


B. Tape and Reel:

Disk Size	Varistor Voltage	AMMO BOX		REEL		
		PCS / BOX	BOX / CARTON	PCS / REEL	REELS / BOX	BOX / CARTON
5	≤ 431K	1500	10	1500	2	5
5	≥ 471K	1000	10	1000	2	5
7	≤ 431K	1500	10	1500	2	5
7	≥ 471K	1000	10	1000	2	5
10	≤ 431K	500	10	500	2	5
10	≥ 471K	300	10	300	2	5
14	≤ 431K	500	8	500	2	5
14	≥ 471K	300	8	300	2	5
18	≤ 431K	500	8	500	2	5
18	≥ 471K	300	8	300	2	5
20	≤ 431K	500	8	500	2	5
20	≥ 471K	300	8	300	2	5

Note: Ammo box and reel quantities may vary. Please contact sales for details.

■ Dimensions of Ammo Box and Reel:



Disk size	A (max.)	B (max.)	C (max.)
5	50mm	270mm	350mm
7	50mm	270mm	350mm
10	70mm	270mm	370mm
14	70mm	270mm	370mm
18, 20	70mm	270mm	370mm

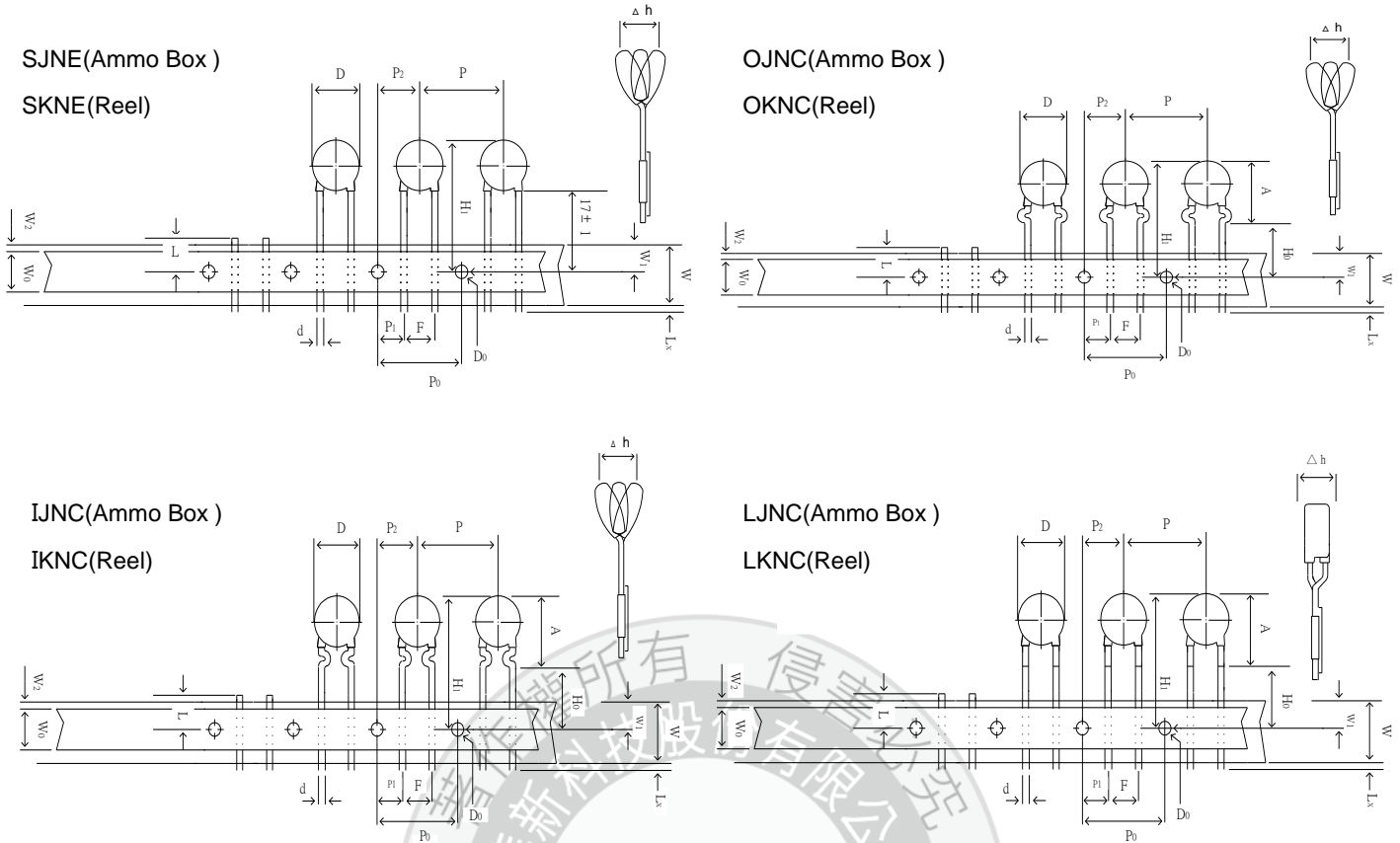
W approx. 50mm
D 350φ max
A approx. 30φ
B approx. 95φ

■ Taping Code:

Varistor series	Lead spacing	Packing type	Lead type			
			Straight	Outward crimped	Inward crimped	Inline crimped
5D, 5E	5 mm	Ammo Reel	JNE	JNC	JNC	JNC
			KNE	KNC	KNC	KNC
7D, 7E	5 mm	Ammo Reel	JNE	JNC	JNC	JNC
			KNE	KNC	KNC	KNC
10D, 10E	7.5 mm	Ammo Reel	AMG	AMG	AMD	AMD
			TMG	TMG	YMD	TMD
14D, 14E	7.5 mm	Ammo Reel	AMG	AMG	AMD	AMD
			TMG	TMG	TMD	TMD
18E	7.5 mm	Ammo Reel	AMG	AMG	AMD	AMD
			TMG	TMG	TMD	TMD
20D, 20E	7.5/10 mm	Ammo Reel	AMG	AMG	AMD	AMD
			TMG	TMG	TMD	TMD

For 18E Series, we provide 7.5mm lead spacing only.

Taping Specifications - 5 and 7

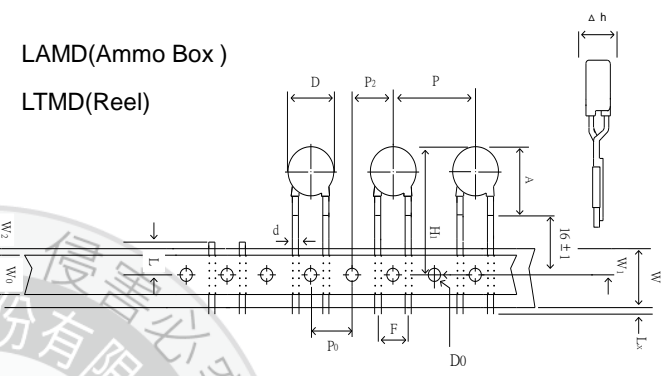
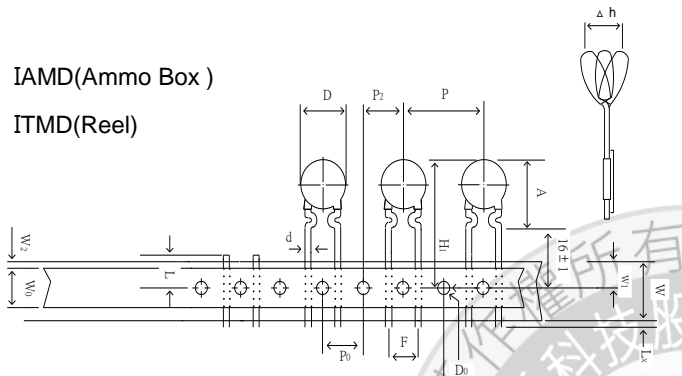
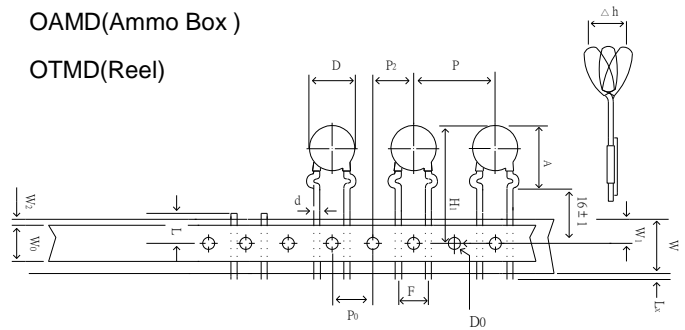
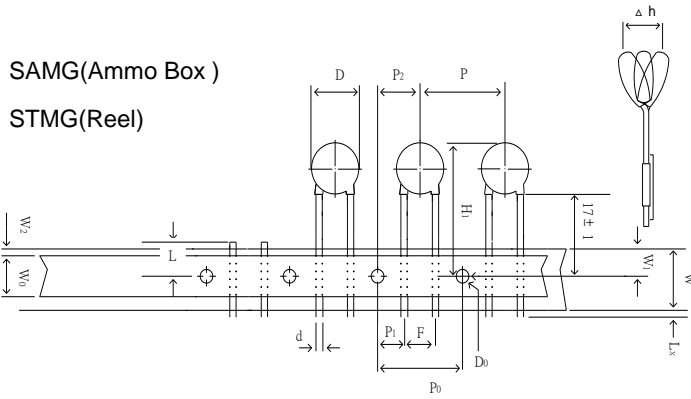


Item		Disk Size			
		5Φ (5D, 5E)		7Φ (7D, 7E)	
Taping Code		SJNE, SKNE	JNC, KNC	SJNE, SKNE	JNC, KNC
Body Diameter	D	7Max	7Max	9Max	9Max
Lead Wire Diameter	d	0.6±0.05	0.6±0.05	0.6±0.05	0.6±0.05
Pitch of Component	P	12.7±1	12.7±1	12.7±1	12.7±1
Feed Hole Pitch	P0	12.7±0.3	12.7±0.3	12.7±0.3	12.7±0.3
Feed Hole Center to Lead	P1	3.85±0.7	3.85±0.7	3.85±0.7	3.85±0.7
Lead to Lead Distance (Center to Center)	F	5.0±0.8	5.0±0.8	5.0±0.8	5.0±0.8
Component Alignment	Δh	2.0Max	2.0Max	2.0Max	2.0Max
Base paper Tape Width	W	18+1.0/-0.5	18+1.0/-0.5	18+1.0/-0.5	18+1.0/-0.5
Adhesive Tape Width	W0	10Min	10Min	10Min	10Min
Hole Position	W1	9±0.5	9±0.5	9±0.5	9±0.5
Adhesive Tape Border	W2	1.5Max	1.5Max	1.5Max	1.5Max
Component Height	H1	30Max	30Max	32Max	32Max
Lead-Wire Clinch Height	H0	—	16±0.5	—	16±0.5
Lead-Wire Protrusion	Lx	1.0Max	1.0Max	1.0Max	1.0Max
Feed Hole Diameter	D0	4±0.2	4±0.2	4±0.2	4±0.2
Total Tape Thickness	t	< 0.7	< 0.7	< 0.7	< 0.7
Length of Clipped Lead	L	11Max	11Max	11Max	11Max
Component Height from Seating Plane	A	—	13Max	—	15Max
Hole Center to Component Center	P2	6.35±0.7	6.35±0.7	6.35±0.7	6.35±0.7

Based on EIA-468-B Specification

All dimensions are in millimeters.

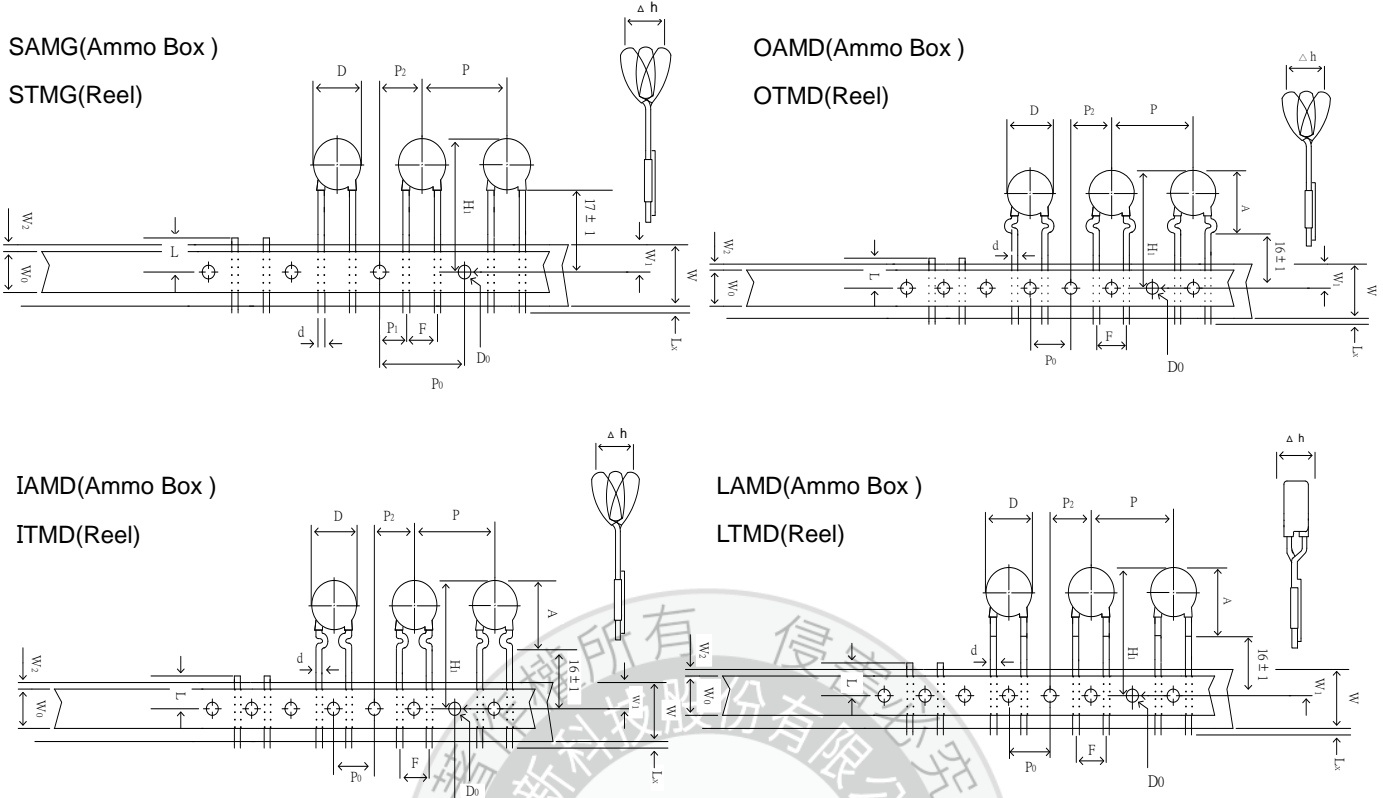
Taping Specifications - 10 and 14



Item		Disk Size				
		10 Φ (10D, 10E)			14 Φ (14D, 14E)	
Taping Code		SAMG, STMG	OAMD, OTMD IAMD, ITMD	LAMD, LTMD	SAMG, STMG	AMD, TMD
Body Diameter	D	14Max	14Max	14Max	17.5Max	17.5Max
Lead Wire Diameter	d	0.8±0.05	0.8±0.05	0.8±0.05	0.8±0.05	0.8±0.05
Pitch of Component	P	25.4±1	25.4±1	25.4±1	25.4±1	25.4±1
Hole Center to Component Center	P ₂	12.7±0.3	12.7±0.3	12.7±0.3	12.7±0.3	12.7±0.3
Feed Hole Pitch	P ₀	12.7±0.3	12.7±0.3	12.7±0.3	12.7±0.3	12.7±0.3
Lead to Lead Distance (Center to Center)	F	7.5±0.8	7.5±0.8	7.5±0.8	7.5±0.8	7.5±0.8
Component Alignment	Δh	2.0Max	2.0Max	2.0Max	2.0Max	2.0Max
Base paper Tape Width	W	18+1.0/-0.5	18+1.0/-0.5	18+1.0/-0.5	18+1.0/-0.5	18+1.0/-0.5
Adhesive Tape Width	W ₀	10Min	10Min	10Min	10Min	10Min
Hole Position	W ₁	9±0.5	9±0.5	9±0.5	9±0.5	9±0.5
Adhesive Tape Border	W ₂	1.5Max	1.5Max	1.5Max	1.5Max	1.5Max
Component Height	H ₁	33Max	38.5Max	35.5Max	37Max	40Max
Lead-Wire Protrusion	L _x	1.0Max	1.0Max	1.0Max	1.0Max	1.0Max
Feed Hole Diameter	D ₀	4±0.2	4±0.2	4±0.2	4±0.2	4±0.2
Total Tape Thickness	t	< 0.7	< 0.7	< 0.7	< 0.7	< 0.7
Length of Clipped Lead	L	11Max	11Max	11Max	11Max	11Max
Component Height from Seating Plane	A	—	19.5Max	19.5Max	—	22.5Max

Based on EIA-468-B Specification
All dimensions are in millimeters.

Taping Specifications - 18 and 20



Item	Disk Size					
	20Φ (20D, 20E), 18Φ (18E)			20Φ (20D, 20E)		
	Lead Spacing 7.5 mm			Lead Spacing 10.0 mm		
Taping Code	SAMG, STMG	OAMD, OTMD IAMD, ITMD	LAMD, LTMD	SAMG, STMG	OAMD, OTMD IAMD, ITMD	LAMD, LTMD
Body Diameter	D	24Max*	24Max*	24Max*	24Max*	24Max*
Lead Wire Diameter	d	0.8±0.05	0.8±0.05	0.8±0.05	0.8±0.05	1.0±0.05
Pitch of Component	P	25.4±1	25.4±1	25.4±1	25.4±1	25.4±1
Feed Hole Pitch	P0	12.7±0.3	12.7±0.3	12.7±0.3	12.7±0.3	12.7±0.3
Hole Center to Component Center	P2	12.7±0.3	12.7±0.3	12.7±0.3	12.7±0.3	12.7±0.3
Lead to Lead Distance (Center to Center)	F	7.5±0.8	7.5±0.8	7.5±0.8	10.0±1.0	10.0±1.0
Component Alignment	Δh	2.0Max	2.0Max	2.0Max	2.0Max	2.0Max
Base paper Tape Width	W	18+1.0/-0.5	18+1.0/-0.5	18+1.0/-0.5	18+1.0/-0.5	18+1.0/-0.5
Adhesive Tape Width	W0	10Min	10Min	10Min	10Min	10Min
Hole Position	W1	9±0.5	9±0.5	9±0.5	9±0.5	9±0.5
Adhesive Tape Border	W2	1.5Max	1.5Max	1.5Max	1.5Max	1.5Max
Component Height	H1	48Max*	48Max*	48Max*	48Max*	48Max*
Lead-Wire Protrusion	LX	1.0Max	1.0Max	1.0Max	1.0Max	1.0Max
Feed Hole Diameter	D0	4±0.2	4±0.2	4±0.2	4±0.2	4±0.2
Total Tape Thickness	t	< 0.7	< 0.7	< 0.7	< 0.7	< 0.7
Length of Clipped Lead	L	11Max	11Max	11Max	11Max	11Max
Component Height from Seating Plane	A	—	29Max*	28Max*	—	29Max

Based on EIA-468-B Specification
All dimensions are in millimeters.

* For 18Φ, D=20.0max, H1=46max and A=26max.

Manufacturing location

Pan Overseas (Guangzhou) Electronics Co., Ltd.

No. 277 Hongming Road, East Section, Guangzhou Econ. & Tech. Development Zone, China

Tel: +86-20-82237476

Fax: +86-20-82237475



单击下面可查看定价，库存，交付和生命周期等信息

[>>Walsin Technology\(华新科技\(华科\)\)](#)