

I-T Characteristics / 時間-電流特性

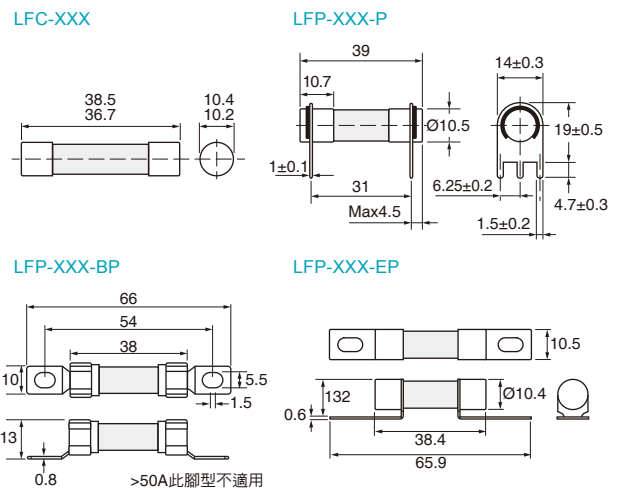
% of Ampere Rating 額定電流%	Opening Time 熔斷時間
200%	2 min Max. / 最長2分鐘



Product Features / 產品特性

Operating Temperature 操作溫度	Operating temperature / 操作溫度範圍: -55°C~125°C When choosing the fuses specification, if the operating environmental temperature beyond the scope from 20~30°C, you should consider the environmental temperature's affection to fuses. 若貴司操作環境溫度超出25±5°C範圍, 在選用保險絲規格時, 需考慮操作環境溫度對保險絲的影響。
Storage Conditions 儲存條件	Under airtight in temperature +10°C~60°C、relative humidity ≤75% can store 3 years. 在溫度+10°C~60°C、相對濕度≤75%的密封條件下可存放3年。 Without dew in temperature+10°C~60°C、relative humidity be 95% maximum value for 30 days. 在溫度+10°C~60°C、相對濕度為95%的非露天下最多可存放30天。
Installation Way & Parameters 安裝方式及條件	Stud-mount / 螺絲安裝
	Wave soldering parameters / 波峰焊 Solder pot temperature / 錫爐溫度: 260±3°C Max Solder dwell time / 焊接時間: 10s Max
	Hand welding parameters / 手工焊 Solder iron temperature / 烙鐵溫度: 350±5°C Heating time / 焊接時間: 5s Max

Dimensions / 尺寸圖 (Unit / 單位:mm)



Electrical Characteristics / 電氣特性

Type 品名	Ordering P / N 料號				Rated Current 額定電流	Breaking Capacity 分斷能力	Safety Approvals 安全認證
LFC LFP	LFC-XXX	LFC-XXX-P	LFP-XXX-BP	LFP-XXX-EP			cUL [®] US
	LFC-31.5	LFC-31.5-P	LFP-31.5-BP	-	31.5A	500VAC / 1500A 125VDC / 1500A	●
	LFC-32	LFC-32-P	LFP-32-BP	-	32A		●
	LFC-40	LFC-40-P	LFP-40-BP	-	40A		●
	LFC-50	LFC-50-P	LFP-50-BP	-	50A	250VAC / 2500A 125VDC / 1500A	●
	LFC-63	LFC-63-P	-	-	63A		●
	LFC-80	LFC-80-P	-	-	80A		●
	-	-	-	LFP-63-EP	63A		●
-	-	-	LFP-80-EP	80A			

单击下面可查看定价，库存，交付和生命周期等信息

[>>Walter\(华德\)](#)