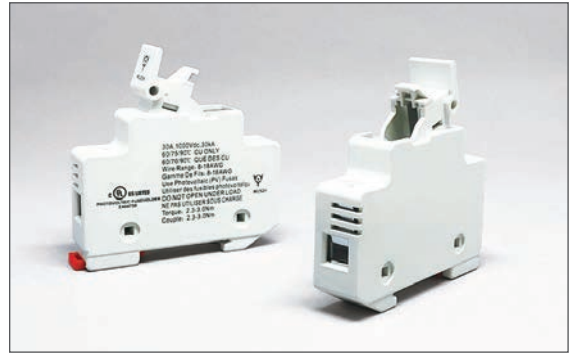
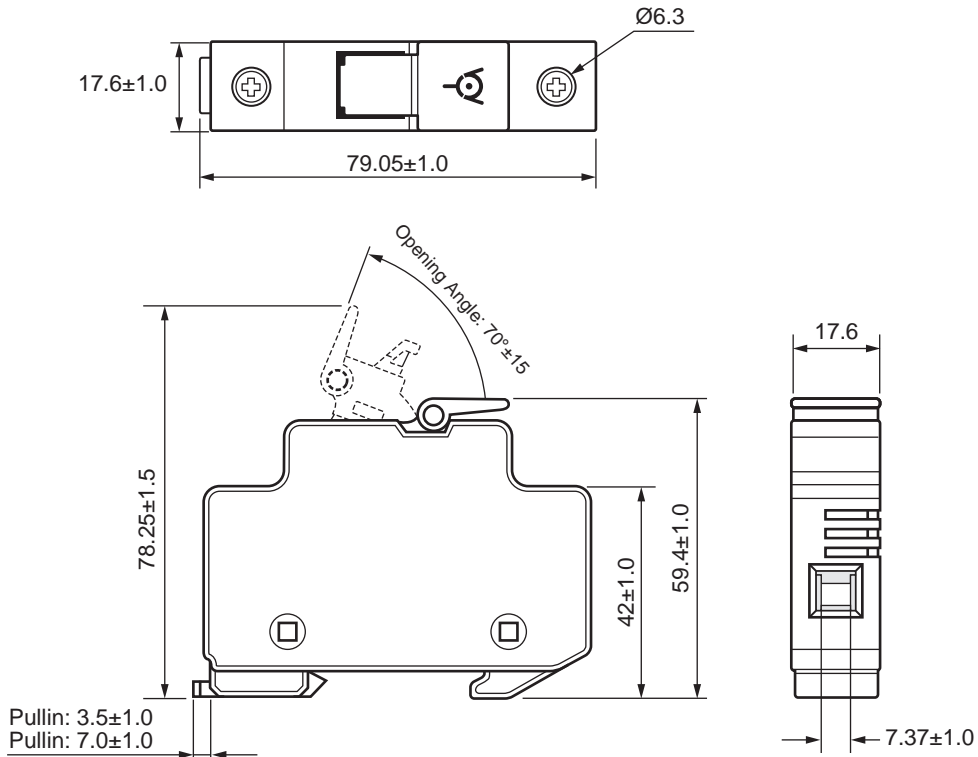


Product Features / 產品特性

Fuse 對應保險絲	10x38 mm Cylindrical Fuse
Terminal Rating 端子強度	Solid, Stranded, Fine Stranded, Spade Lug, Comb Bus Bar ; Single and Dual Wire ; 75°C and 90°C Cu wire
Voltage & Current & SCCR Rating 最大電壓電流 & 短路電流等級	1000VDC@30KA ,30A max 1100VDC@30KA, 30A max 600VAC@50KA, 32A max 500VAC@10KA, 40A max 500VDC@20KA, 40A max
Wire Range 線徑	#18 to #8 (0.8mm ² to 8.4mm ²)
Torque Ratings 扭矩強度	26.7 Lb-In (3.0N-m) Maximum
Flammability Ratings 防火等級	UL 94-V0, Self-extinguishing
Storage & Operating Temperature Range 儲存與操作溫度範圍	-20°C to +120°C (It's not recommended, but the holder will work well under -40°C without damage)



Dimensions / 尺寸圖 (Unit / 單位:mm)



单击下面可查看定价，库存，交付和生命周期等信息

[>>Walter\(华德\)](#)