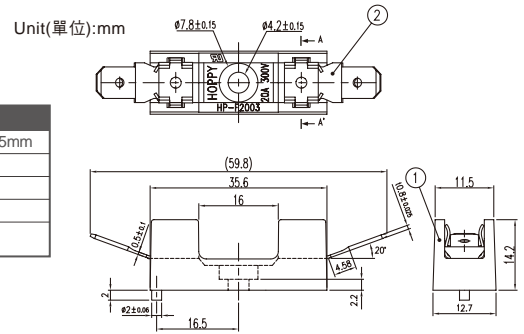


HP-F2003 / Fuse Block P.C. Board Type



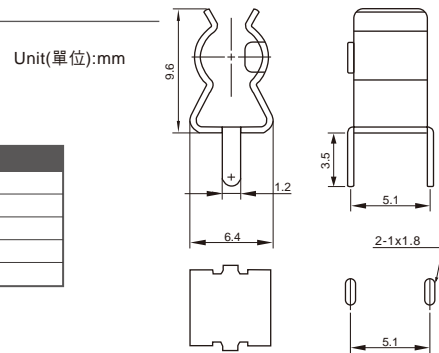
Specifications	
1 Fuse Size	Ø6.35x30mm / Ø6.35x31.75mm
2 Maximum Rating	20A 300V
3 Dielectric Strength	AC 2500V 1 Minute
4 Insulation Resistance	DC 500V 5mΩ Min.
5 Approvals	



WL-210A / Fuse Clip P.C. Board Type



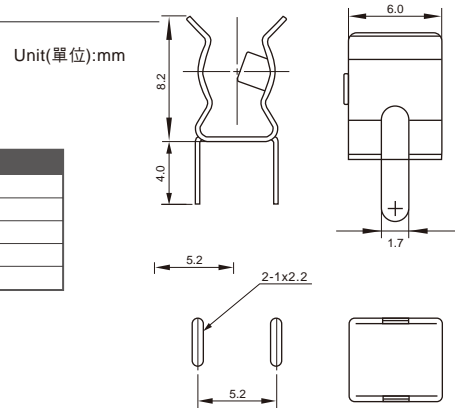
Specifications	
1 Fuse Size	Ø5.2x20mm
2 Maximum Rating	10A 250V
3 Material	Spring Brass
4 Finish	Tin-Plated
5 Material Thicknes	0.4t



WL-210D / Fuse Clip P.C. Board Type



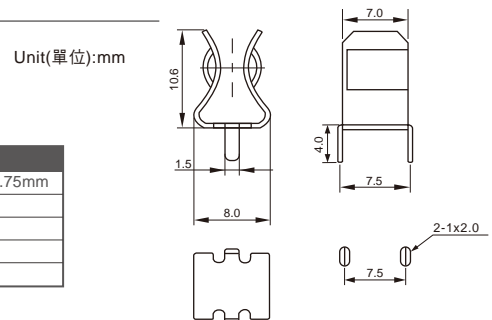
Specifications	
1 Fuse Size	Ø5.2x20mm
2 Maximum Rating	10A 250V
3 Material	Phosphor Bronze
4 Finish	Tin-Plated
5 Material Thicknes	0.3t



WL-211 / Fuse Clip P.C. Board Type



Specifications	
1 Fuse Size	Ø6.35x30mm / Ø6.35x31.75mm
2 Maximum Rating	15A 250V
3 Material	Spring Brass
4 Finish	Tin-Plated
5 Material Thicknes	0.5t



单击下面可查看定价，库存，交付和生命周期等信息

[>>Walter\(华德\)](#)