

## Adjustable Current Limited Load Switch

### General Description

The WP25P21XX-B is current limited P-channel MOSFET power switch designed for high-side load switching applications. This switch operates with inputs ranging from 2.5V to 5.5V, making it ideal for both 3.3V and 5V systems. An integrated current-limiting circuit protects the input supply against large currents which may cause the supply to fall out of regulation. The WP25P21XX-B is also protected from thermal overload which limits power dissipation and junction temperatures. It can be used to control loads that require from 0.4A to 2A. Current limit threshold is programmed with a resistor from SET to ground. The quiescent supply current in active mode is only 28 $\mu$ A. In shutdown mode, the supply current decreases to less than 1 $\mu$ A.

The WP25P21XX-B is available in Pb-free packages and is specified over the -40 $^{\circ}$ C to +85 $^{\circ}$ C ambient temperature range.

### Features

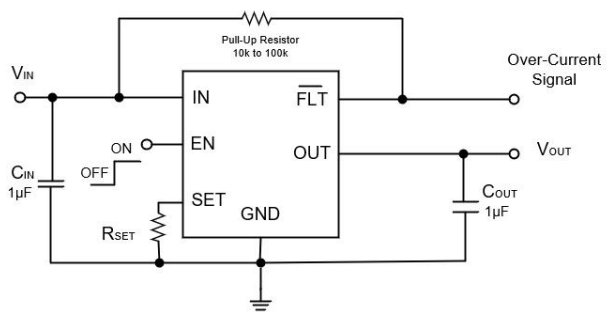
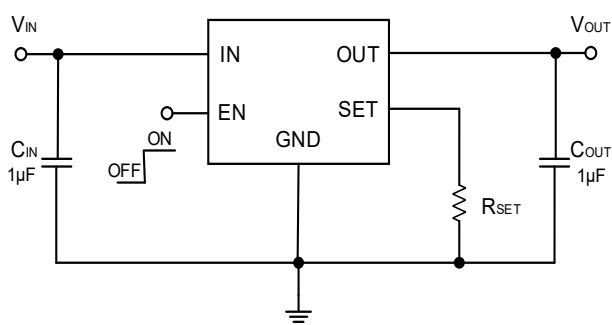
- Input Voltage Range: 2.5V to 5.5V
- Programmable Current Limit (0.4A to 2A)
- Reverse Current Blocking

- Short-Circuit Response: 2 $\mu$ s
- Very Low Quiescent Current: 28 $\mu$ A (Typ)
- 1 $\mu$ A Max Shutdown Supply Current
- Built-in Pull-up Resistor for EN Pin
- Automatic Output Discharge at Shutdown
- Under-Voltage Lockout
- Thermal Shutdown
- 2kV ESD Rating
- Ambient Temperature Range: -40 $^{\circ}$ C to +85 $^{\circ}$ C

### Applications

- Laptop/Desktop Computers and Netbooks
- 3G Wireless Cards
- Smart Phones and PDAs
- LCD TVs and Monitors
- Set-Top-Boxes
- MP3/MP4
- Printers
- Portable Game Players
- Portable Media Players and MIDs
- USB Keyboards
- USB Hard Disk Drives
- USB Memory Drives
- USB Hubs

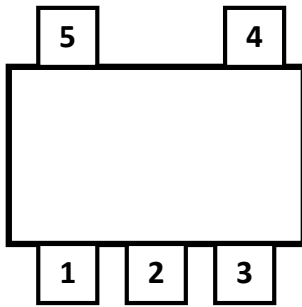
### Typical Application



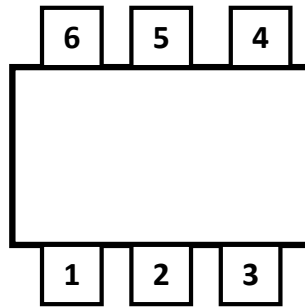
Note: Tantalum or Aluminum Electrolytic capacitors ( $C_{IN}$  and  $C_{OUT}$ ) may be required for USB applications

## Pin Configuration

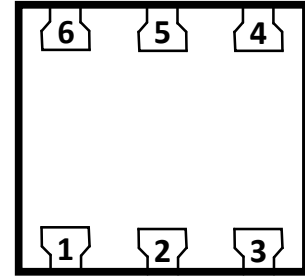
(Top View)



SOT23-5



SOT23-6



DFN-6

## Pin Description

Pin Number			Pin Name	Pin Function
SOT23-5	SOT23-6	DFN-6		
1	1	2	OUT	Power output.
2	2	3	GND	Ground pin.
3	3	1	SET	Current limit programming pin, with a resistor from ISET to ground.
4	4	6	EN	Enable input, High enable.
5	6	4	IN	Power supply input.
-	5	5	$\overline{\text{FLT}}$	Open drain fault flag.

**Absolute Maximum Ratings**

Parameter		Rating	Unit
IN, EN, SET Voltage		-0.3 to 6	V
OUT Voltage		-0.3 to $V_{IN} + 0.3$	V
OUT Current		ADJ	A
Power Dissipation	SOT23-5	400	mW
	SOT23-6	400	
	DFN-6	606	
Package Thermal Resistance( $\theta_{JA}$ )	SOT23-5	250	°C/W
	SOT23-6	250	
	DFN-6	165	
Operating Junction Temperature		-40 to 125	°C
Storage Temperature		-55 to 150	°C
Lead Temperature (Soldering, 10 sec)		300	°C

## Electrical Characteristics

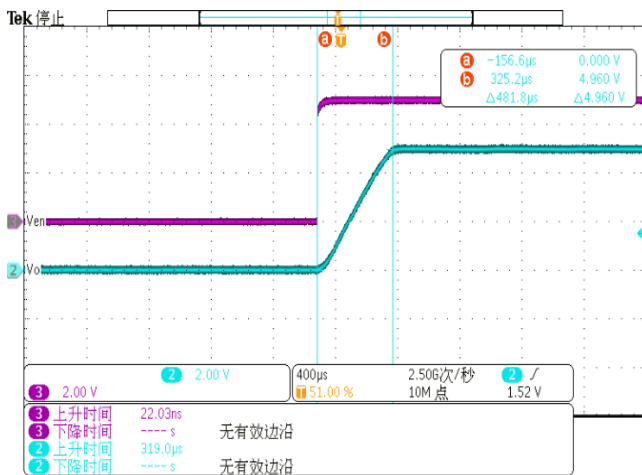
( $V_{IN}=+5.0V$ ,  $T_A=25^{\circ}C$ , unless otherwise specified.)

Symbol	Parameter	Test Conditions	Min	Typ.	Max	Unit
$V_{IN}$	Input Voltage Range		2.5		5.5	V
$I_{SHDN}$	Shutdown Input Current	Disabled, OUT floating or shorted to ground		0.3	1	$\mu A$
$I_Q$	Quiescent Supply Current	Enabled, $I_{OUT} = 0A$		28	60	$\mu A$
$R_{DS(ON)}$	Switch on-resistance	$V_{IN} = 5V$ , $I_{OUT} = 0.6A$		80	120	m $\Omega$
$I_{LMT}$	Current Limit	$V_{IN} = 5V$ , $V_{OUT} = 4.5V$ , $R_{SET}=10k\Omega$	1600	2000	2400	mA
		$V_{IN} = 5V$ , $V_{OUT} = 4.5V$ , $R_{SET}=12.7k\Omega$	1200	1500	1800	mA
		$V_{IN} = 5V$ , $V_{OUT} = 4.5V$ , $R_{SET}=19.6k\Omega$	800	1000	1200	mA
		$V_{IN} = 5V$ , $V_{OUT} = 4.5V$ , $R_{SET}=47k\Omega$	320	400	480	mA
		$V_{IN} = 5V$ , $V_{OUT} = 4.5V$ , open $R_{SET}$	800	1000	1200	mA
	Current Limit (short circuit)	$V_{IN} = 5V$ , $V_{OUT} = 0V$ , $R_{SET}=10k\Omega$	1800	2300	2800	mA
		$V_{IN} = 5V$ , $V_{OUT} = 0V$ , $R_{SET}=12.7k\Omega$	1500	1900	2300	mA
		$V_{IN} = 5V$ , $V_{OUT} = 0V$ , $R_{SET}=19.6k\Omega$	900	1200	1500	mA
		$V_{IN} = 5V$ , $V_{OUT} = 0V$ , $R_{SET}=47k\Omega$	400	500	600	mA
		$V_{IN} = 5V$ , $V_{OUT} = 0V$ , open $R_{SET}$	900	1200	1500	mA
$V_{IL}$	EN Input Logic Low Voltage	Note 1			0.5	V
$V_{IH}$	EN Input Logic High Voltage	Note 1	1.5			V
$I_{SINK}$	EN Input leakage	$V_{EN} = 5V$		0.01	1	$\mu A$
		$V_{EN} = 0V$	-2	-0.25		$\mu A$
$V_{UVLO}$	Input UVLO Threshold		1.4	1.8	2.2	V
$V_{UVLOHys}$	Input UVLO Hysteresis			0.1		V
$I_{REV}$	Reverse Leakage Current	$V_{IN} = 0V$ , $V_{OUT} = 5V$ , $I_{REV}$ at $V_{IN}$		0.1	1	$\mu A$
$R_{discharge}$	OUT Shutdown Discharge Resistance	Disabled, $V_{IN} = 5V$ , $V_{OUT}=1V$	50	120	300	$\Omega$
$R_{\overline{FLT}}$	$\overline{FLT}$ Low Resistance			250		$\Omega$
$T_{\overline{FLT\_Delay}}$	$\overline{FLT}$ Delay Time			15		ms
$T_{SHDN}$	Thermal Shutdown Temperature	$V_{IN} = 5V$		150		$^{\circ}C$
$T_{HYS}$	Thermal Shutdown Hysteresis	$V_{IN} = 5V$		20		$^{\circ}C$
$T_{ON}$	Output turn-on delay time	$V_{IN}=5V$ , $C_L=1\mu F$ , $R_L=100\Omega$	0.2	0.5	1	ms
$T_R$	Output turn-on rise time	$V_{IN}=5V$ , $C_L=1\mu F$ , $R_L=100\Omega$	0.2	0.4	0.8	ms
$T_{OFF}$	Output turn-off delay time	$V_{IN}=5V$ , $C_L=1\mu F$ , $R_L=100\Omega$	0.2	0.5	0.8	ms

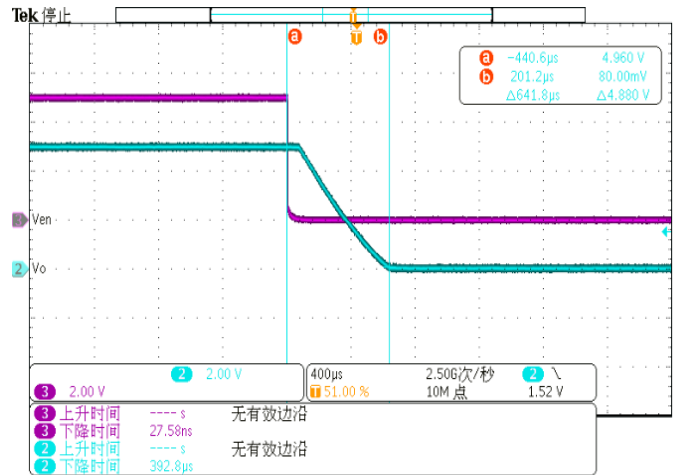
Symbol	Parameter	Test Conditions	Min	Typ.	Max	Unit
T <sub>F</sub>	Output turn-off fall time	V <sub>IN</sub> =5V, C <sub>L</sub> =1μF, R <sub>L</sub> =100Ω	100	350	500	μs
ESD HBM	Human Body Model ESD Protection			2000		V

Note1: When EN pin is floating, the chip is enabled.

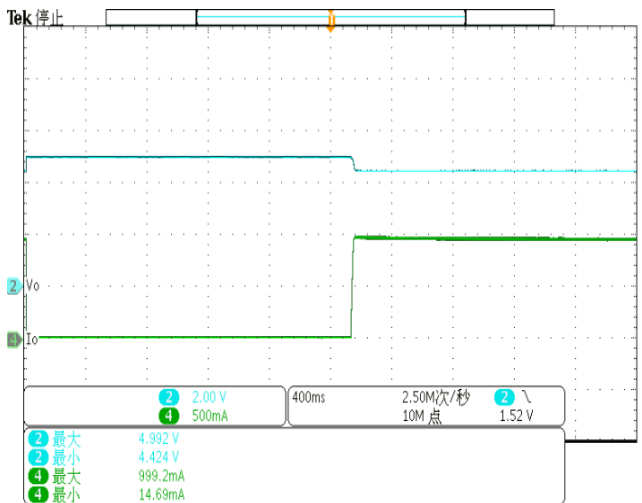
## Typical Performance Characteristics



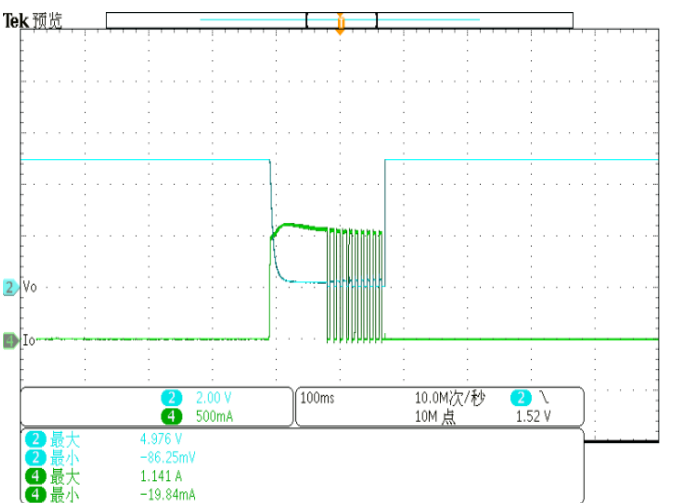
Turn On Response



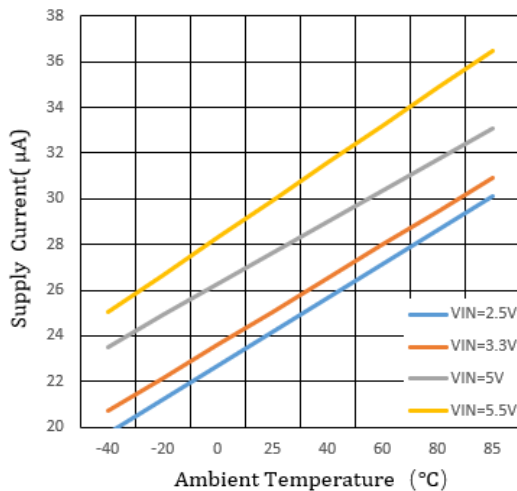
Turn Off Response



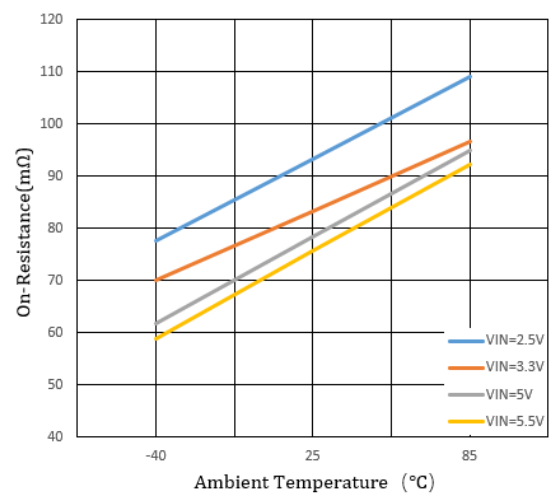
Overload Current-limit (open R<sub>SET</sub>)



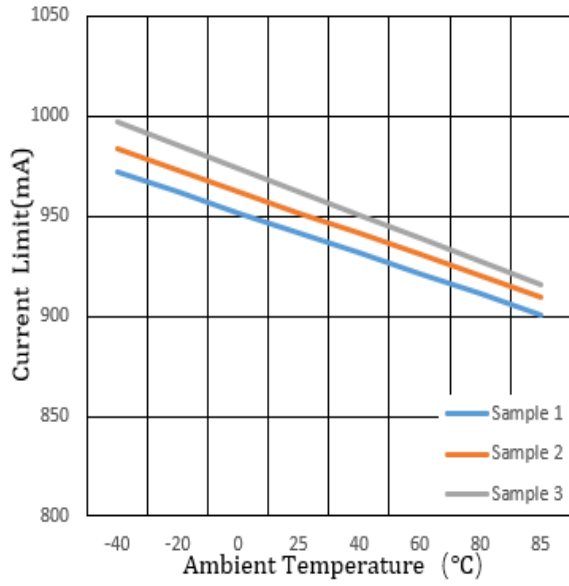
Short Current Response & Thermal Shutdown



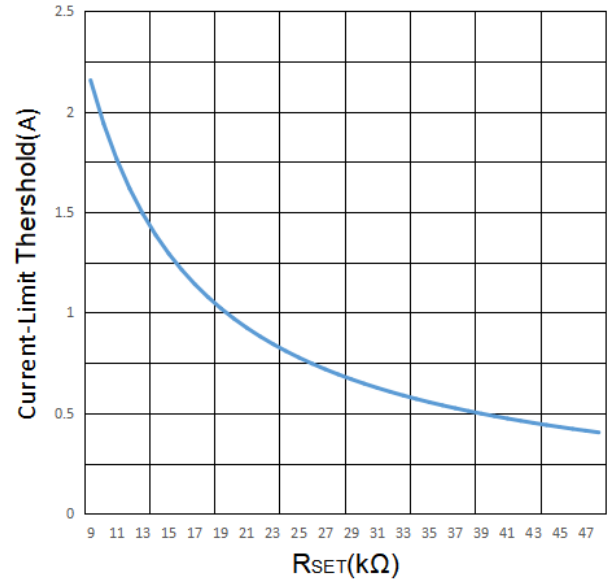
Quiescent Supply Current vs. Ambient Temperature



Switch On-Resistance vs. Ambient Temperature

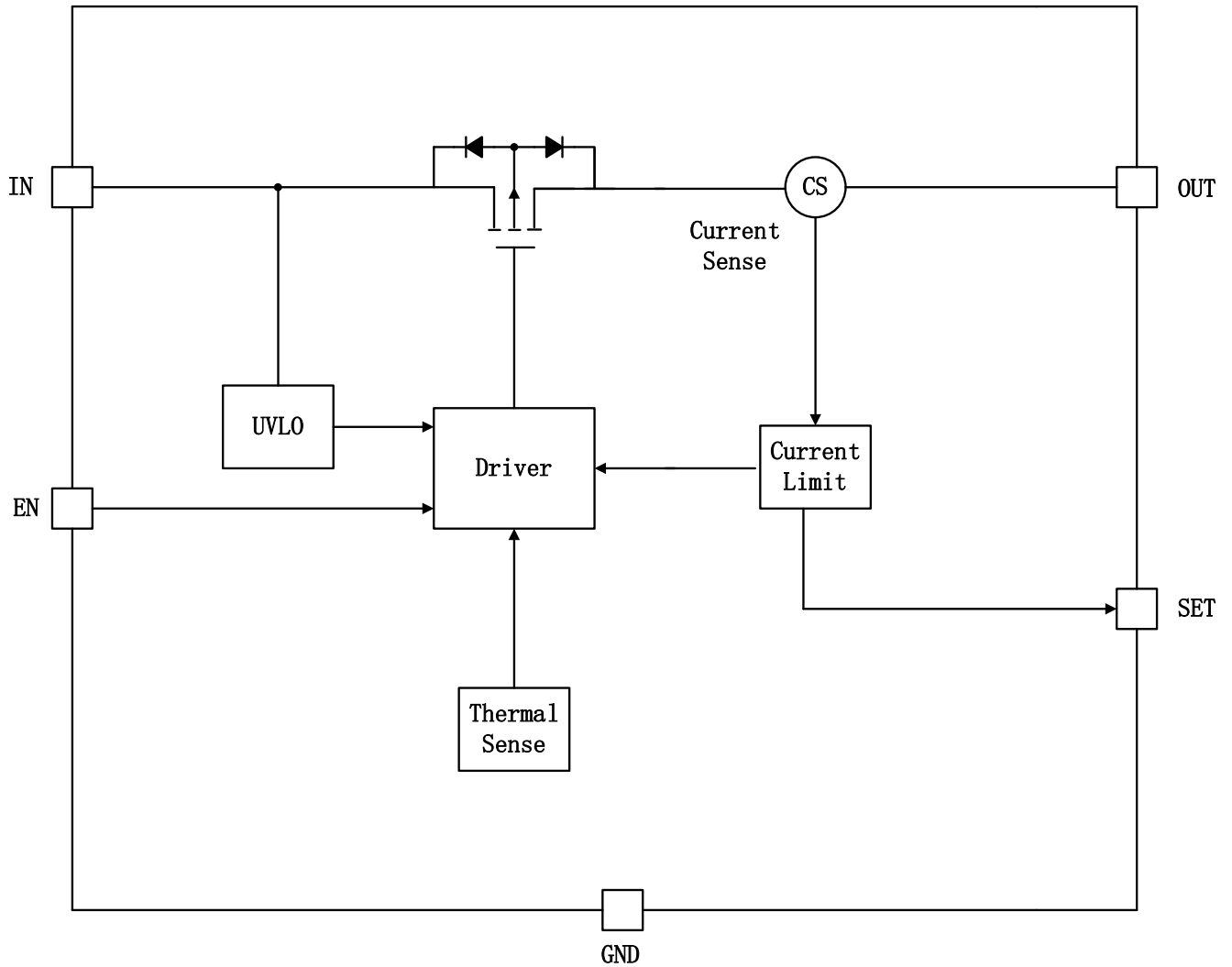


Current-Limit Threshold vs. Ambient Temperature (open  $R_{SET}$ )



Current-Limit Threshold vs.  $R_{SET}$

## Block Diagram





## Operation

WP25P21XX-B is an integrated power switch with a low  $R_{DS(ON)}$  P-channel MOSFET, internal gate drive circuit, programmable current limiting. When the WP25P21XX-B turns on, it can deliver up to 1.4A continuous current to load. When the device is active, if there is no load, the device only consumes 28 $\mu$ A supply current, which makes the device suitable for battery powered applications.

## Power Supply Considerations

A 0.1 $\mu$ F to 1 $\mu$ F ceramic bypass capacitor between IN and GND, close to the device, is recommended. Placing a high-value electrolytic capacitor on the output pin(s) is recommended when the output load is heavy. This precaution reduces power-supply transients that may cause ringing on the input and minimize the input voltage droops. Additionally, bypassing the output with a 0.1 $\mu$ F to 1 $\mu$ F ceramic capacitor improves the immunity of the device to short-circuit transients.

## Power Dissipation and Junction Temperature

The low on-resistance on the P-channel MOSFET allows the small surface-mount packages to pass large currents. It is good design practice to check power dissipation and junction temperature for each application. Begin by determining the  $R_{DS(ON)}$  of the P-channel MOSFET relative to the input voltage and operating temperature. Using the highest operating ambient temperature of interest and  $R_{DS(ON)}$ , the power dissipation per switch can be calculated by:

$$P_D = R_{DS(ON)} \times I^2$$

Finally, calculate the junction temperature:

$$T_J = P_D \times R_{\theta JA} + T_A$$

Where:

$T_A$  = Ambient temperature

$R_{\theta JA}$  = Thermal resistance

$P_D$  = Total power dissipation

Compare the calculated junction temperature with the maximum junction temperature which is 125°C. If they are within degrees, either the maximum load current needs to be reduced or another package option will be required.

## Over Current

A sense FET is employed to check for overcurrent conditions. When an overcurrent condition is detected, the device maintains a constant output current and reduces the output voltage accordingly. WP25P21XX-B will limit the current until the overload condition is removed or the device begins to thermal cycle.

Three possible overload conditions can occur. In the first condition, the output has been shorted before the device is enabled or before  $V_{IN}$  has been applied. The WP25P21XX-B senses the short and immediately switches into a constant-current output.

In the second condition, a short or an overload occurs while the device is enabled. At the instant the overload occurs, high currents may flow for a short period of time before the current-limit circuit can react.

After the current-limit circuit reached the overcurrent trip threshold, the device switches into constant-current mode.

In the third condition, the load has been gradually increased beyond the recommended operating current. The current is permitted to rise until the current-limit threshold is reached or until the thermal limit of the device is exceeded. The WP25P21XX-B is capable of delivering current up to the current-limit threshold without damaging the device. Once the threshold has been reached, the device switches into its constant-current mode.

## Thermal Protection

Thermal protection prevents damage to the IC when heavy-overload or short-circuit faults are present for extended periods of time. The WP25P21XX-B implements a thermal sensing to monitor the operating junction temperature of the power distribution switch. In an overcurrent or short-circuit condition, the junction temperature rises due to excessive power dissipation. Once the die temperature rises to approximately 150°C due to overcurrent conditions, the internal thermal sense circuitry turns the power switch off, thus preventing the power switch from damage. Hysteresis is built into the thermal sense circuit, and after the device has cooled approximately 20°C, the switch turns back on. The switch continues to cycle in this manner until the load fault or input power is removed.

## Current Limiting Setting

Current limit is programmable to protect the power source from over current and short circuit conditions. Connect the closest 1% resistor RSET from SET pin to GND to program the current limit:

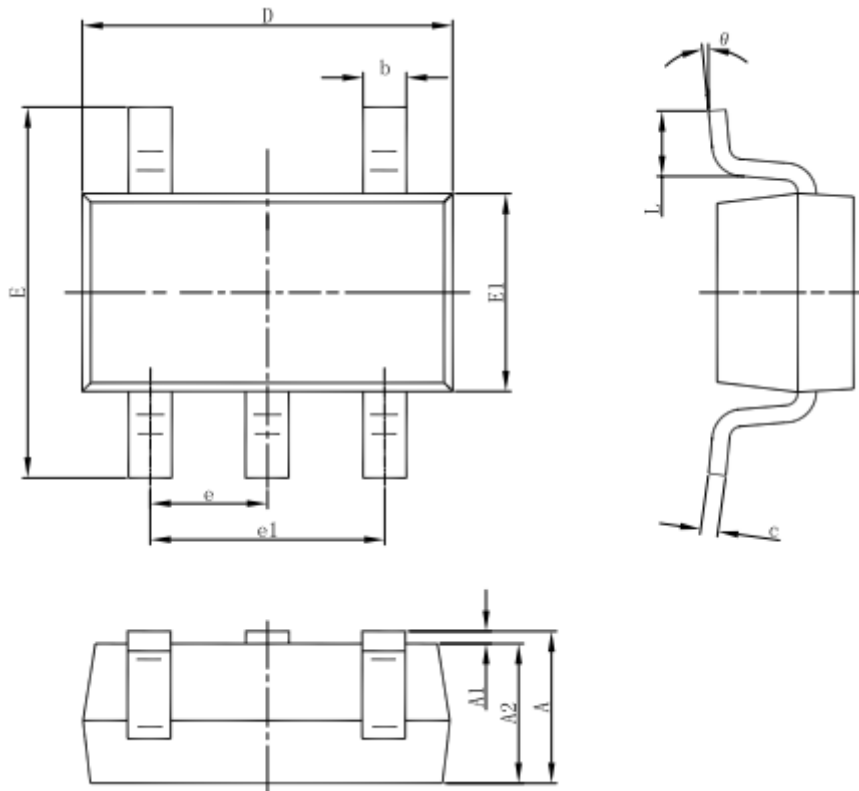
$$I_{LIM} (A) = 19400 / R_{SET} (\Omega)$$

The minimum current limit is 0.4A. Current limit beyond 2A is not recommended.

When  $R_{SET} = \infty$  (SET Pin is floating), the current limit is 0.8A~1.2A.

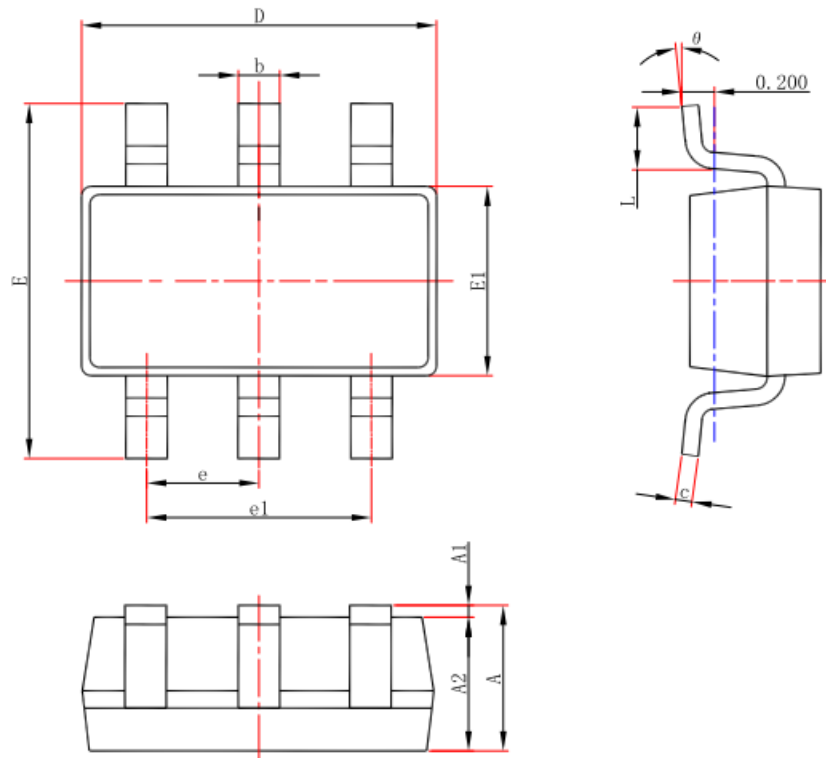


## Package Information

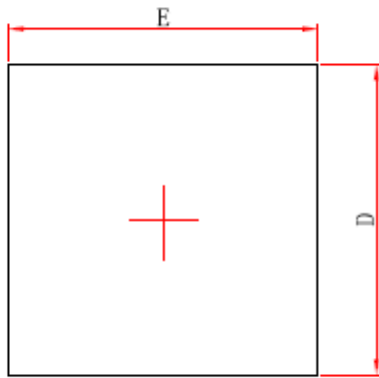


SOT23-5

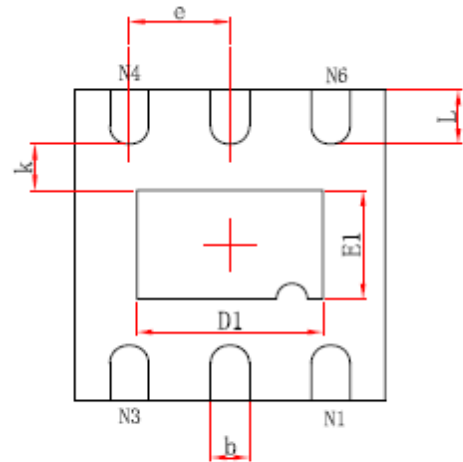
SYMBOL	DIMENSIONS IN MILLIMETERS	
	MIN	MAX
A	1.000	1.350
A1	0.000	0.150
A2	1.000	1.200
b	0.300	0.500
c	0.100	0.200
D	2.820	3.020
E1	1.500	1.700
E	2.600	3.000
e	0.950(BSC)	
e1	1.800	2.000
L	0.300	0.600
θ	0°	8°


**SOT23-6**

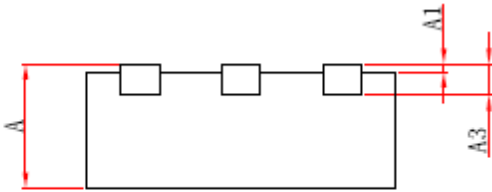
SYMBOL	DIMENSIONS IN MILLIMETERS	
	MIN	MAX
<b>A</b>	1.050	1.250
<b>A1</b>	0.000	0.100
<b>A2</b>	1.050	1.150
<b>b</b>	0.300	0.500
<b>c</b>	0.100	0.200
<b>D</b>	2.820	3.020
<b>E1</b>	1.500	1.700
<b>E</b>	2.650	2.950
<b>e</b>	0.950(BSC)	
<b>e1</b>	1.800	2.000
<b>L</b>	0.300	0.600
<b>θ</b>	0°	8°



Top View



Bottom View



Side View

DFN-6

SYMBOL	DIMENSIONS IN MILLIMETERS	
	MIN	MAX
A	0.700	0.800
A1	0.000	0.050
A3	0.203REF	
D	1.924	2.076
E	1.924	2.076
D1	1.100	1.300
E1	0.600	0.800
k	0.200MIN.	
b	0.200	0.300
e	0.650TYP.	
L	0.274	0.426

**Ordering Information**

Part Number	Current Limit	Package	Packing Quantity	Marking*
WP25P21T5-B	ADJ	SOT23-5	3k/Reel	WP25P21 B CXXXX
WP25P21T6-B	ADJ	SOT23-6	3k/Reel	WP25P21 B CXXXX
WP25P21F6-B	ADJ	DFN-6	3k/Reel	25P21 BXXXX

\*XXXX is variable.


**Contact Information**

No.1001, Shiwan(7) Road, Pudong District, Shanghai, P.R.China.201202

Tel: 86-21-68960674 Fax: 86-21-50757680 Email: market@way-on.com

WAYON website: <http://www.way-on.com>

For additional information, please contact your local Sales Representative.

 is registered trademark of Wayon Corporation.

*Specifications are subject to change without notice.*

*The device characteristics and parameters in this data sheet can and do vary in different applications and actual device performance may vary over time.*

*Users should verify actual device performance in their specific applications.*

单击下面可查看定价，库存，交付和生命周期等信息

[>>WAY-ON\(维安\)](#)