

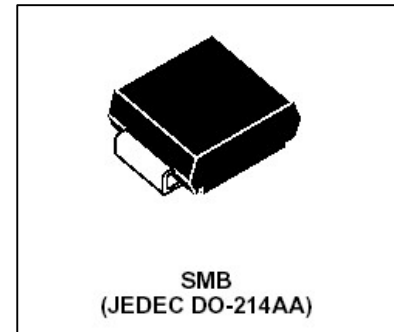


# WEOS4-50/XXAS

## Thyristor Surge Protector

### Features

- Bi-directional crowbar transient voltage protection
- High surge capability
- High off-state impedance, Low leakage current
- Short-circuit failure mode
- Low on-state voltage



### Main Application

WAYON's thyristor surge protector devices are designed to help protect sensitive telecommunication equipment from the hazards caused by lightning, power contact, and power induction. These devices enable equipment to comply with various regulatory requirements including GR 1089, ITU K.20, K.21 and K.45, IEC 60950, UL 60950, and TIA-968-A (formerly known as FCC Part 68).

Typical application including:

- Central office switching equipment, Analog and digital linecards (xDSL, T1/E1, ISDN...).
- Customer Premises Equipment (CPE) such as phones, fax machines, modems, POS terminals, PBX systems and caller ID adjunct boxes.
- Primary protection modules including Main Distribution Frames (MDF), building entrance equipment and station protection modules.
- Access network equipment such as remote terminals, line repeaters, multiplexers, cross-connects, WAN equipment, Network Interface Devices (NID).
- Data lines and security systems.
- CATV line amplifiers and power inserters.
- Sprinkler systems.

### Absolute Maximum Ratings (TA =25°C)

Parameter	Symbol	Value	Unit
Non-repetitive peak impulse current 10/1000 $\mu$ s (Telcordia GR-1089-CORE)	$I_{PPSM}$	50	A
Non-repetitive peak impulse Voltage 10/700 $\mu$ s (ITU-T K.20, K.21 & K.44, K.45)	$V_{PPSM}$	2500	V
Operating Junction Temperature range	$T_J$	-40 to + 125	°C
Storage Temperature range	$T_s$	-55 to + 150	°C

Electrical Parameters (T<sub>A</sub> = 25°C)

Part Number	Marking code	V <sub>DRM</sub>	I <sub>DRM</sub>	V <sub>BO</sub>	I <sub>BO</sub>	V <sub>T</sub>	I <sub>T</sub>	C <sub>O</sub>	I <sub>H</sub>
		Max.	Max.	Max.	Max.	Max.	Max.	Typ.	Min.
		V	μA	V	mA	V	A	pF	mA
WEOS4-50/25AS	W03SA	25	5	40	800	4	2.2	70	50
WEOS4-50/58AS	W06SA	58	5	77	800	4	2.2	50	120
WEOS4-50/65AS	W07SA	65	5	88	800	4	2.2	50	120
WEOS4-50/75AS	W09SA	75	5	98	800	4	2.2	50	120
WEOS4-50/90AS	W11SA	90	5	130	800	4	2.2	40	120
WEOS4-50/100AS	W12SA	100	5	130	800	4	2.2	40	120
WEOS4-50/120AS	W14SA	120	5	160	800	4	2.2	40	120
WEOS4-50/140AS	W15SA	140	5	180	800	4	2.2	40	120
WEOS4-50/170AS	W18SA	170	5	220	800	4	2.2	35	120
WEOS4-50/180AS	W20SA	180	5	220	800	4	2.2	35	120
WEOS4-50/190AS	W23SA	190	5	260	800	4	2.2	35	120
WEOS4-50/220AS	W26SA	220	5	300	800	4	2.2	35	120
WEOS4-50/230AS	W28SA	230	5	290	800	4	2.2	35	120
WEOS4-50/270AS	W31SA	270	5	350	800	4	2.2	35	120
WEOS4-50/300AS	W35SA	320	5	400	800	4	2.2	35	120
WEOS4-50/350AS	W36SA	350	5	460	800	4	2.2	30	120

**V<sub>DRM</sub>**: Stand-off voltage, is measured at I<sub>DRM</sub>.

**I<sub>DRM</sub>**: Leakage current at V<sub>DRM</sub>.

**V<sub>BO</sub>**: Breakover voltage, is measured at 100V/μs.

**I<sub>BO</sub>**: Breakover current.

**V<sub>T</sub>**: On-state voltage.

**I<sub>T</sub>**: On-state current.

**C<sub>O</sub>**: Off-state capacitance.

**I<sub>H</sub>**: Holding current.

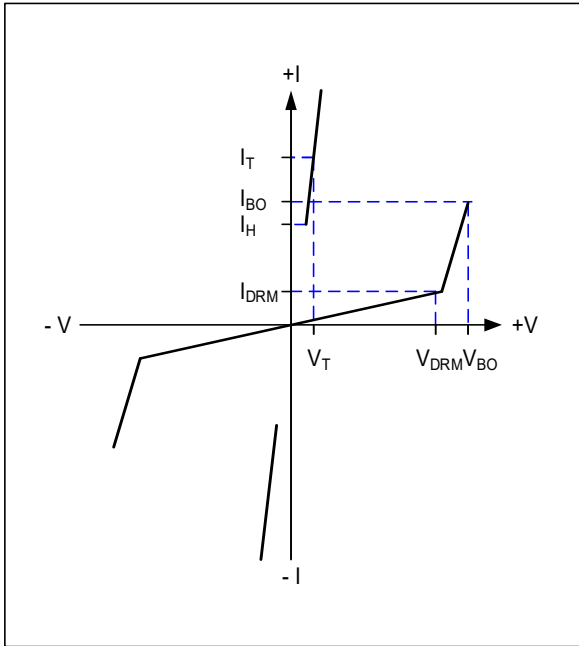
**I<sub>PP</sub>**: Peak pulse current, is a repetitive surge rating and is guaranteed for the life of the product.

**V<sub>ppsm</sub>**: Peak pulse voltage, is a repetitive surge rating and is guaranteed for the life of the product.

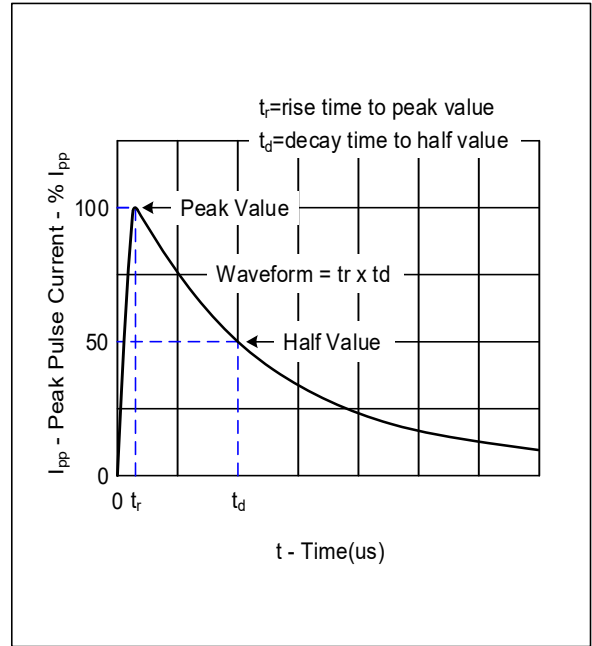
**General Notes:**

- All measurements are made at an ambient temperature of 25 °C. I<sub>PP</sub> applies to -40 °C through +85 °C temperature range.
- WEOS4 devices are bi-directional. All electrical parameters and surge ratings apply to forward and reverse polarities.
- Special voltage (V<sub>BO</sub> and V<sub>DRM</sub>) and holding current (I<sub>H</sub>) requirements are available up on request. Off-state capacitance is measured at 1 MHz with a 2 V bias.

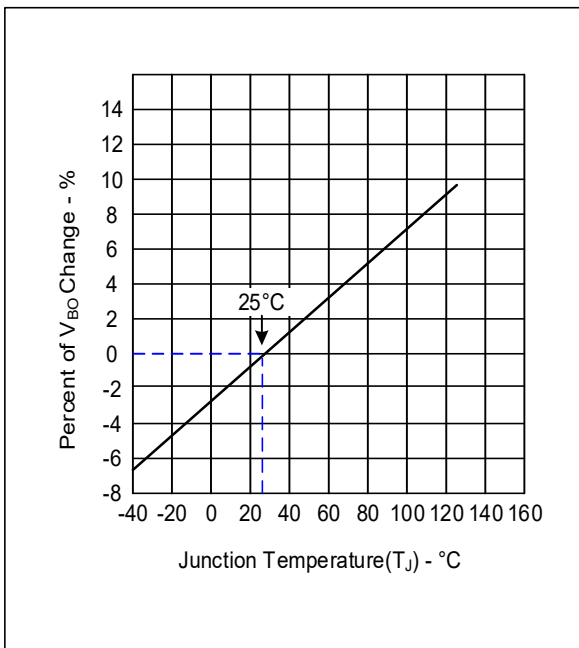
Electrical Characteristics Curves



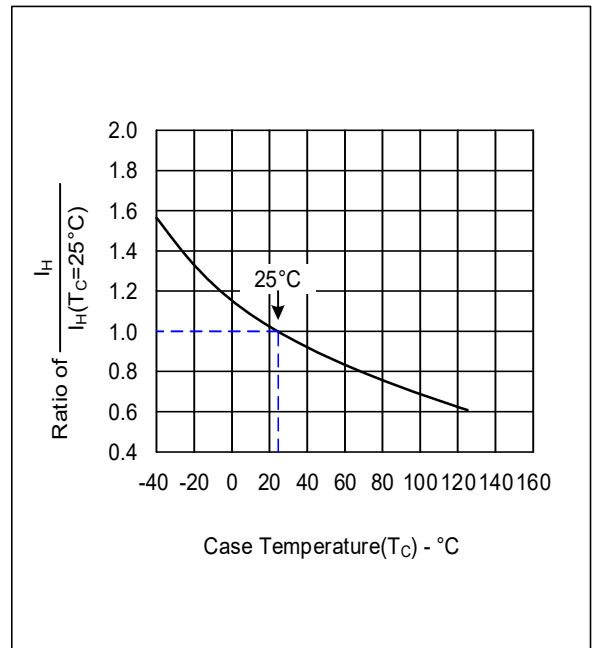
V - I Characteristics



$t_r \times t_d$  Pulse Waveform



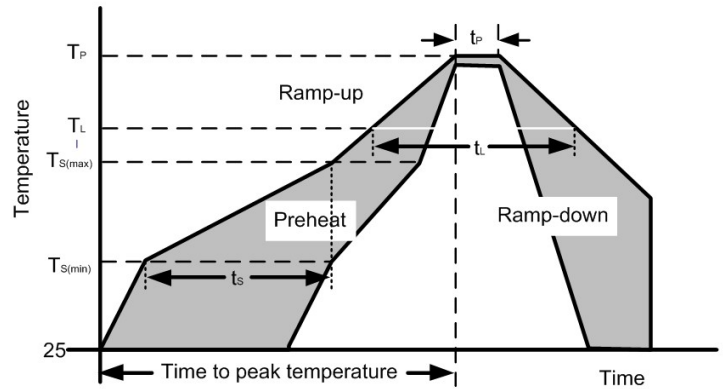
Normalized  $V_{BO}$  Change versus Junction Temperature



Normalized DC Holding Current versus Case Temperature

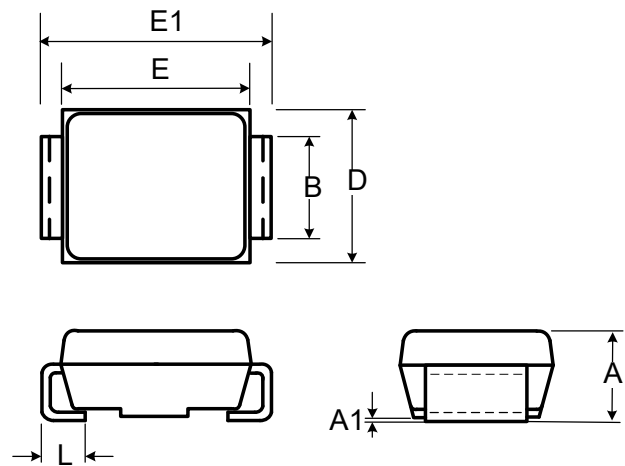
**Soldering Parameters**

Reflow Condition		
Pre Heat	Temperature Min ( $T_{s(min)}$ )	150°C
	Temperature Max ( $T_{s(max)}$ )	200°C
	Time (min to max) ( $t_s$ )	60-190 s
Average ramp up rate (Liquidus Temp) ( $T_L$ ) to peak		3°C/s max
Ts(max) to TL - Ramp-up Rate		3°C/s max
Reflow	Temperature ( $T_L$ ) (Liquidus)	217°C
	Temperature ( $t_L$ )	60-150 s
Peak Temperature ( $T_P$ )		260 <sup>+0/-5</sup> °C
Time within actual peak Temperature ( $t_p$ )		20-40 s
Ramp-down Rate		5°C/s max
Time 25°C to peak Temperature ( $T_P$ )		8 minutes Max.
Do not exceed		260°C



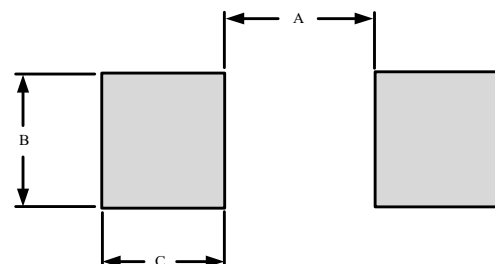
**Product Dimensions**

Ref. (mm)	Min.	Max.
A	2.130	2.600
A1	-	0.300
B	1.900	2.200
E	4.100	4.750
E1	5.210	5.590
D	3.300	3.940
L	0.760	1.520

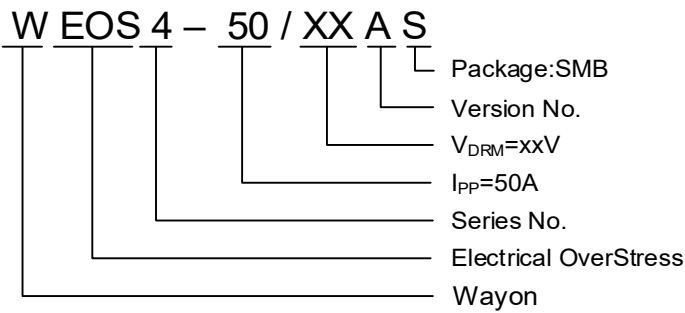


**Recommended Solder Pad Layout**

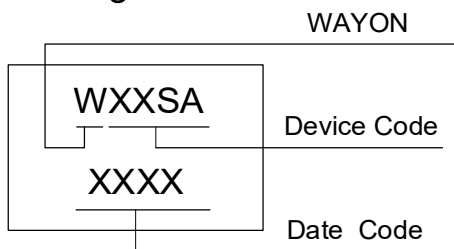
DIM(mm)	MILLIMETERS
A	2.74
B	2.26
C	2.16



### Part Numbering System and Marking



### Marking:



### Package Information

Package Type	Description	Quantity (pcs)
SMB(DO-214AA)	Tape & Reel Pack	2500

### Contact Information

No.1001, Shiwan(7) Road, Pudong District, Shanghai, P.R.China.201207  
 Tel: 021-68969993 Fax: 86-21-50757680 Email: market@way-on.com  
 WAYON website: <http://www.way-on.com>

For additional information, please contact your local Sales Representative.

**WAYON**® is registered trademarks of Wayon Corporation.

*Specifications are subject to change without notice.  
 The device characteristics and parameters in this data sheet can and do vary in different applications and actual device performance may vary over time.  
 Users should verify actual device performance in their specific applications.*

单击下面可查看定价，库存，交付和生命周期等信息

[>>WAY-ON\(维安\)](#)