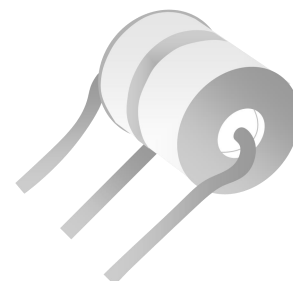


### Features

- 3-electrode arrester
- Very small size
- Extremely fast response time
- Stable performance over life
- Extremely low capacitance (<1.5pF)
- High insulation resistance



### Application

- ADSL/XDSL protection
- Station protection
- Base stations

### Electrical specifications

Part number	DC Spark-over Voltage <sup>1) 2)</sup>	Maximum Impulse Spark-over Voltage	Service Life <sup>3)</sup>	Insulation resistance	Capacitance	Marking Code
	100V/s	1kv/ $\mu$ s	8/20 $\mu$ s 10times	@ 100V <sub>DC</sub>	@ 1 MHz	
	(V)	(V)	(KA)	(G $\Omega$ )	(pF)	
GDTR3RD6-75	75 $\pm$ 30%	600	5	> 1@50V <sub>DC</sub>	< 1.5	Blue negative
GDTR3RD6-90	90 $\pm$ 20%	600	5	> 1@50V <sub>DC</sub>	< 1.5	Blue negative
GDTR3RD6-150	150 $\pm$ 20%	650	5	> 1	< 1.5	Blue negative
GDTR3RD6-230	230 $\pm$ 20%	700	5	> 1	< 1.5	Blue negative
GDTR3RD6-350	350 $\pm$ 20%	900	5	> 1	< 1.5	Blue negative
GDTR3RD6-420	420 $\pm$ 20%	950	5	> 1	< 1.5	Blue negative
GDTR3RD6-600	600 $\pm$ 20%	1300	5	> 1	< 1.5	Blue negative

1) At delivery AQL 0.65 level II, DIN ISO 2859.

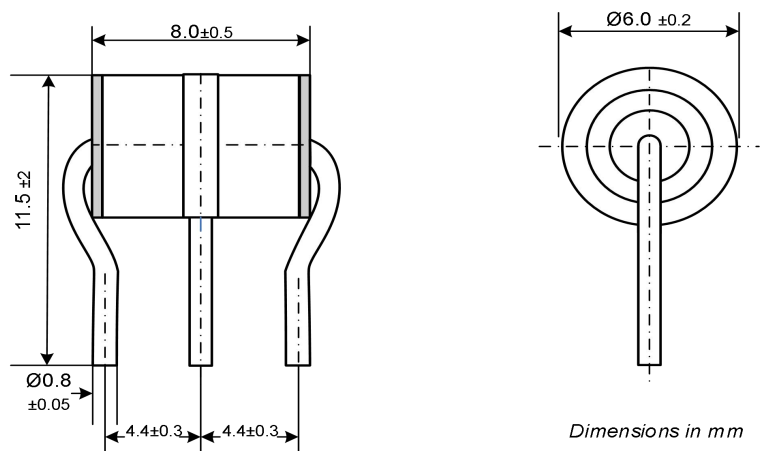
2) In ionized mode.

3) Tests according to ITU-T Rec. K. 12 and UL 497B.

## Thermal Resistances

Symbol	Parameter	Value	Unit
Ts & Tj	Storage & Operating temperature range	-40 to +85	°C

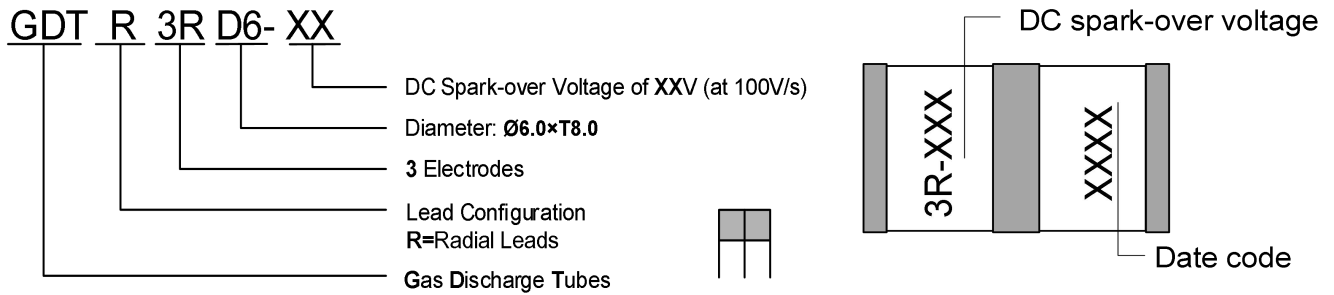
## Dimensional drawing



## Cautions and warnings

- Surge arresters must not be operated directly in power supply networks.
- Surge arresters may become hot in case of longer periods of current stress (danger of burning).
- Surge arresters may be used only within their specified values. In case of overload, the headcontacts may fail or the component may be destroyed.
- Damaged surge arresters must not be re-used.

## Part Numbering System and Marking



## Package Information

Quantity:100PCS(Plastic box)

## Contact Information

No.1001, Shiwan(7) Road, Pudong District, Shanghai, P.R.China.201207

Tel: 86-21-68969993 Fax: 86-21-50757680 Email: market@way-on.com

WAYON website: <http://www.way-on.com>

For additional information, please contact your local Sales Representative.

**WAYON** ® are registered trademarks of Wayon Corporation.

*Specifications are subject to change without notice.  
The device characteristics and parameters in this data sheet can and do vary in different applications and actual device performance may vary over time.  
Users should verify actual device performance in their specific applications.*

单击下面可查看定价，库存，交付和生命周期等信息

[>>WAY-ON\(维安\)](#)