

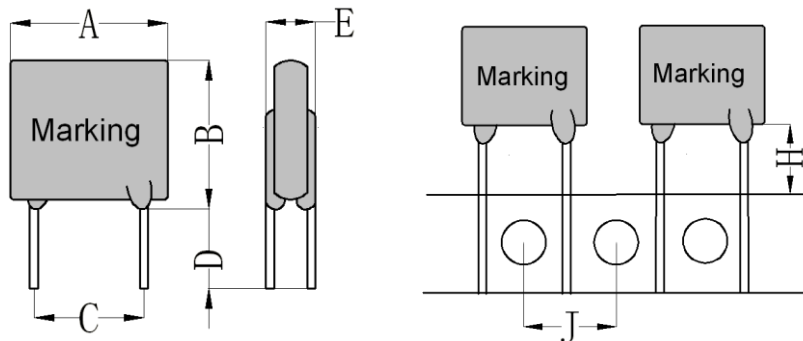
LPH1500F

Features

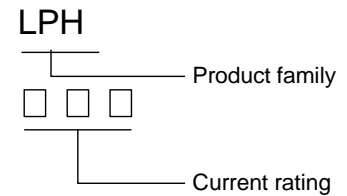
- Radial leaded devices
- Cured, flame retardant epoxy polymer insulating material meets UL94 V-0 requirements
- Lead-free and compliant with the European Union RoHS Directive 2011/65/EU

Product Dimensions (mm)

Part number	A	B	C		D	E	H		J	Lead
	Max.	Max.	Min.	Max.	Min.	Max.	Min.	Max.	Typ.	Size(φ)
LPH1500F	24.0	28.7	9.5	10.9	7.6	3.4	7.5	8.5	12.7	0.8



Marking system



* Lead materials: Tin-plate metal wire.

Electrical Characteristics

Part number	I _H	I _T	T _{trip}		V _{max}	I _{max}	Pd _{typ}	R _{min}	R _{max}	R _{1max}
	(A)	(A)	(A)	(s)	(V)	(A)	(W)	(Ω)	(Ω)	(Ω)
LPH1500F	15.0	33.0	75	20.0	16	100	7.0	0.0027	0.0063	0.0092

I_H=Hold current: maximum current at which the device will not trip at 25°C still air.

I_T=Trip current: minimum current at which the device will always trip at 25°C still air.

V_{max}=Maximum voltage device can withstand without damage at rated current.

I_{max}=Maximum fault current device can withstand without damage at rated voltage.

Pd_{typ}= Maximum amount of power dissipated by the device when in state air environment.

T_{trip}=Maximum time to trip(s) at assigned current.

R_{min}=Minimum device resistance at 25°C prior to trip.

R_{max}= Maximum device resistance at 25°C prior to trip.

R_{1max}=Maximum resistance of device when measured one hour post trip at 25°C.

Thermal Derating Chart-IH(A)

Part number	Maximum ambient operating temperatures(°C)									
	-40	-20	0	25	40	50	60	70	85	125
LPH1500F	20.4	18.8	17.1	15.0	13.2	12.1	11.1	9.9	8.3	3.8

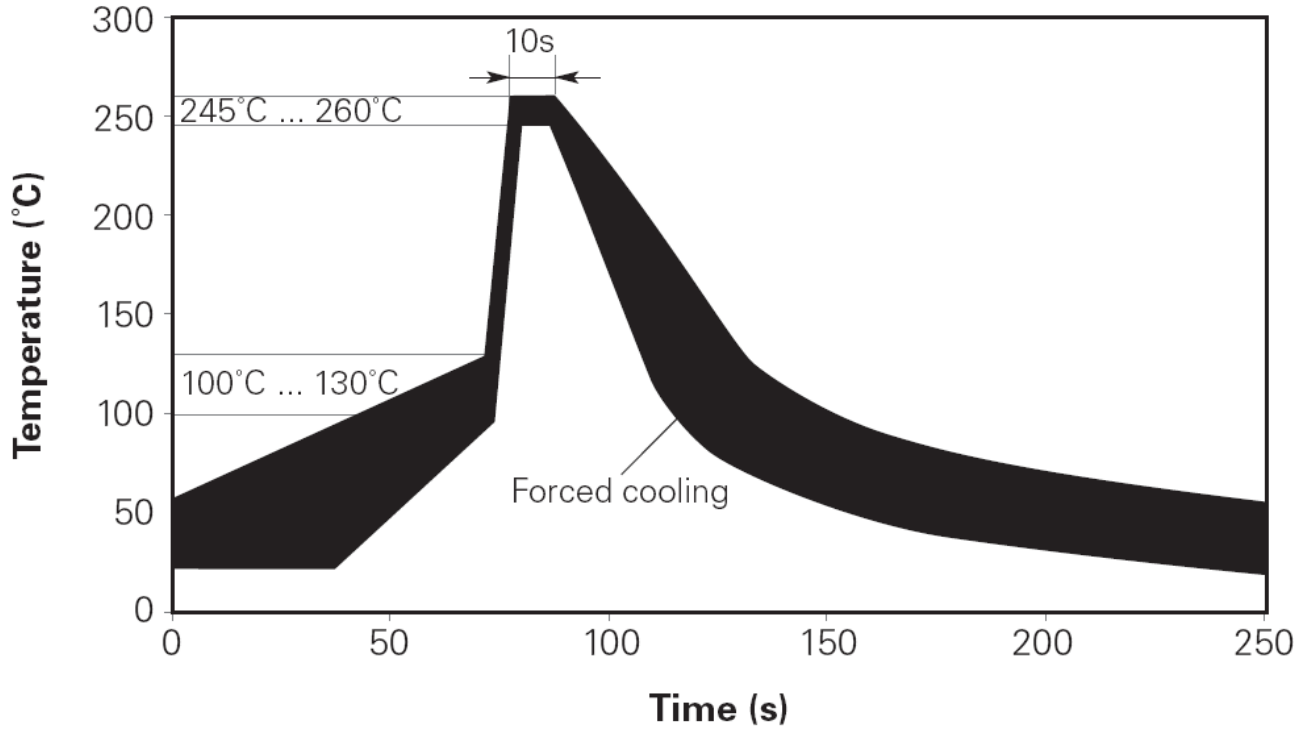
Package Information

Bulk: 250pcs per bag.

Tape: 1500pcs per reel

Soldering Recommendations

Wave Soldering



Hand Soldering

Soldering temperature: $350^{\circ}\text{C} \pm 5^{\circ}\text{C}$.

Soldering time: no more than 5s.

Soldering position: at least 4 mm away from PTC chip.

单击下面可查看定价，库存，交付和生命周期等信息

[>>WAY-ON\(维安\)](#)