

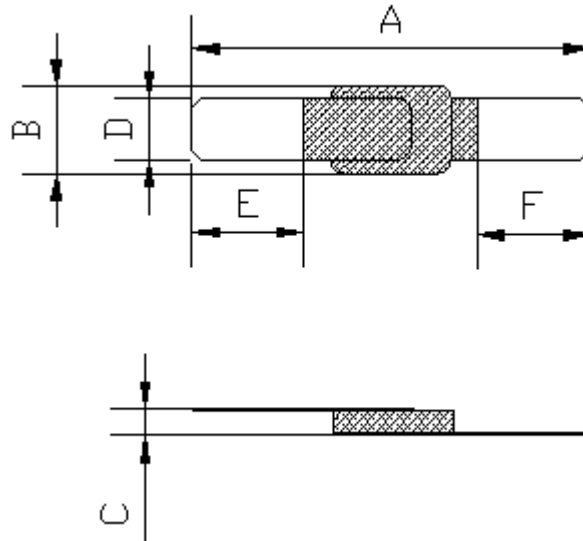
**Features**

- Lower power consumption by lower resistance
- The miniaturized PTC elements leads a flexible design around battery
- Typical used for protection of Li-ion /Polymer Li-ion battery
- Lead-free
- Agency recognition: UL、TUV



**Product Dimensions (mm)**

Part number	A	B	C	D	E	F
LTH600LL	20.5±1.0	3.60±0.15	0.8±0.2	2.5±0.1	5.4Min	5.4Min



**Electrical Characteristics**

Maximum Electrical Rating

- Operating Voltage: 10Vdc
- Interrupt Current: 50A

HOLD CURRENT & TRIP CURRENT (AMPS)				TIME-TO-TRIP (SECONDS)		REFERENCE RESISTANCE (OHMS)		ONE HOUR POST TRIP RESISTANCE (OHMS)		TRIPPED STATE POWER DISSIPATION (WATTS)
25°C		60°C		30.0A @ 25°C		25°C		25°C		25°C,10V
Hold	Trip	Hold	Trip	Min.	Max.	Min.	Max.	Min.	Max.	Max
6.0	14.4	4.0	9.6	-	5.0	0.002	0.010	0.002	0.020	2.0

**Notes:**

- No organic solvent contacted.

Min package Qty: 1000pcs/Bag

**LTH600LL**

*Strap resettable fuses*

**Test Procedures and Requirements**

Test	Test Conditions	Accept/Reject Criteria
Resistance	In still air @ 25°C	$R_{min} \leq R \leq R_{max}$
Time to Trip	Specified current, $V_{max}$ , 25°C	$T \leq$ maximum Time to Trip
Hold Current	1hour , at $I_H$	No trip
Trip Cycle Life	$V_{max}$ , $I_{max}$ , 100cycles	No arcing or burning
Trip Endurance	$V_{max}$ , 2hours	No arcing or burning

**Physical Characteristics and Environmental Specifications**

**Physical Characteristics**

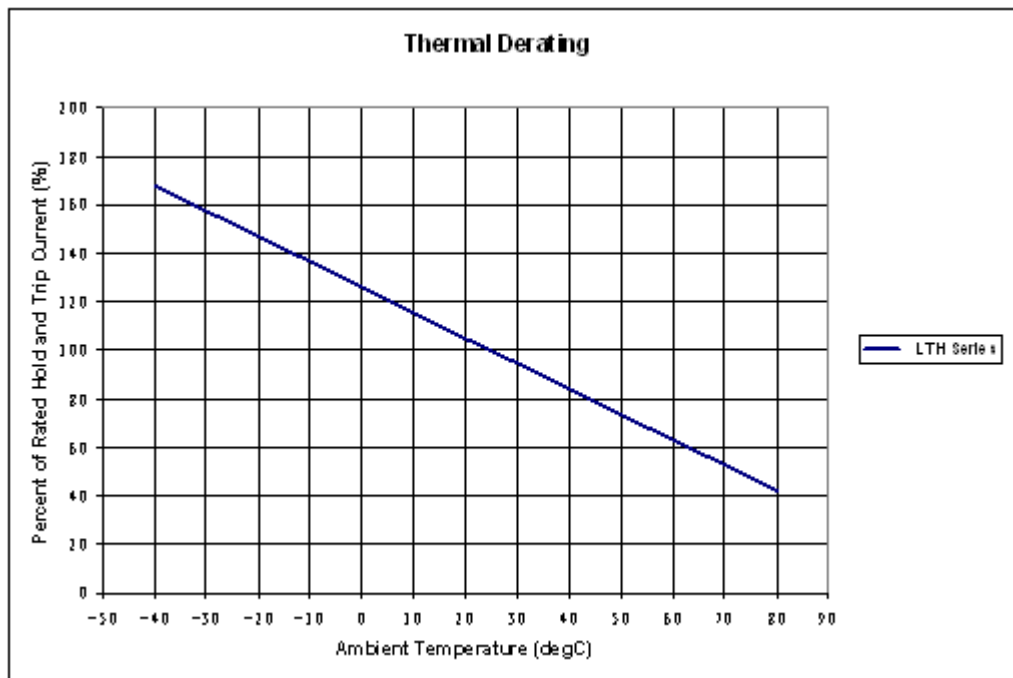
Lead material	0.10 mm nominal thickness,1/2-hard nickel
---------------	---

**Environmental Specifications**

Test	Conditions	Resistance Change
Humidity aging	60°C / 95% RH, 1000 Hrs	$\leq R_{1max}$
Thermal shock	60°C / -40°C, 1Hour at each temperature zone, 24Cycles	$\leq R_{1max}$
Vibration	MIL-STD-883D, Method 2026	No change

**Thermal Derating Chart- $I_H(A)/I_T(A)$**

Part number	Maximum ambient operating temperatures(°C)								
	-40	-20	0	20	25	40	50	60	70
LTH600LL	8.0	7.5	6.8	6.1	6.0	5.2	4.7	4.0	3.4
	18.8	17.5	16.4	14.8	14.4	12.2	10.8	9.6	7.0



## 维安条状 PTC 的注意事项 Cautions for Strap PTC

1. 请在规格书规定的最大电压和最大电流下使用，超出 PTC 最大电压或最大电流规格值的操作，可能会导致 PTC 出现电弧，阻值升高，甚至烧片。

Operation beyond the maximum voltage or current may result in device damage and possible electrical arcing or flame.

2. 规格书所规定的各温度下的 Hold current 均是 PTC 经过一次点焊或注塑后的常规性能，PTC 能够在不同温度对应的电流条件下保持 1 小时。该电流并不是该型号 PTC 能够适用的长期充电或放电电流的条件。

The Hold current specified at different temperatures in the datasheet is the conventional performance of after one spot welding or injection. PTC can hold 1 hour at the current corresponding to different temperatures. But this current is not the condition that PTC can charging or discharging current for long time.

3. 规格书所规定的电阻以及电气特性，均是基于在维安指定测试板经过注塑或点焊之后的测试。如果客户有回流焊工序，会对上述参数有一定程度的衰减。所以需要验证其适用性。

All resistance and the electronic characteristics specified in the datasheet are based on the test tested on the specified testing board which is after one spot welding or injection. The applicability needs to be verified because above parameters may be attenuated if customer has reflow process.

4. PTC 为热敏元件，对环境温度比较敏感，建议在 PTC 周围不要设计热源元件，尽量减少外部热源的影响。

PTC is thermal sensitive device. It is recommended that no heat source devices be designed to around in order to reduce the outside heat source impact .

5. 条状 PTC 产品是为点焊或注塑封装形式，点焊位置不宜直接接触 PTC,注塑温度不宜高于 250℃。

The packing of Strap PTC is spot-welding or injection. The spot welding position should not contact PTC directly, and the injection temperature should not be higher than 250 ℃.

6. PTC 组装或应用过程中,所使用到的各类注塑料、单组份、双组份固化胶粘剂、硅胶，需要对注塑料胶料等材料牌号以及应用参数（如温度、时间等）进行验证，以确保产品及工艺的匹配性，确认不会影响 PTC 性能之后方可使用。

When assembling and applying PTC, the material mark and application parameters (Temperature, Time, and etc.) of all injection or plastic materials, like adhesives, silica gels and etc. should be verified to ensure the consistency between the products and the processing technology. Only it is confirmed that would not influence PTC then can be used.

7. PTC 组装或使用过程中，不建议使用洗板水或其他清洗剂进行清洗。如必须使用，需要验证各类清洗剂、洗板水以及溶剂的适用性，确认不会影响 PTC 性能之后方可使用。已知对 PTC 有影响的化学药品包括但不限于醚类、苯类、酮类以及脂类等较强溶解性、破坏性的有机化合物。清洗后将产品放置于敞开的环境中至少 24 小时，将残留的溶剂进行充分的挥发。

When assembling and applying PTC, it is not recommended that using washer water or other cleaner to clean PTC. If it is required, it is necessary to verify the applicability of various cleaner, washer water and solvents, it is also confirmed that they will not affect the PTC performance . Chemicals that are known to have an effect on PTC include, but are not limited to, highly solubility and destructive organic compounds such as ethers, benzenes, ketones, and lipids. Placing the product in open environment for at least 24 hours to volatilize the residual solvents.

8. 装配过程中，避免用暴力砸、挤、压、拉、扭、刺等方式作用 PTC 本体，以免引起 PTC 性能衰减。

Please do not smash, clamp, pull, dent, twist and etc. to PTC during assembling process to avoid the performance degradation.

9. PTC 为自恢复保护元件，但不能当做开关使用，重复多次的保护会降低 PTC 的维持电流。

PTC is resettable protector, which shall not be used as switch. The hold current will reduced after repeated tripping.

10. PTC 在应用中，建议给与 PTC 预留一定的空间，一般建议预留空间不小于 PTC 本体厚度的 20%。

In the application, It is recommended to reserve a certain space for the PTC, the reserved space is recommended not less than 20% of the PTC thickness.

11. 维安条状炭黑系 PTC 的保质期为出厂后 2 年，低阻系列为出厂后 1 年，请在 PTC 保质期内使用。

The Strap PTC shelf life of the Carbon Black series is 2 years after delivery, and LOWLOW series Strap PTC is 1 years after delivery. Please use it within the corresponding shelf life.

单击下面可查看定价，库存，交付和生命周期等信息

[>>WAY-ON\(维安\)](#)