

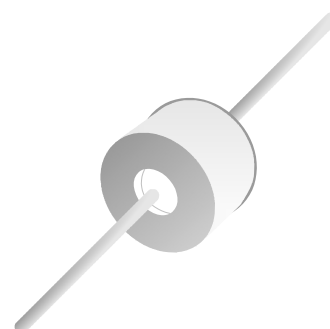


GDTA2RD8-XX(N)

Gas Discharge Tube

Features

- 2-electrode arrester
- Very small size
- Extremely fast response time
- Stable performance over life
- Extremely low capacitance (<1.5pF)
- High insulation resistance



Application

- Modem
- Splitter
- Base stations

Electrical specifications

Part number	DC Spark-over Voltage ^{1) 2)}	Maximum Impulse Spark-over Voltage	Service Life ³⁾	Insulation resistance	Capacitance	Marking Code
	100V/s	1kv/μs	8/20μs 10times	@ 100V _{DC}	@ 1 MHz	
	(V)	(V)	(KA)	(GΩ)	(pF)	
GDTA2RD8-75N	75 ± 20%	550	10	> 1 @50V _{DC}	< 1.5	Blue negative
GDTA2RD8-90N	90 ± 20%	600	10	> 1 @50V _{DC}	< 1.5	Blue negative
GDTA2RD8-150N	150 ± 20%	600	10	> 1	< 1.5	Blue negative
GDTA2RD8-230N	230 ± 20%	700	10	> 1	< 1.5	Blue negative
GDTA2RD8-350N	350 ± 20%	700	10	> 1	< 1.5	Blue negative
GDTA2RD8-470N	470 ± 20%	800	10	> 1	< 1.5	Blue negative
GDTA2RD8-600N	600 ± 20%	1000	10	> 1	< 1.5	Blue negative
GDTA2RD8-800N	800 ± 20%	1200	10	> 1	< 1.5	Blue negative
GDTA2RD8-1000	1000 ± 20%	1600	10	> 1	< 1.5	Blue negative
GDTA2RD8-2500	2500 ± 20%	4000	5	> 1	< 1.5	Blue negative
GDTA2RD8-3000	3000 ± 20%	4800	5	> 1	< 1.5	Blue negative
GDTA2RD8-3600	3600 ± 20%	5500	3	> 1	< 1.5	Blue negative

1) At delivery AQL 0.65 level II, DIN ISO 2859.

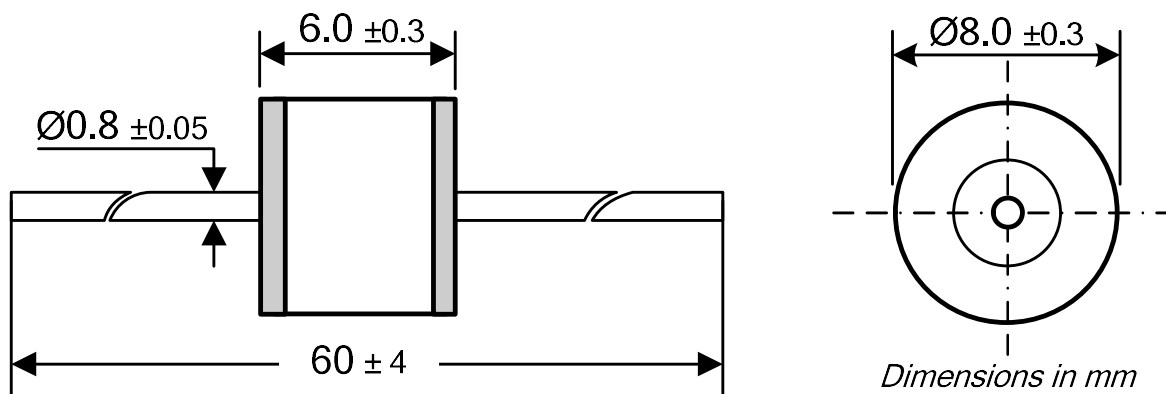
2) In ionized mode.

3) Tests according to ITU-T Rec. K. 12 , IEC61643-311 and UL 497B.

Thermal Resistances

Symbol	Parameter	Value	Unit
Ts & Tj	Storage & Operating temperature range	-40 to +85	°C

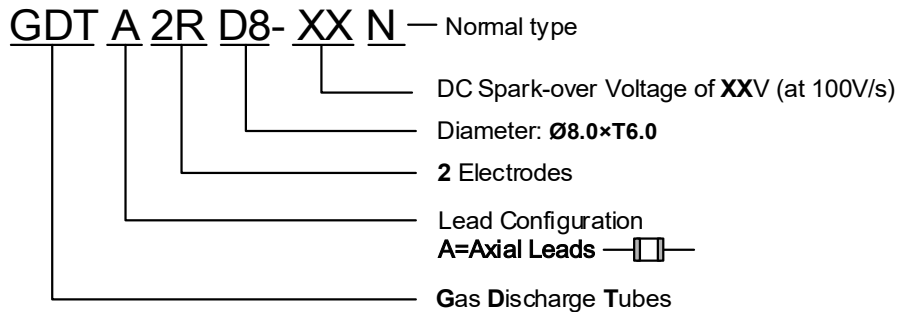
Dimensional drawing



Cautions and warnings

- Gas Discharge Tubes must not be operated directly in power supply networks.
- Gas Discharge Tubes may become hot in case of longer periods of current stress (danger of burning).
- Gas Discharge Tubes may be used only within their specified values. In case of overload, the head contacts may fail or the component may be destroyed.
- Damaged Gas Discharge Tubes must not be re-used.

Part Numbering System



Package Information

Quantity:100PCS(Plastic box)

Contact Information

No.1001, Shiwan(7) Road, Pudong District, Shanghai, P.R.China.201207

Tel: 86-21-68969993 Fax: 86-21-50757680 Email: market@way-on.com

WAYON website: <http://www.way-on.com>

For additional information, please contact your local Sales Representative.

WAYON ® are registered trademarks of Wayon Corporation.

Specifications are subject to change without notice.

The device characteristics and parameters in this data sheet can and do vary in different applications and actual device performance may vary over time. Users should verify actual device performance in their specific applications.

单击下面可查看定价，库存，交付和生命周期等信息

[>>WAY-ON\(维安\)](#)