

AO3401

P-Channel 30-V(D-S) MOSFET

V(BR)DSS	RDS(on)MAX	ID
-30 V	60mΩ@-10V	- 4.1A
	70mΩ@-4.5V	
	100mΩ@-2.5V	

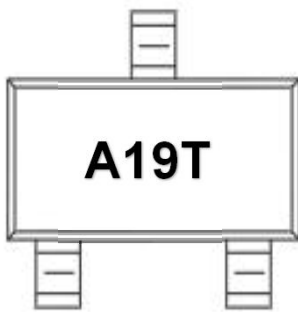
FEATURE

- ※ TrenchFET Power MOSFET
- ※ Exceptional on-resistance and maximum DC current capability
- ※ High dense cell design for extremely low RDS(ON)

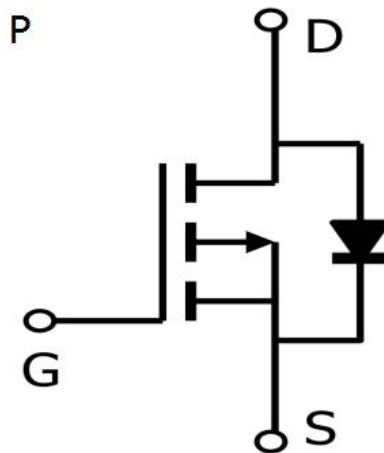
APPLICATION

- ※ Load Switch for Portable Devices
- ※ DC/DC Converter

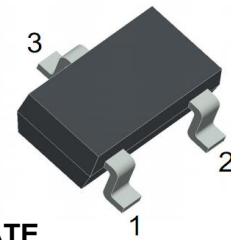
MARKING



Equivalent Circuit



SOT-23



- 1.GATE
- 2.SOURCE
- 3.DRAIN

Maximum ratings (Ta=25°C unless otherwise noted)

Parameter	Symbol	Value	Unit
Drain-Source Voltage	VDS	-30	V
Gate-Source Voltage	VGS	±12	
Continuous Drain Current	ID	-4.1	A
Pulsed Diode Current	IDM	-27	
Continuous Source-Drain Current(Diode Conduction)	IS	-2	
Power Dissipation	PD	1.4	W
Thermal Resistance from Junction to Ambient (t≤5s)	RθJA	125	°C/W
Operating Junction	TJ	150	°C
Storage Temperature	TSTG	-55~+150	°C

MOSFET ELECTRICAL CHARACTERISTICS

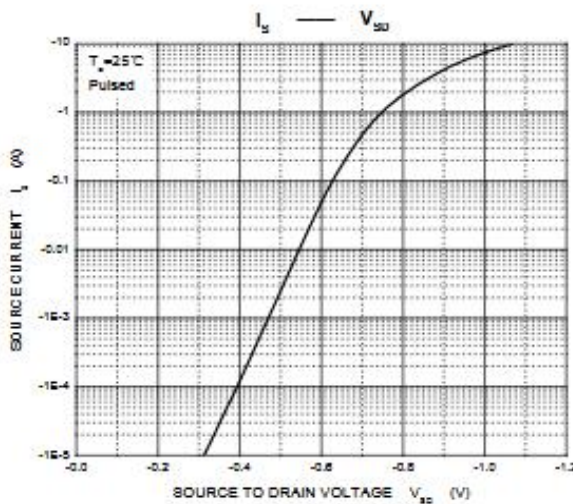
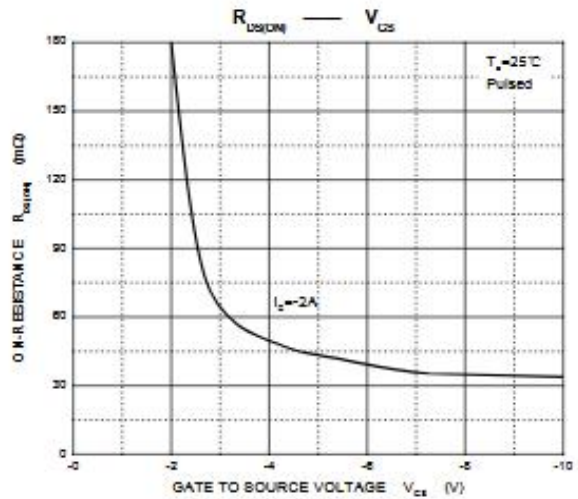
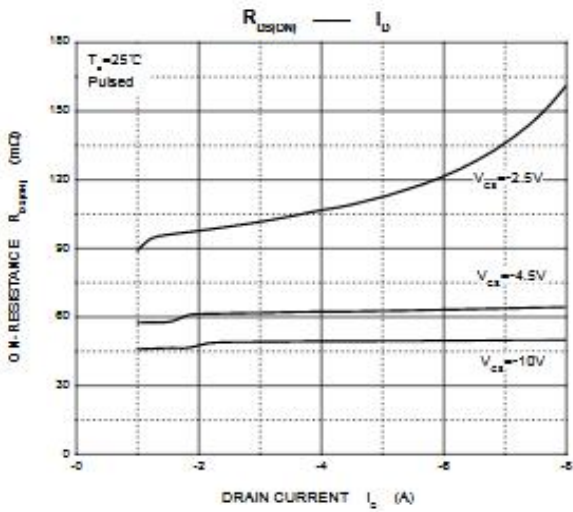
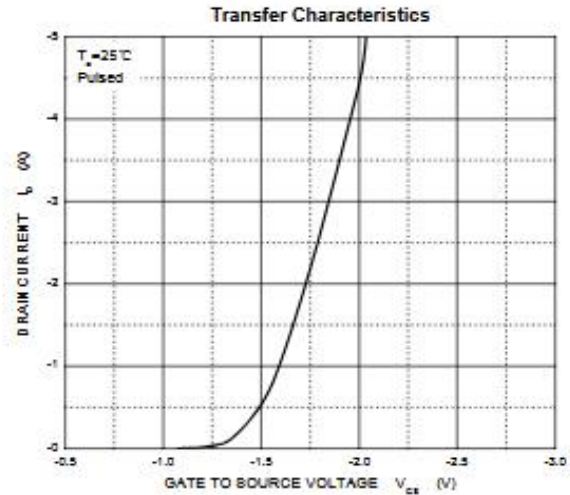
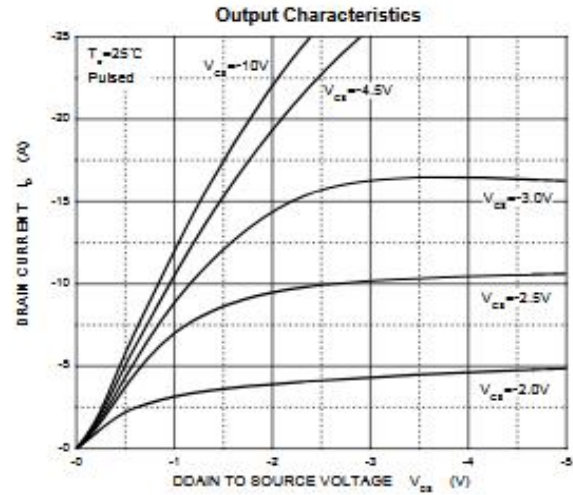
Static Electrical Characteristics (Ta = 25 °C Unless Otherwise Noted)

Parameter	Symbol	Test Condition	Min	Typ	Max	Unit
Static						
Drain-source breakdown voltage	V(BR)DSS	VGS = 0V, ID = -250μA	-30			V
Gate-source threshold voltage	VGS(th)	VDS = VGS, ID = -250μA	-0.6		-1.2	V
Gate-source leakage	IGSS	VDS = 0V, VGS = ±12V			±100	nA
Zero gate voltage drain current	IDSS	VDS = -30V, VGS = 0V			1	μA
Drain-source on-state resistancea	RDS(on)	VGS = -10V, ID = -2.8A		50	60	mΩ
		VGS = -4.5V, ID = -2.8A		55	70	mΩ
		VGS = -2.5V, ID = -2A		71	100	mΩ
Forward transconductancea	gfs	VDS = -4.5V, ID = -4.1A	7			S
Diode forward voltage	VSD	IS=1A,VGS=0V		-0.7	-1.3	V
Dynamic						
Input capacitance	Ciss	VDS = -15V,VGS = 0V, f=1MHz		645		pF
Output capacitance	Coss			80		pF
Reverse transfer capacitanceb	Crss			55		pF
Total gate charge	Qg	VDS = -15V,VGS = -10V, ID = -4.1A		14		nC
Gate-source charge	Qgs			1.5		nC
Gate-drain charge	Qgd			2.5		nC
Gate resistance	Rg	f=1MHz		8		Ω
Switchingb						
Turn-on delay time	td(on)	VDD= -15V RL=4Ω, ID ≈ -1A, VGEN= -10V,Rg=3Ω		6.3		ns
Rise time	tr			3.2		ns
Turn-off delay time	td(off)			41		ns
Fall time	tf			9		ns
Drain-source body diode characteristics						
Continuous Source-Drain Diode Current	IS	Tc=25°C			-1.3	A
Pulsed Diode forward Curren	ISM				-20	A

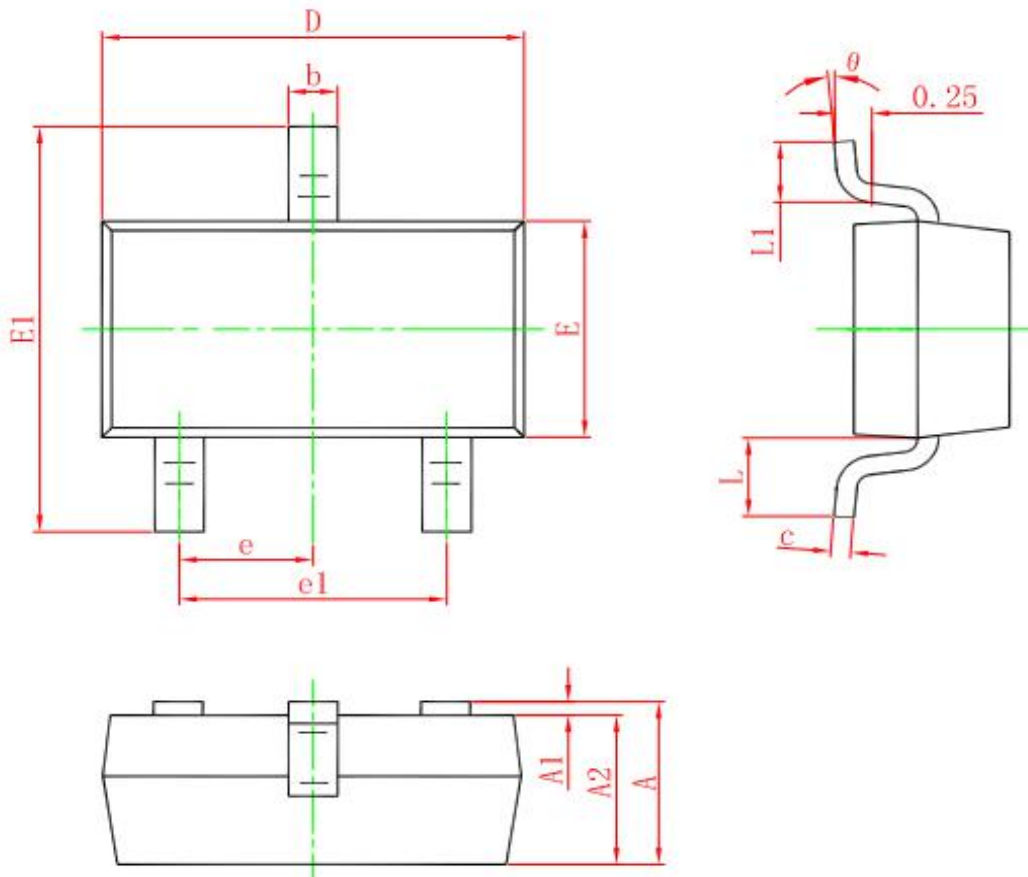
Note :

1. Repetitive Rating : Pulse width limited by maximum junction temperature.
2. Surface Mounted on FR4 Board, t < 5 sec.
3. Pulse Test : Pulse Width ≤ 300μs, Duty Cycle ≤ 2%.
4. Guaranteed by design, not subject to production testing.

Typical Characteristics:



SOT-23 PACKAGE OUTLINE DIMENSIONS



Symbol	Dimensions In Millimeters		Dimensions In Inches	
	Min.	Max.	Min.	Max.
A	0.900	1.150	0.035	0.045
A1	0.000	0.100	0.000	0.004
A2	0.900	1.050	0.035	0.041
b	0.300	0.500	0.012	0.020
c	0.080	0.150	0.003	0.006
D	2.800	3.000	0.110	0.118
E	1.200	1.400	0.047	0.055
E1	2.250	2.550	0.089	0.100
e	0.950 TYP.		0.037 TYP.	
e1	1.800	2.000	0.071	0.079
L	0.550 REF.		0.022 REF.	
L1	0.300	0.500	0.012	0.020
θ	0°	8°	0°	8°

单击下面可查看定价，库存，交付和生命周期等信息

[>>WDJ\(微电晶\)](#)