



MPCM301X, MPCM302X, MPCM305X Series

SOP4, DC Input, Random-Phase Photo TRIAC Photo Coupler

Description

The MPCM301X, MPCM302X and MPCM305X series combine an AlGaAs infrared emitting diode as the emitter which is optically coupled to a monolithic silicon random-phase photo triac in a plastic SOP4 package.

With the robust coplanar double mold structure, MPCM301X, MPCM302X and MPCM305X series provide the most stable isolation feature.

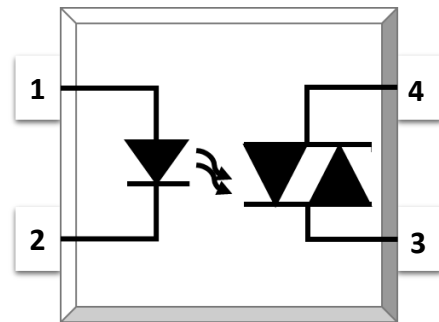
Features

- High isolation 3750 VRMS
- DC input with random-phase photo triac output
- Operating temperature range - 40 °C to 100 °C
- REACH & RoHS compliance
- Halogen free
- MSL class 1
- Regulatory Approvals
 - UL - UL1577
 - VDE - EN60747-5-5(VDE0884-5)
 - CQC – GB4943.1, GB8898

Applications

- Solenoid/valve controls
- Lighting controls
- Motor controls
- Temperature controls
- Static AC power switches
- Solid state relays
- Interfacing microprocessors to 115 to 240VAC peripherals

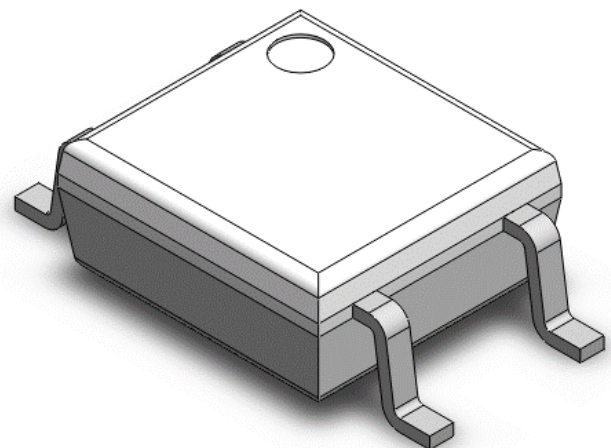
SCHEMATIC



PIN DEFINITION

1. Anode
2. Cathode
3. Terminal
4. Terminal

PACKAGE OUTLINE





MPCM301X, MPCM302X, MPCM305X Series
SOP4, DC Input, Random-Phase Photo TRIAC Photo Coupler

ABSOLUTE MAXIMUM RATINGS				
PARAMETER	SYMBOL	VALUE	UNIT	NOTE
INPUT				
Forward Current	I_F	60	mA	
Reverse Voltage	V_R	6	V	
Junction Temperature	T_j	125	°C	
Input Power Dissipation	P_i	100	mW	
OUTPUT				
Off-state Output Terminal Voltage	MPCM301X	V_{DRM}	250	V
	MPCM302X		400	
	MPCM305X		600	
Peak Repetitive Surge Current PW=100μs, 120pps	I_{TSM}	1	A	
Junction Temperature	T_j	125	°C	
Output Power Dissipation	P_o	300	mW	
COMMON				
Total Power Dissipation	P_{tot}	330	mW	
Isolation Voltage	V_{iso}	3750	V _{rms}	1
Operating Temperature	T_{opr}	-40~100	°C	
Storage Temperature	T_{stg}	-55~125	°C	
Soldering Temperature	T_{sol}	260	°C	2

Note 1. AC For 1 Minute, R.H. = 40 ~ 60%

Note 2. For 10 seconds



MPCM301X, MPCM302X, MPCM305X Series

SOP4, DC Input, Random-Phase Photo TRIAC Photo Coupler

ELECTRICAL OPTICAL CHARACTERISTICS at Ta=25°C							
PARAMETER	SYMBOL	MIN.	TYP.	MAX.	UNIT	TEST CONDITION	NOTE
INPUT							
Forward Voltage	V _F	-	1.24	1.4	V	I _F =10mA	
Reverse Current	I _R	-	-	10	μA	V _R =6V	
Input Capacitance	C _{in}	-	8.5	250	pF	V=0, f=1kHz	
OUTPUT							
Peak Off-state Current, Either Direction	I _{DRM}	-	-	100	nA	V _{DRM} =Rated V _{DRM} I _F =0	3
Peak On-state Current, Either Direction	V _{TM}	-	1.58	2.5	V	I _{TM} =100mA I _F =Rated I _{FT}	
Critical Rate of Rise of Off-state Voltage	dV/dt	1000	-	-	V/μs	V _{PEAK} =Rated V _{DRM}	4
TRANSFER CHARACTERISTICS							
LED Trigger Current	MPCM3010, MPCM3021, MPCM3051	I _{FT}	-	-	15	mA	Terminal Voltage = 3V I _{TM} =100mA
	MPCM3011, MPCM3022, MPCM3052		-	-	10		
	MPCM3012, MPCM3023, MPCM3053		-	-	5		
Holding Current	I _H	-	257	-	μA		
Isolation Resistance	R _{iso}	10 ¹²	10 ¹⁴	-	Ω	DC500V, 40 ~ 60% R.H.	
Floating Capacitance	C _{IO}	-	0.4	1	pF	V=0, f=1MHz	

Note3. Test voltage must be applied within dV/dt rating.

Note4. Refer to Fig.15 & Fig.16



MPCM301X, MPCM302X, MPCM305X Series

SOP4, DC Input, Random-Phase Photo TRIAC Photo Coupler

CHARACTERISTIC CURVES

Fig.1 Forward Current vs. Ambient Temperature

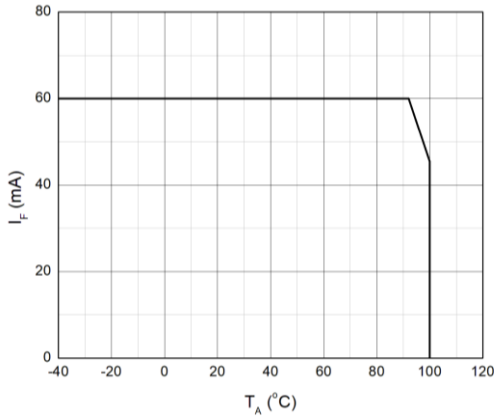


Fig.2 On-state Terminal Current vs. Ambient Temperature

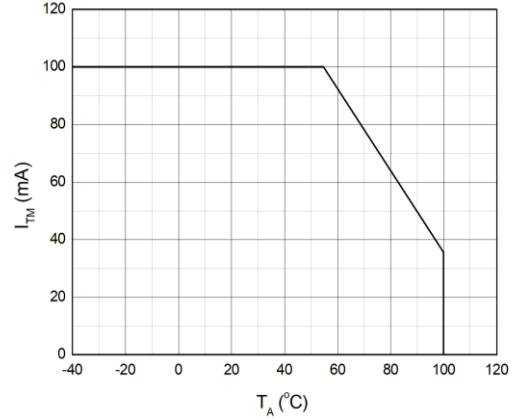


Fig.3 Forward Current vs. Forward Voltage

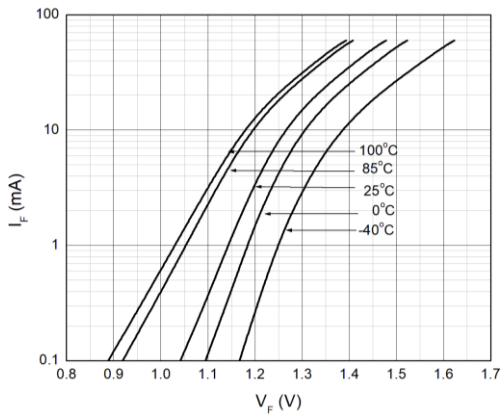


Fig.4 Off-state Terminal Current vs. Ambient Temperature

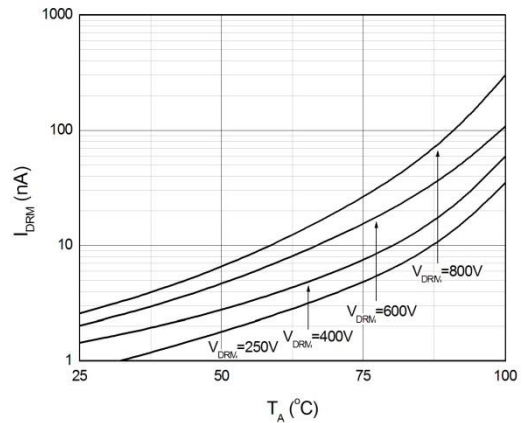


Fig.5 Normalized Off-state Terminal Voltage vs. Ambient Temperature

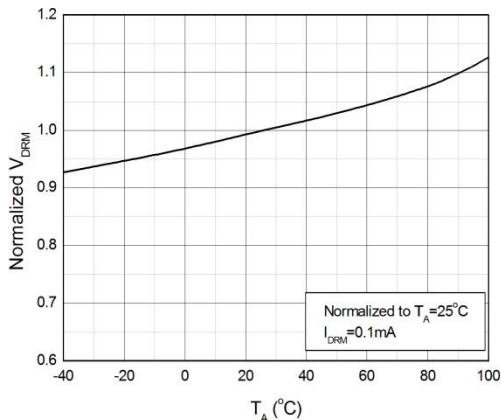
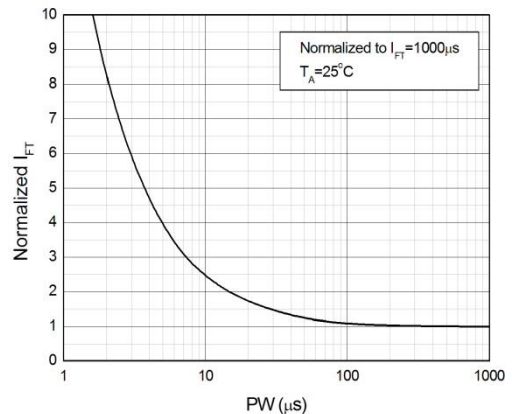


Fig.6 Normalized Trigger Current vs. LED Trigger Pulse Width





MPCM301X, MPCM302X, MPCM305X Series

SOP4, DC Input, Random-Phase Photo TRIAC Photo Coupler

CHARACTERISTIC CURVES

Fig.7 Normalized Trigger Current vs. Ambient Temperature

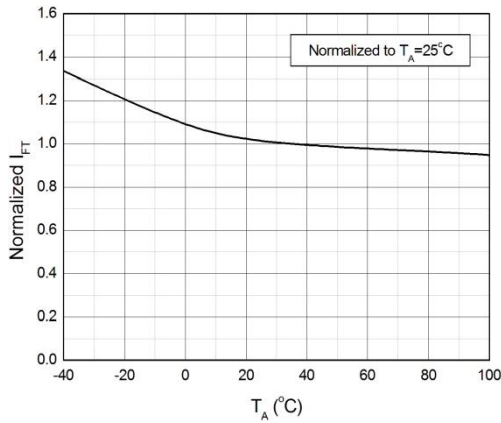


Fig.8 On-state Terminal Voltage vs. Ambient Temperature

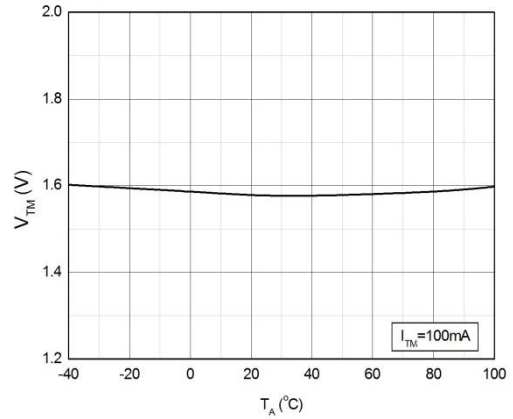


Fig.9 On-state Terminal Voltage vs. On-state Terminal Current

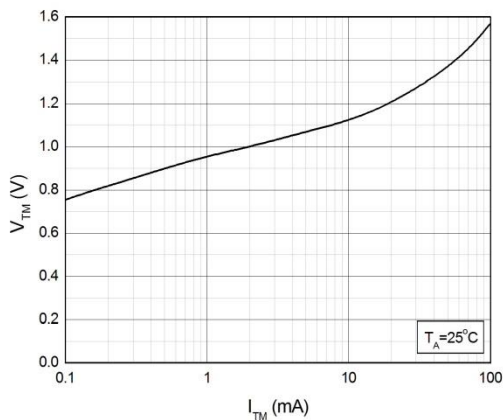


Fig.10 Holding Current vs. Ambient Temperature

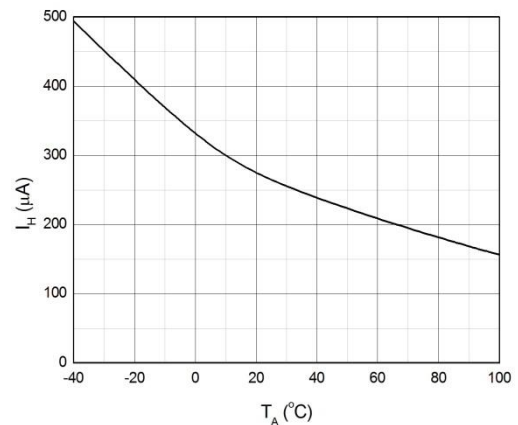


Fig.11 Turn On Time vs. Forward Current

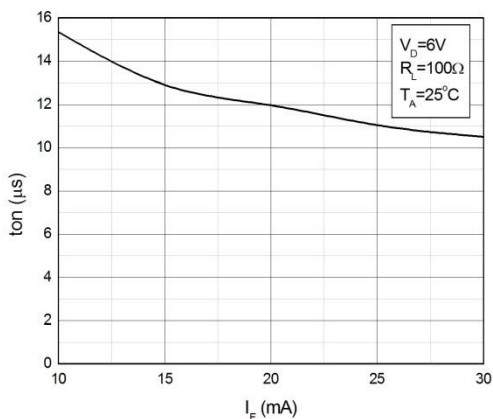
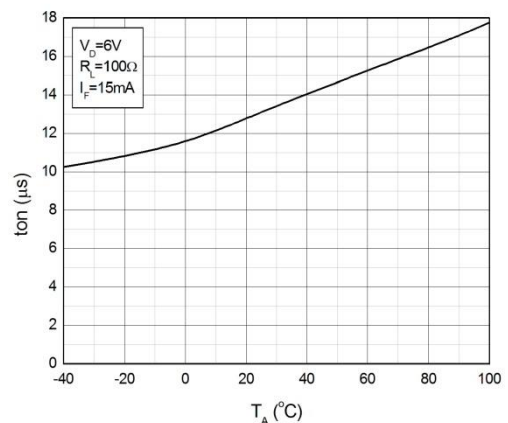


Fig.12 Turn On Time vs. Ambient Temperature





MPCM301X, MPCM302X, MPCM305X Series

SOP4, DC Input, Random-Phase Photo TRIAC Photo Coupler

TEST CIRCUITS

Fig.13 Test Circuits of Turn On Time

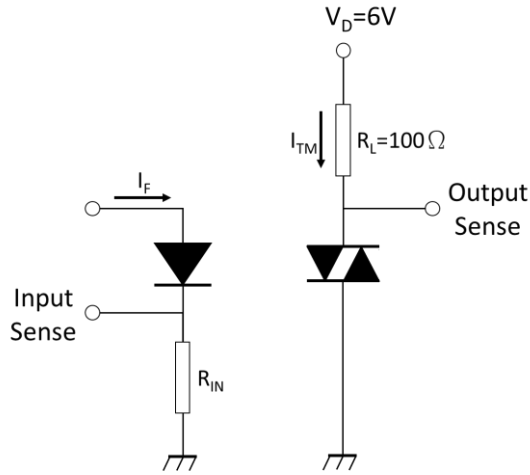


Fig.14 Waveforms of Turn On Time

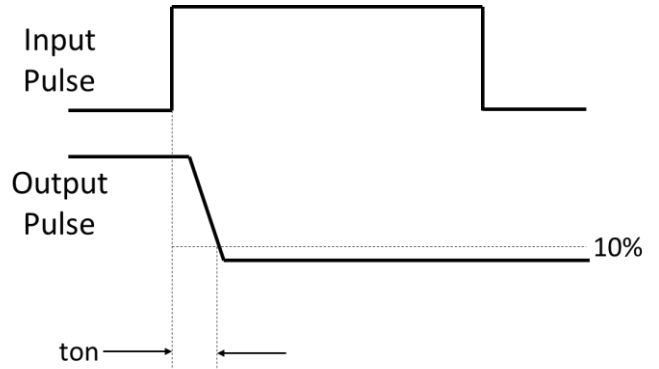


Fig.15 Test Circuits of dV/dt

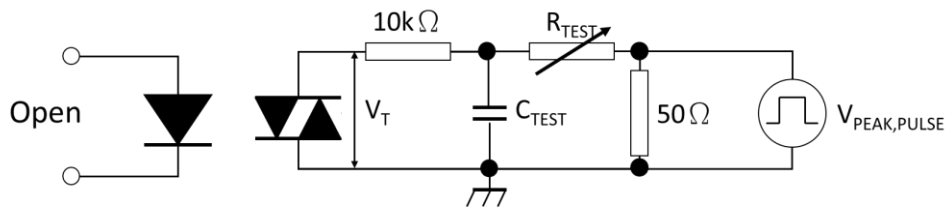
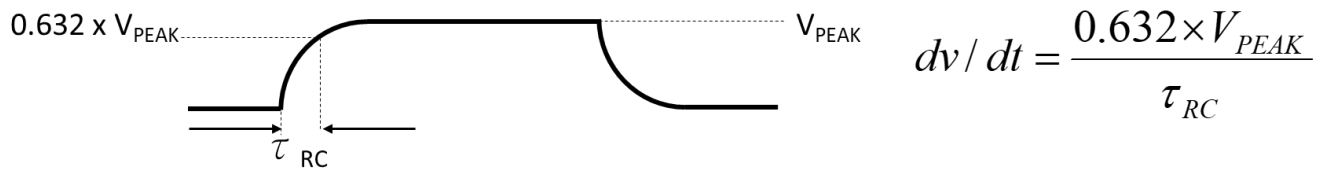


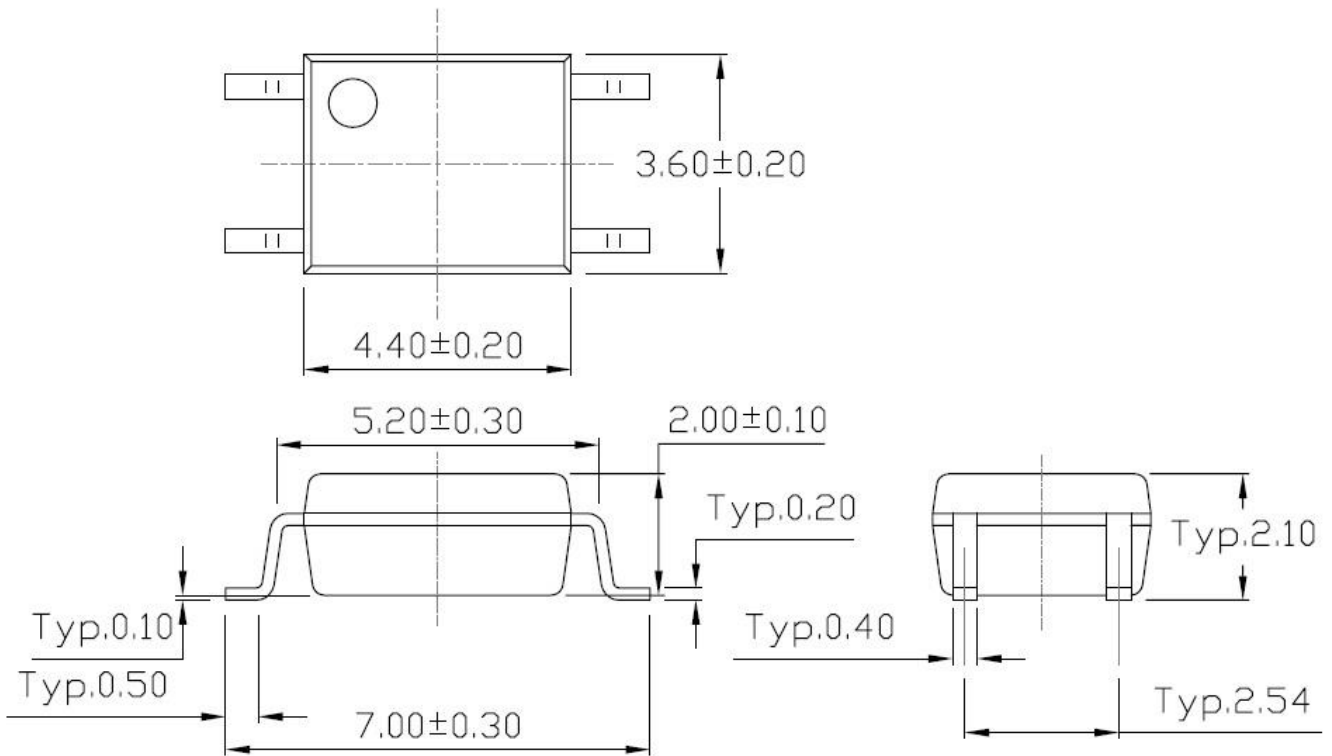
Fig.16 Waveforms of dV/dt



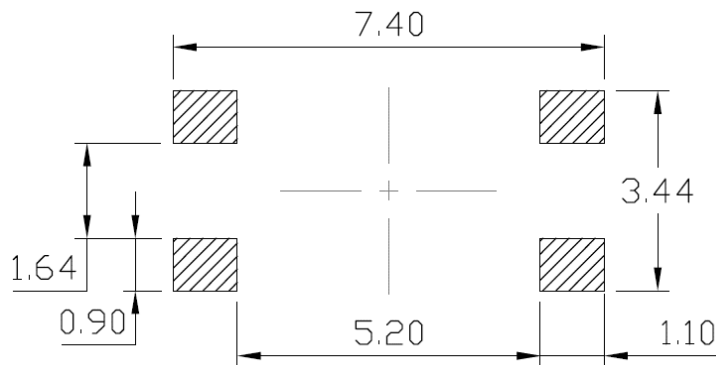


MPCM301X, MPCM302X, MPCM305X Series
SOP4, DC Input, Random-Phase Photo TRIAC Photo Coupler

PACKAGE DIMENSIONS (Dimensions in mm unless otherwise stated)



Recommended Solder Mask (Dimensions in mm unless otherwise stated)



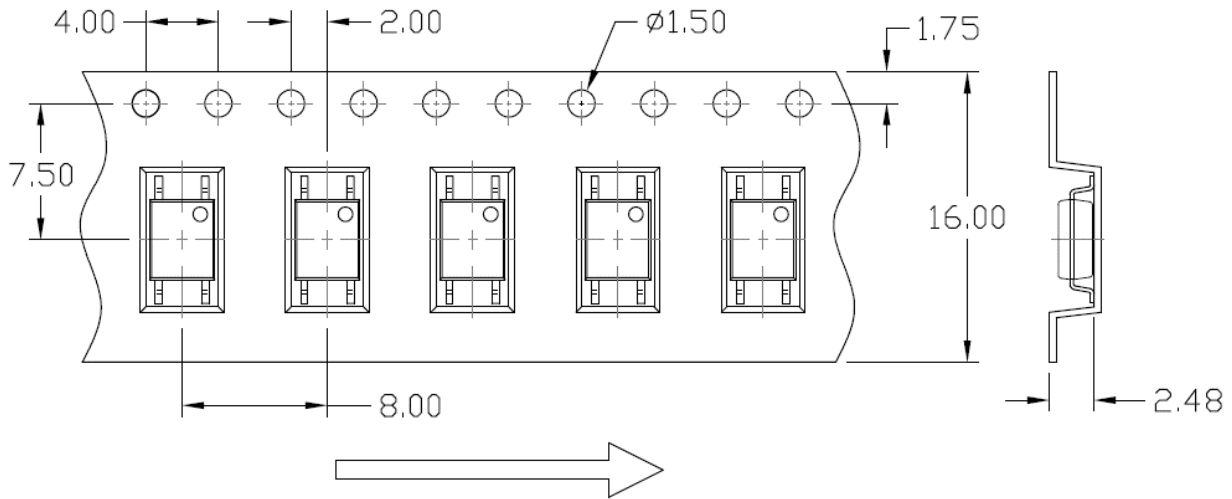


MPCM301X, MPCM302X, MPCM305X Series

SOP4, DC Input, Random-Phase Photo TRIAC Photo Coupler

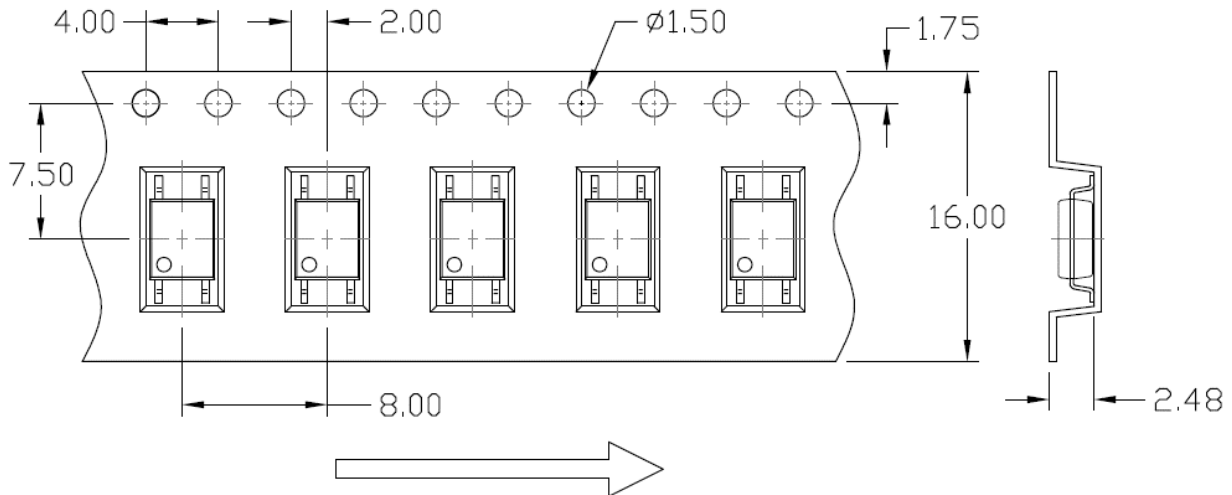
CARRIER TAPE SPECIFICATIONS (Dimensions in mm unless otherwise stated)

Option T1



General Tolerance: +/-0.1mm

Option T2



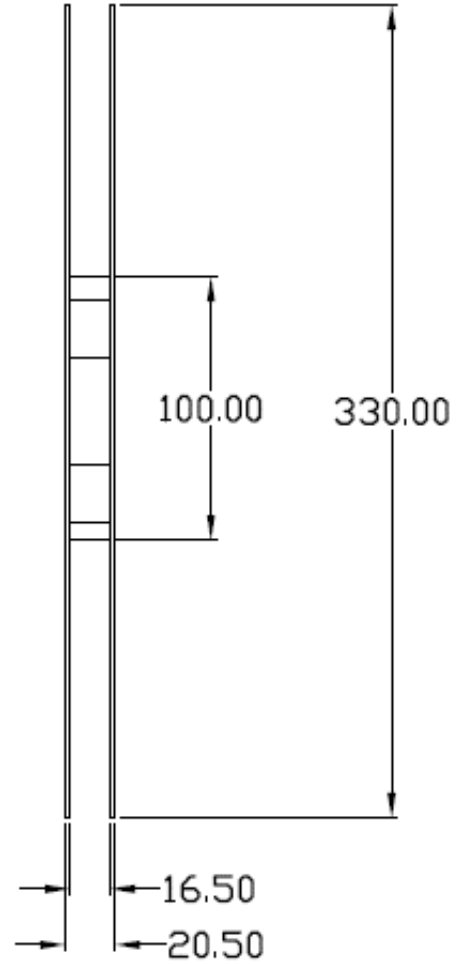
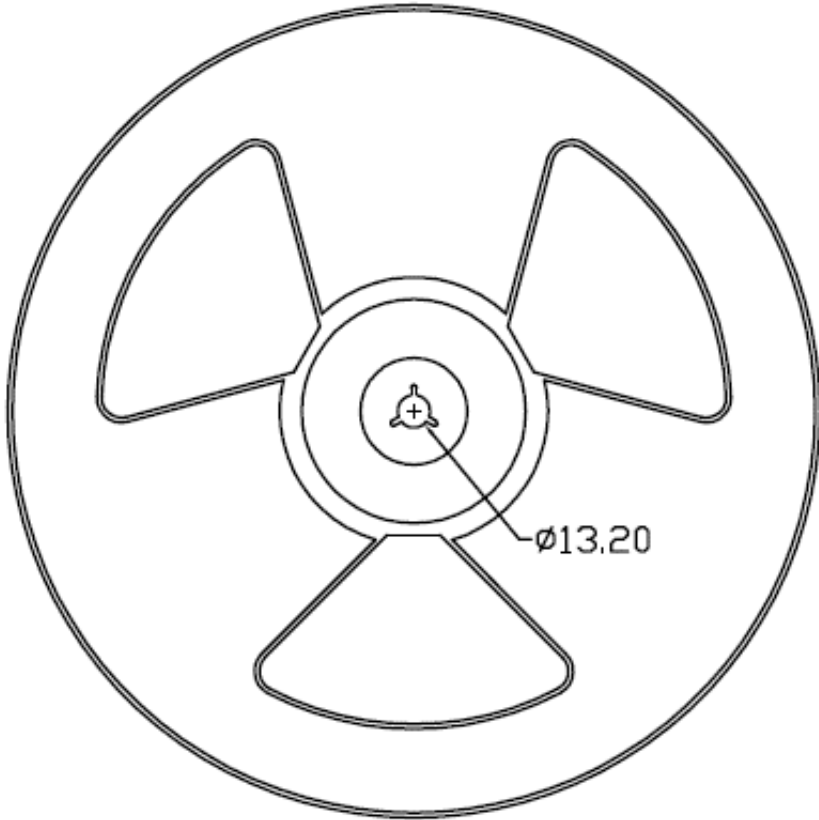
General Tolerance: +/-0.1mm



MPCM301X, MPCM302X, MPCM305X Series
SOP4, DC Input, Random-Phase Photo TRIAC Photo Coupler

REEL SPECIFICATIONS (Dimensions in mm unless otherwise stated)

Option T1 & T2



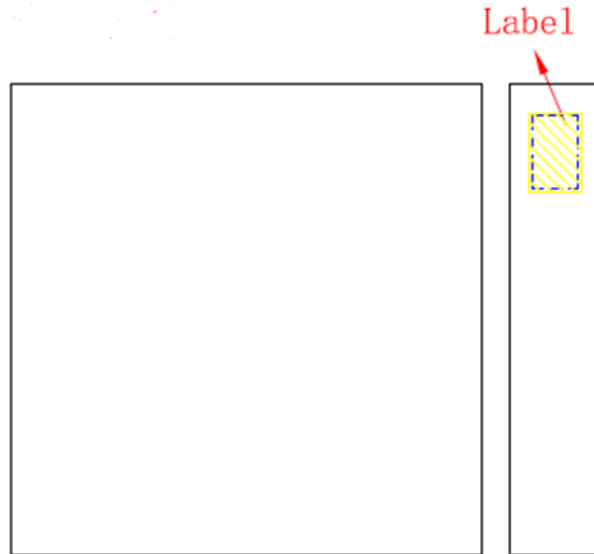


MPCM301X, MPCM302X, MPCM305X Series

SOP4, DC Input, Random-Phase Photo TRIAC Photo Coupler

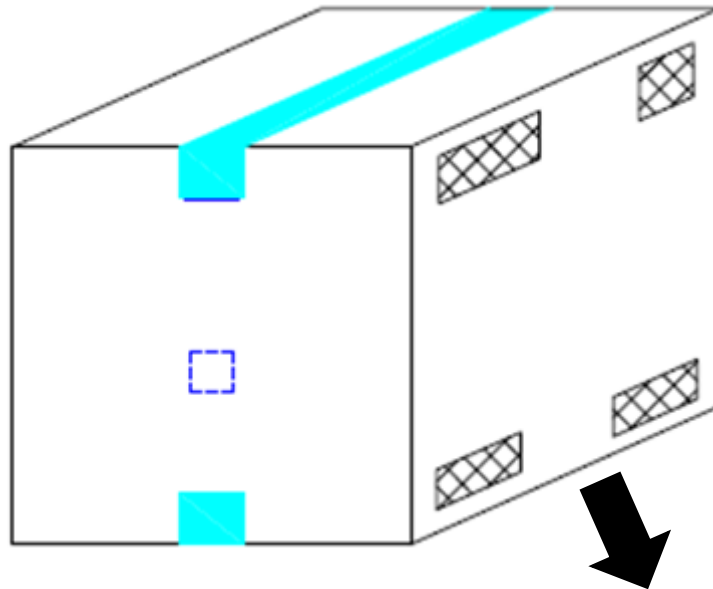
BOX SPECIFICATIONS (Reel Type)

Inner Box

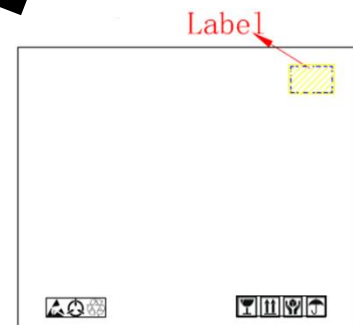


- L x W x H = 36cm x 36cm x 6.9cm

Outer Box



- L x W x H = 45cm x 38cm x 38cm

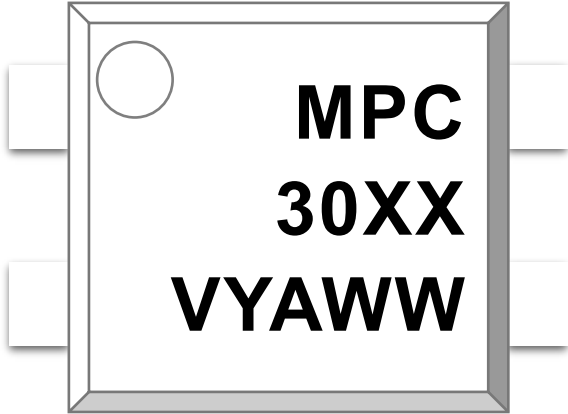




MPCM301X, MPCM302X, MPCM305X Series
SOP4, DC Input, Random-Phase Photo TRIAC Photo Coupler

ORDERING AND MARKING INFORMATION

MARKING INFORMATION



MPC : Company Abbr.
30XX : Part Number & Rank
V : VDE Option
Y : Fiscal Year
A : Manufacturing Code
WW : Work Week

ORDERING INFORMATION

MPCM30XX(Z)-GV

MPC – Company Abbr.
M – SOP Package
30XX – Rank
(10/11/12/21/22/23/51/52/53)
Z – Tape and Reel Option (T1/T2)
G – Green
V – VDE Option (V or None)

LABEL INFORMATION

MEMCHIP 喆光照明光電股份有限公司
WISELITE Optronics Co., Ltd
Part No : XXXXXXXXXXXXXXXX Bin Code : X
Lot No : XXXXXXXXXXXX
Date Code : XXXX
Q'ty : XXXX pcs

PACKING QUANTITY

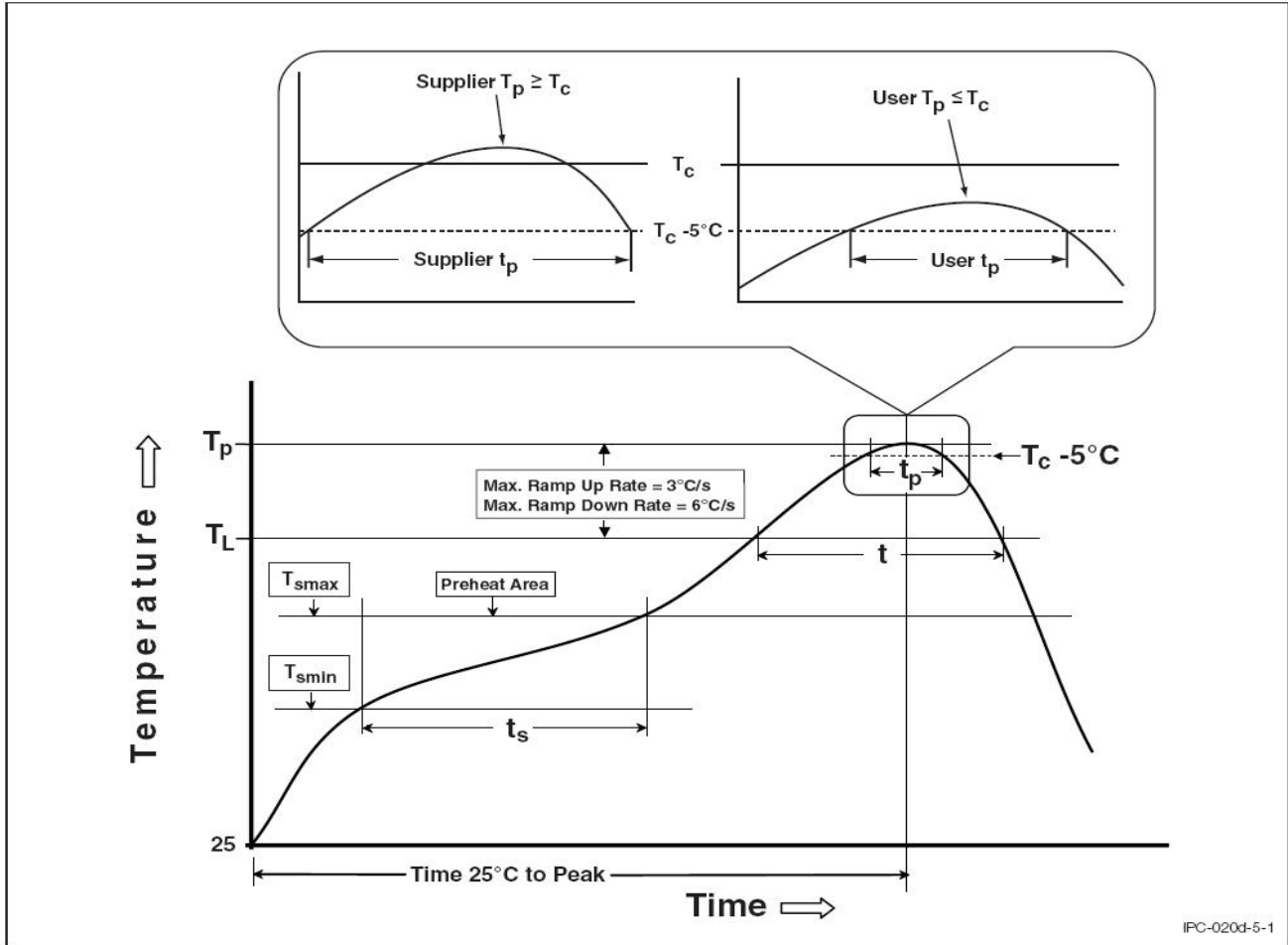
Option	Quantity	Quantity – Inner box	Quantity – Outer box
T1	3000 Units/Reel	3 Reels/Inner box	5 Inner box/Outer box = 45k Units
T2	3000 Units/Reel	3 Reels/Inner box	5 Inner box/Outer box = 45k Units



MPCM301X, MPCM302X, MPCM305X Series
SOP4, DC Input, Random-Phase Photo TRIAC Photo Coupler

REFLOW INFORMATION

REFLOW PROFILE



IPC-020d-5-1

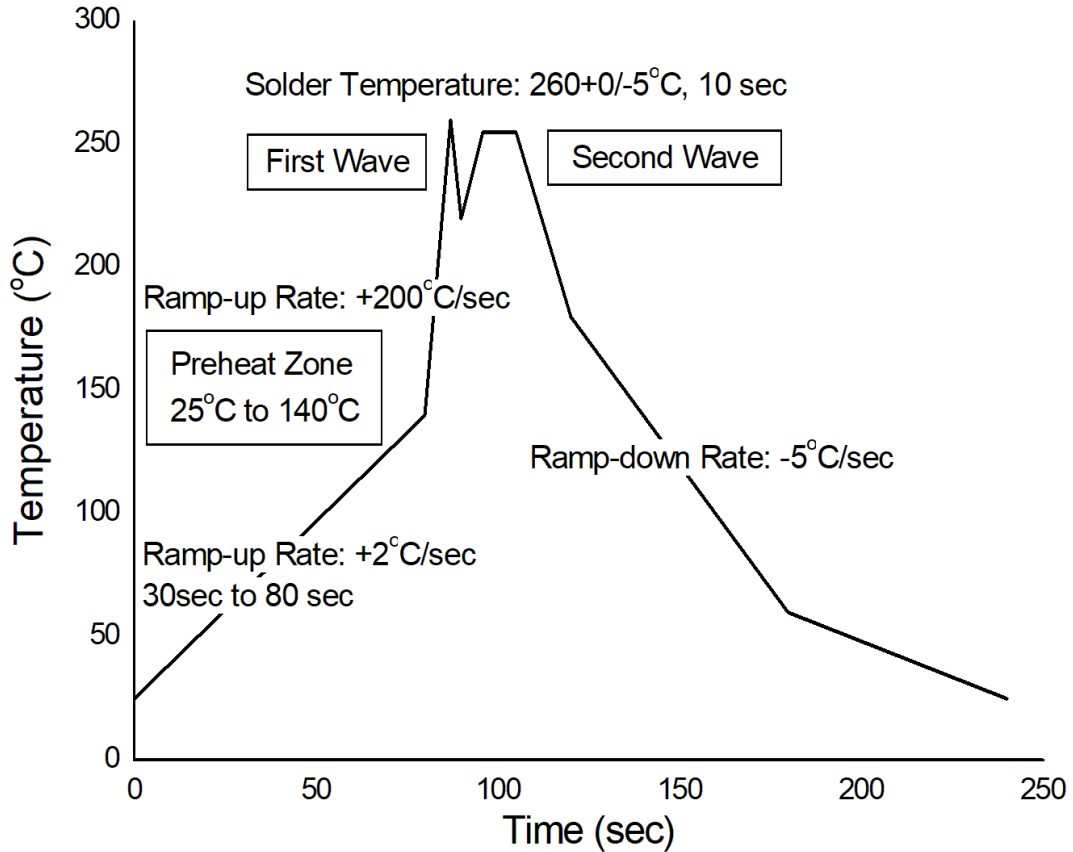
Profile Feature	Sn-Pb Assembly Profile	Pb-Free Assembly Profile
Temperature Min. (T_{smin})	100°C	150°C
Temperature Max. (T_{smax})	150°C	200°C
Time (t_s) from (T_{smin} to T_{smax})	60-120 seconds	60-120 seconds
Ramp-up Rate (t_L to t_P)	3°C/second max.	3°C/second max.
Liquidous Temperature (T_L)	183°C	217°C
Time (t_L) Maintained Above (T_L)	60 – 150 seconds	60 – 150 seconds
Peak Body Package Temperature	235°C +0°C / -5°C	260°C +0°C / -5°C
Time (t_P) within 5°C of 260°C	20 seconds	30 seconds
Ramp-down Rate (T_P to T_L)	6°C/second max	6°C/second max
Time 25°C to Peak Temperature	6 minutes max.	8 minutes max.



MPCM301X, MPCM302X, MPCM305X Series
SOP4, DC Input, Random-Phase Photo TRIAC Photo Coupler

TEMPERATURE PROFILE OF SOLDERING

WAVE SOLDERING (JESD22-A111 COMPLIANT)



HAND SOLDERING BY SOLDERING IRON

Soldering Temperature	380±0/-5°C
Soldering Time	3 sec max.

- One time soldering is recommended for all soldering method.
- Do not solder more than three times for IR reflow soldering.



MPCM301X, MPCM302X, MPCM305X Series

SOP4, DC Input, Random-Phase Photo TRIAC Photo Coupler

DISCLAIMER

- WISELITE is continually improving the quality, reliability, function and design. WISELITE reserves the right to make changes without further notices.
- The characteristic curves shown in this datasheet are representing typical performance which are not guaranteed.
- WISELITE makes no warranty, representation or guarantee regarding the suitability of the products for any particular purpose or the continuing production of any product. To the maximum extent permitted by applicable law, WISELITE disclaims (a) any and all liability arising out of the application or use of any product, (b) any and all liability, including without limitation special, consequential or incidental damages, and (c) any and all implied warranties, including warranties of fitness for particular
- The products shown in this publication are designed for the general use in electronic applications such as office automation, equipment, communications devices, audio/visual equipment, electrical application and instrumentation purpose, non-infringement and merchantability.
- This product is not intended to be used for military, aircraft, automotive, medical, life sustaining or lifesaving applications or any other application which can result in human injury or death.
- Please contact WISELITE sales agent for special application request.
- Immerge unit's body in solder paste is not recommended.
- Parameters provided in datasheets may vary in different applications and performance may vary over time. All operating parameters, including typical parameters, must be validated in each customer application by the customer's technical experts. Product specifications do not expand or otherwise modify WISELITE's terms and conditions of purchase, including but not limited to the warranty expressed therein.
- Discoloration might be occurred on the package surface after soldering, reflow or long-time use. It neither impacts the performance nor reliability.

单击下面可查看定价，库存，交付和生命周期等信息

[>>WISELITE\(蓝光\)](#)