



# MPC852 Series

## DIP4, DC Input, Photo Darlington Transistor Coupler

### Description

The MPC852 series combine an AlGaAs infrared emitting diode as the emitter which is optically coupled to a silicon planar darlington phototransistor detector in a plastic DIP4 package with different lead forming options. With the robust coplanar double mold structure, MPC852 series provide the most stable isolation feature.

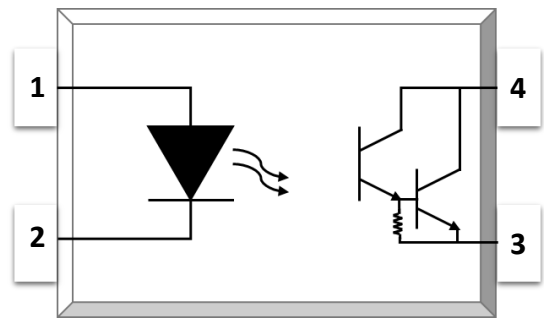
### Features

- High isolation 5000 VRMS
- CTR flexibility available see order information
- DC input with transistor output
- Operating temperature range - 55 °C to 110 °C
- REACH compliance
- Halogen free
- MSL class 1
- Regulatory Approvals
  - UL - UL1577
  - VDE - EN60747-5-5(VDE0884-5)
  - CQC – GB4943.1, GB8898

### Applications

- Sequence controller
- Telephone/FAX
- System appliances, measuring instrument
- Programmable logic controller

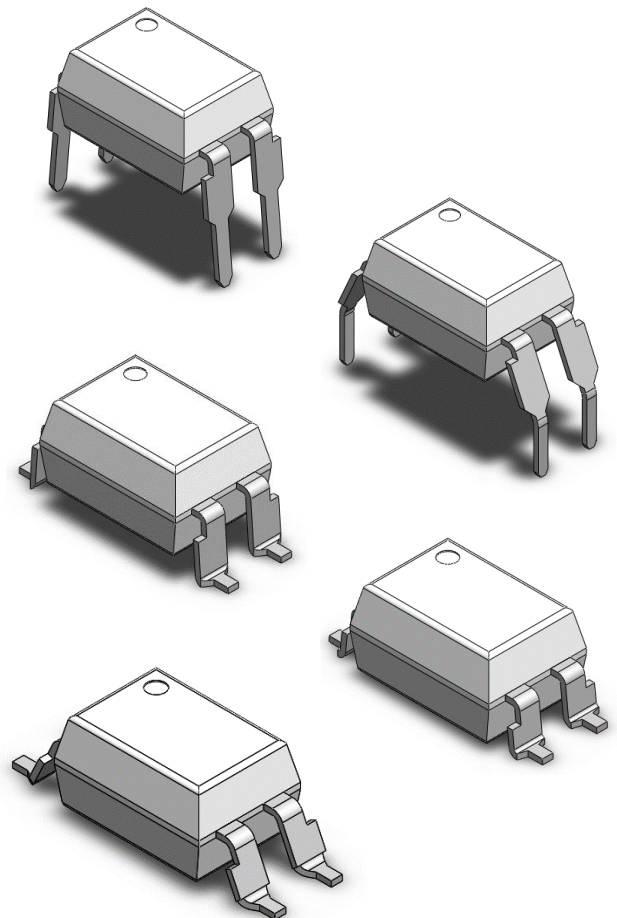
### SCHEMATIC



### PIN DEFINITION

1. Anode
2. Cathode
3. Emitter
4. Collector

### PACKAGE OUTLINE





# MPC852 Series

## DIP4, DC Input, Photo Darlington Transistor Coupler

### ABSOLUTE MAXIMUM RATINGS

PARAMETER	SYMBOL	VALUE	UNIT	NOTE
INPUT				
Forward Current	$I_F$	60	mA	
Peak Forward Current	$I_{FP}$	1	A	1
Reverse Voltage	$V_R$	6	V	
Input Power Dissipation	$P_i$	100	mW	
OUTPUT				
Collector - Emitter Voltage	$V_{CEO}$	350	V	
Emitter - Collector Voltage	$V_{ECO}$	0.1	V	
Collector Current	$I_C$	150	mA	
Output Power Dissipation	$P_o$	150	mW	
COMMON				
Total Power Dissipation	$P_{tot}$	200	mW	
Isolation Voltage	$V_{iso}$	5000	V <sub>rms</sub>	2
Operating Temperature	$T_{opr}$	-55~100	°C	
Storage Temperature	$T_{stg}$	-55~125	°C	
Soldering Temperature	$T_{sol}$	260	°C	

Note 1. 100 $\mu$ s pulse, 100Hz frequency

Note 2. AC For 1 Minute, R.H. = 40 ~ 60%



# MPC852 Series

## DIP4, DC Input, Photo Darlington Transistor Coupler

ELECTRICAL OPTICAL CHARACTERISTICS at Ta=25°C							
PARAMETER	SYMBOL	MIN	TYP.	MAX.	UNIT	TEST CONDITION	NOTE
INPUT							
Forward Voltage	V <sub>F</sub>	-	1.24	1.4	V	IF=10mA	
Reverse Current	I <sub>R</sub>	-	-	10	μA	VR=6V	
Input Capacitance	C <sub>in</sub>	-	10	-	pF	V=0, f=1kHz	
OUTPUT							
Collector Dark Current	I <sub>CEO</sub>	-	-	200	nA	VCE=200V, IF=0	
Collector-Emitter Breakdown Voltage	BV <sub>CEO</sub>	350	-	-	V	IC=0.1mA, IF=0	
Emitter-Collector Breakdown Voltage	BV <sub>ECO</sub>	0.1	-	-	V	IE=0.1mA, IF=0	
TRANSFER CHARACTERISTICS							
Current Transfer Ratio	CTR	1000	-	15000	%	IF=1mA, VCE=2V	
Collector-Emitter Saturation Voltage	V <sub>CE(sat)</sub>	-	-	1.2	V	IF=20mA, IC=100mA	
Isolation Resistance	R <sub>iso</sub>	10 <sup>12</sup>	10 <sup>14</sup>	-	Ω	DC500V, 40 ~ 60% R.H.	
Floating Capacitance	C <sub>lo</sub>	-	0.6	1	pF	V=0, f=1MHz	
Cut-off Frequency	f <sub>c</sub>	-	6	-	kHz	VCE=5V, IC=2mA RL=100Ω, -3dB	3
Response Time (Rise)	t <sub>r</sub>	-	88	300	μs	VCE=2V, IC=20mA	4
Response Time (Fall)	t <sub>f</sub>	-	22	100	μs	RL=100Ω	4

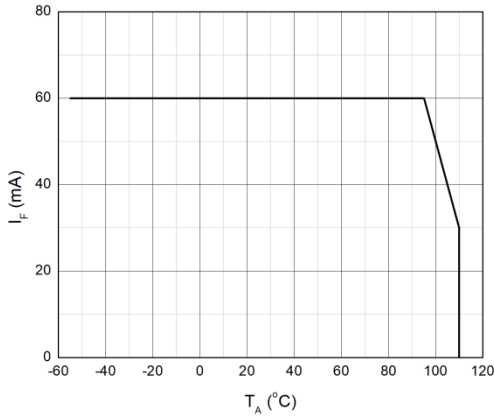
Note 3. Fig.12&13

Note 4. Fig.14

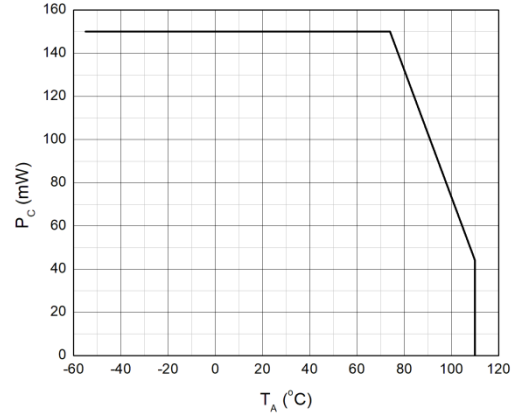


### CHARACTERISTIC CURVES

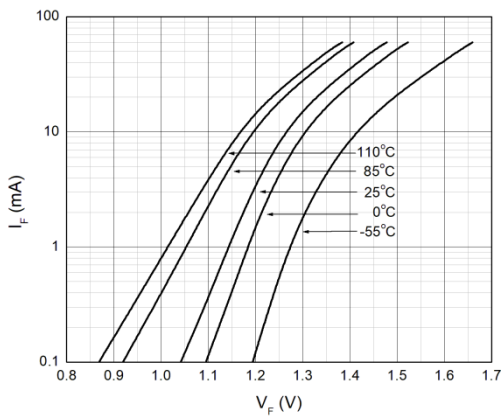
**Fig.1 Forward Current vs. Ambient Temperature**



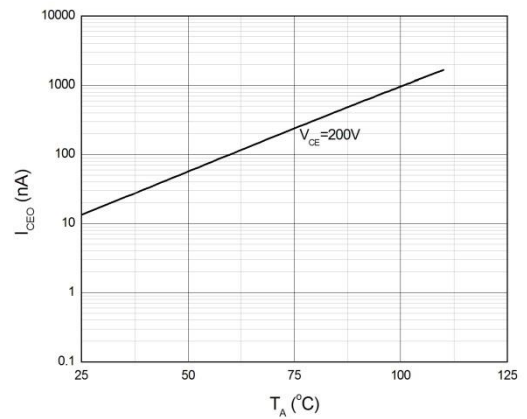
**Fig.2 Collector Power Dissipation vs. Ambient Temperature**



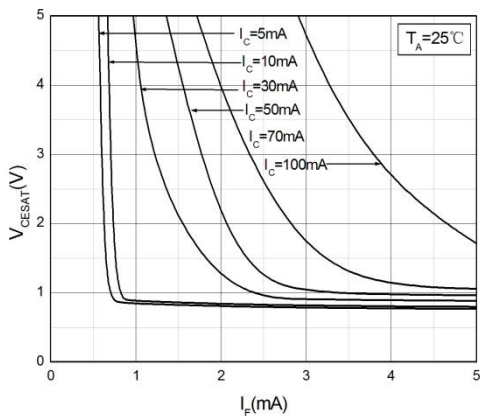
**Fig.3 Forward Current vs. Forward Voltage**



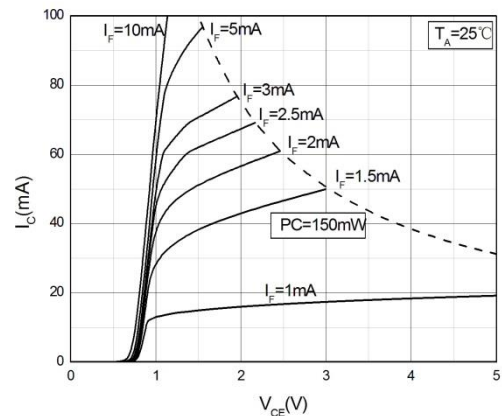
**Fig.4 Collector Dark Current vs. Ambient Temperature**



**Fig.5 Collector-emitter Saturation Voltage vs. Forward Current**



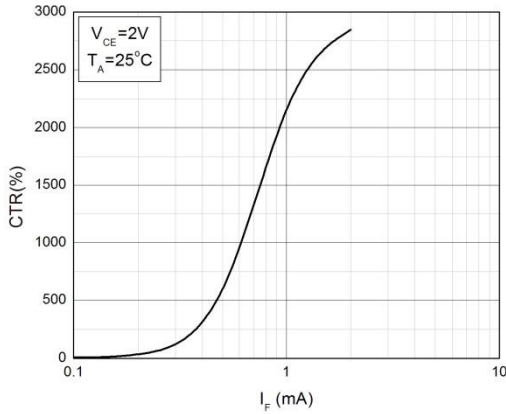
**Fig.6 Collector Current vs. Collector-emitter Voltage**



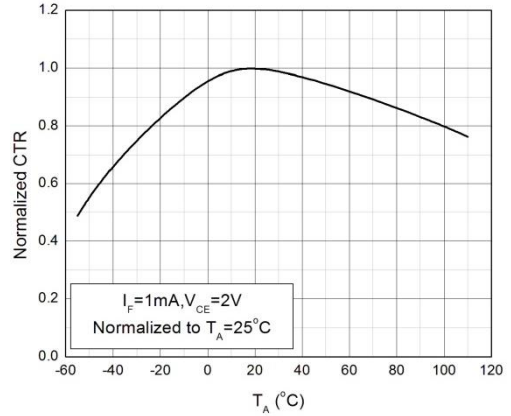


### CHARACTERISTIC CURVES

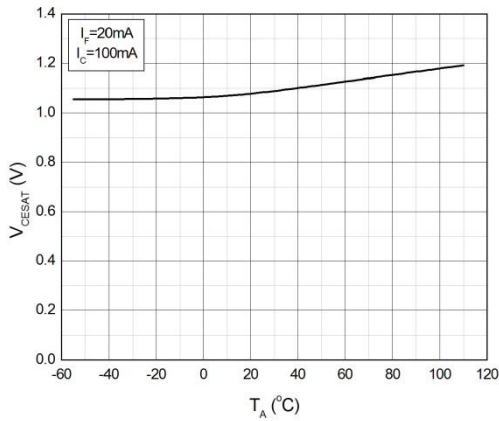
**Fig.7 Normalized Current Transfer Ratio vs. Forward Current**



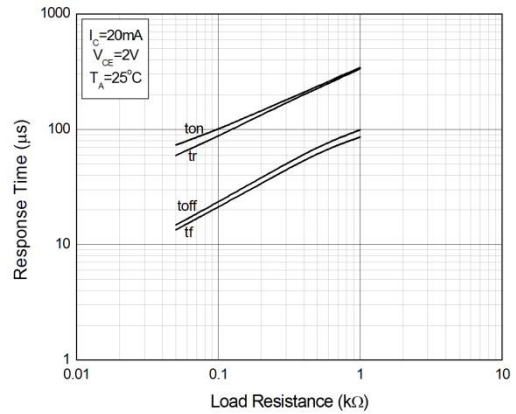
**Fig.8 Normalized Current Transfer Ratio vs. Ambient Temperature**



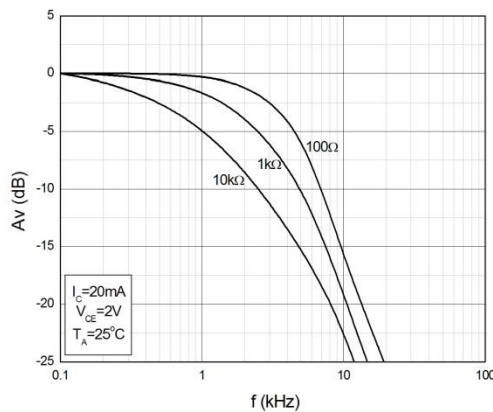
**Fig.9 Collector-emitter Saturation Voltage vs. Ambient Temperature**



**Fig.10 Switching Time vs. Load Resistance**

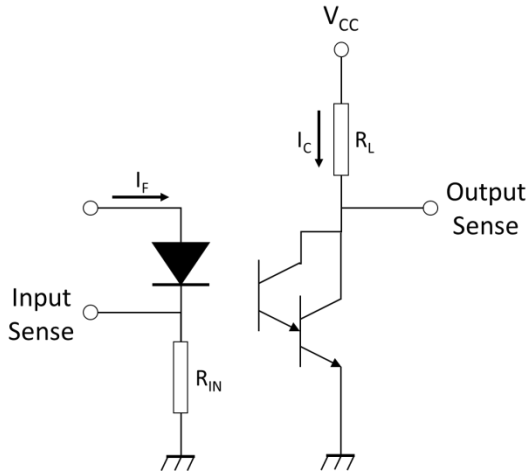


**Fig.11 Frequency Response**

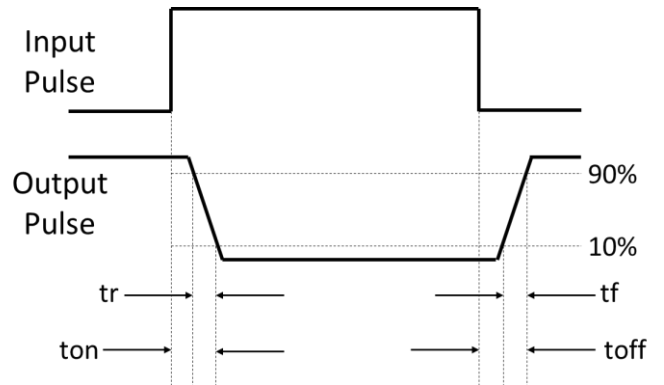


### TEST CIRCUITS

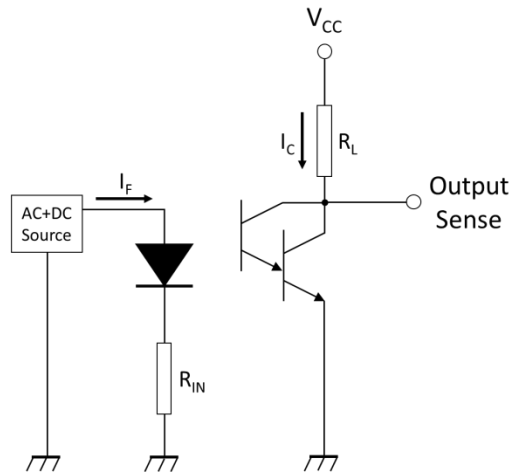
**Fig.12 Test Circuits of Response Time**



**Fig.13 Curves of Response Time**



**Fig.14 Test Circuits of Frequency Response**



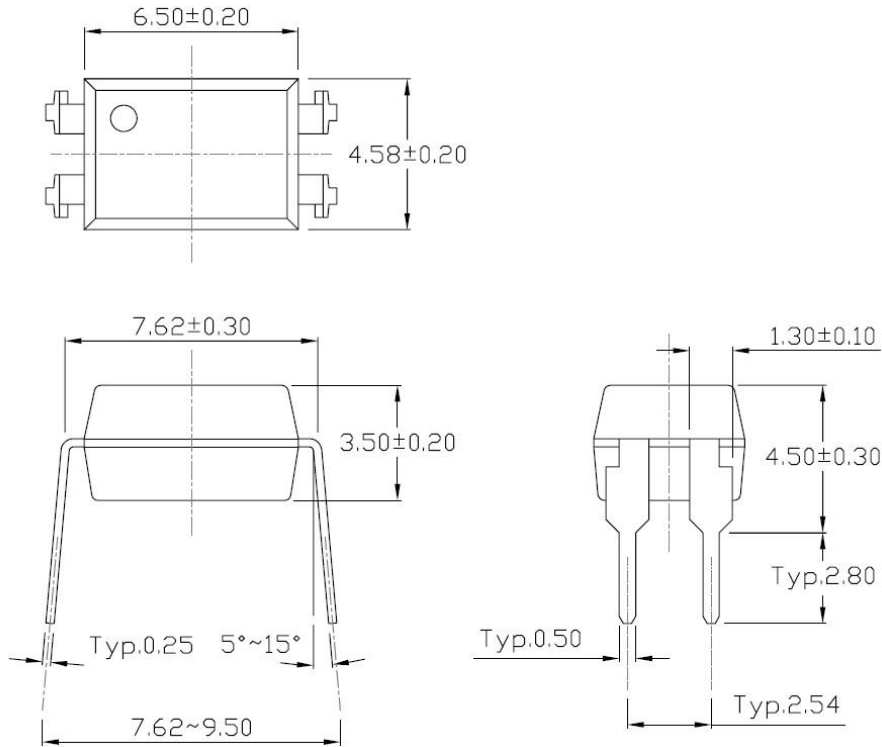


# MPC852 Series

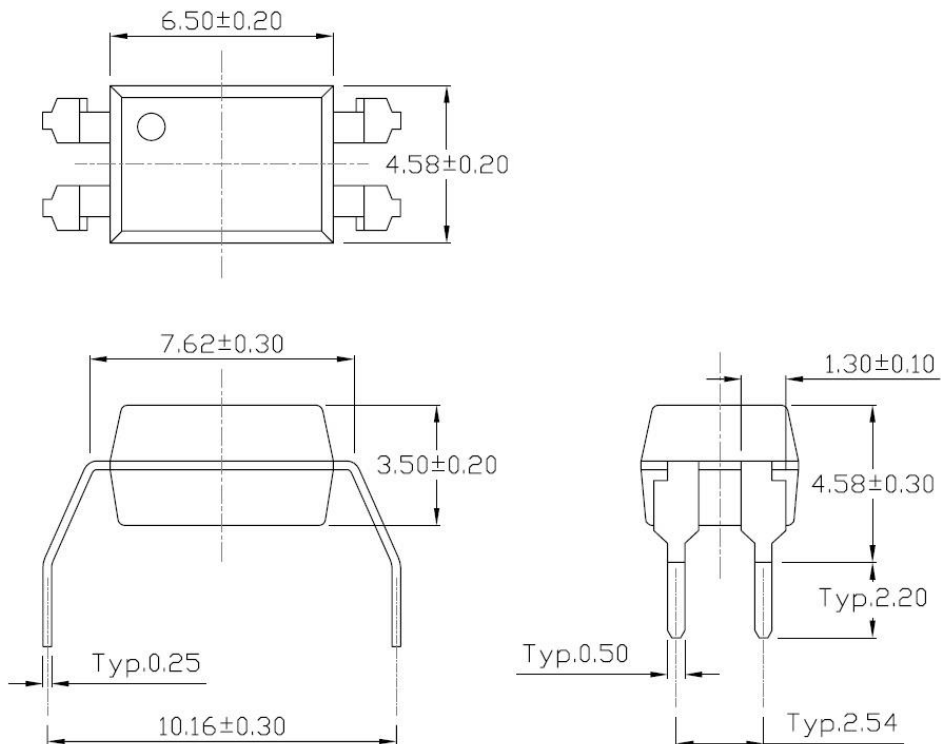
## DIP4, DC Input, Photo Darlington Transistor Coupler

### PACKAGE DIMENSIONS (Dimensions in mm unless otherwise stated)

#### Standard DIP – Through Hole (DIP Type)



#### Gullwing (400mil) Lead Forming – Through Hole (M Type)







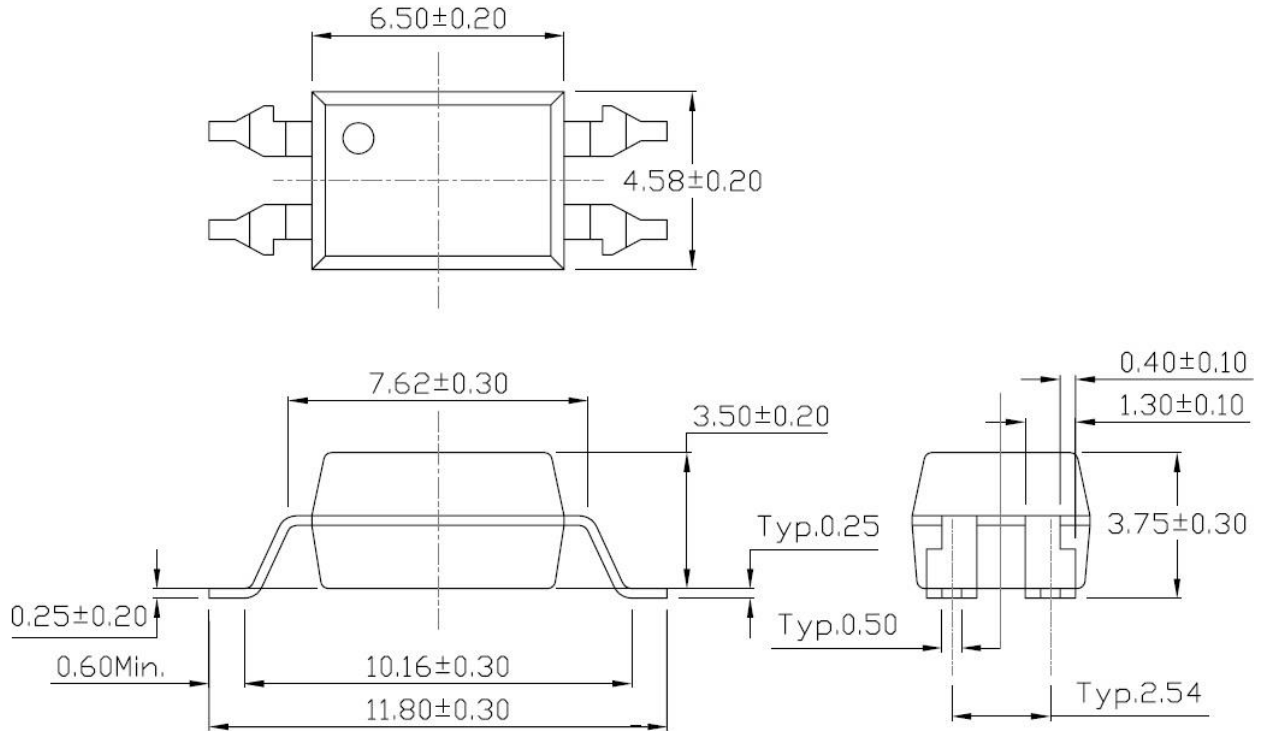


# MPC852 Series

## DIP4, DC Input, Photo Darlington Transistor Coupler

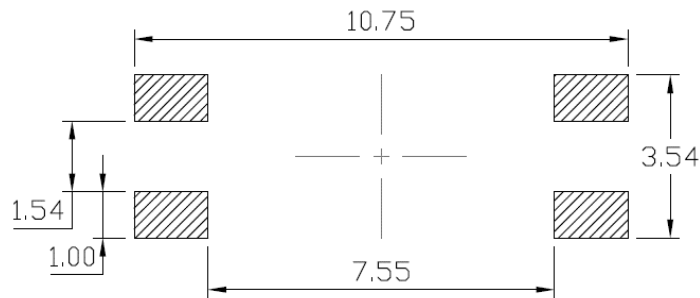
### PACKAGE DIMENSIONS (Dimensions in mm unless otherwise stated)

#### Surface Mount (Gullwing) Lead Forming (SLM Type)

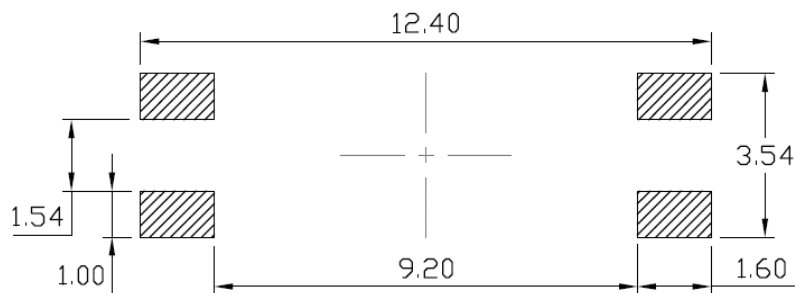


### RECOMMENDED SOLDER MASK (Dimensions in mm unless otherwise stated)

#### Surface Mount Lead Forming & Surface Mount (Low Profile) Lead Forming



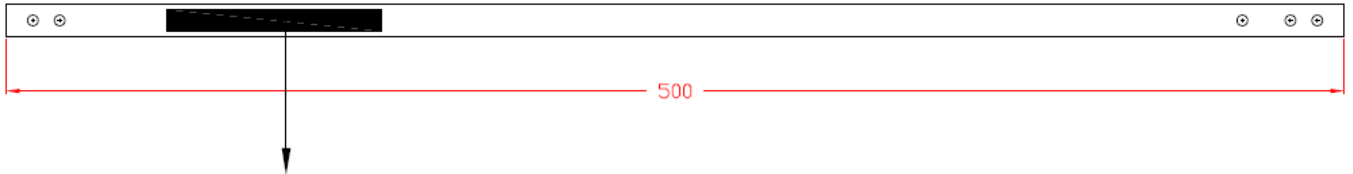
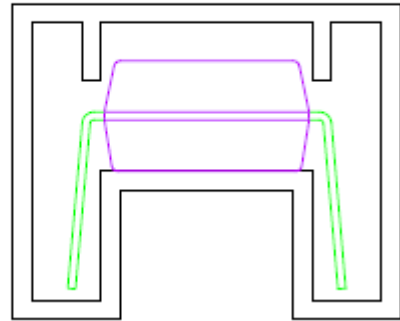
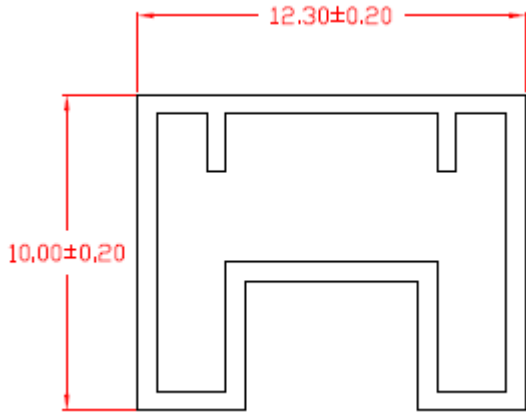
#### Surface Mount (Gullwing) Lead Forming



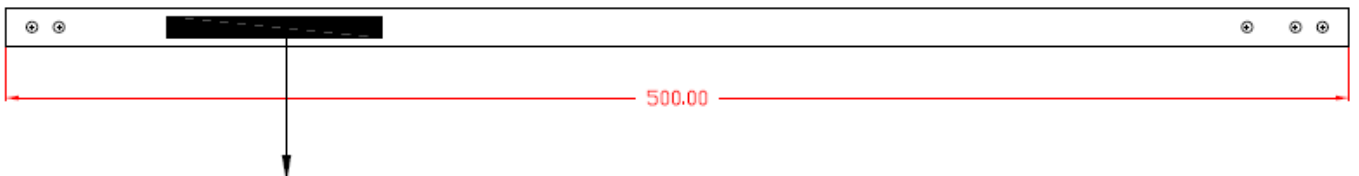
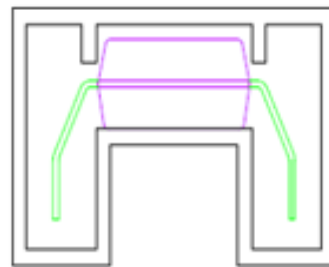
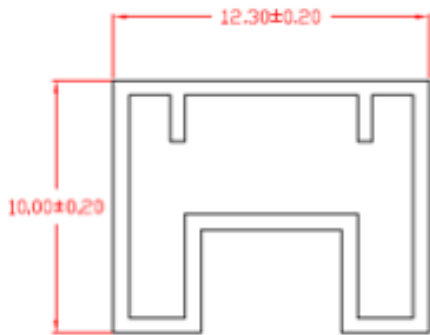


### TUBE SPECIFICATIONS (Dimensions in mm unless otherwise stated)

#### Standard DIP



#### Option M





# MPC852 Series

## DIP4, DC Input, Photo Darlington Transistor Coupler

### BOX SPECIFICATIONS (Tube Type)

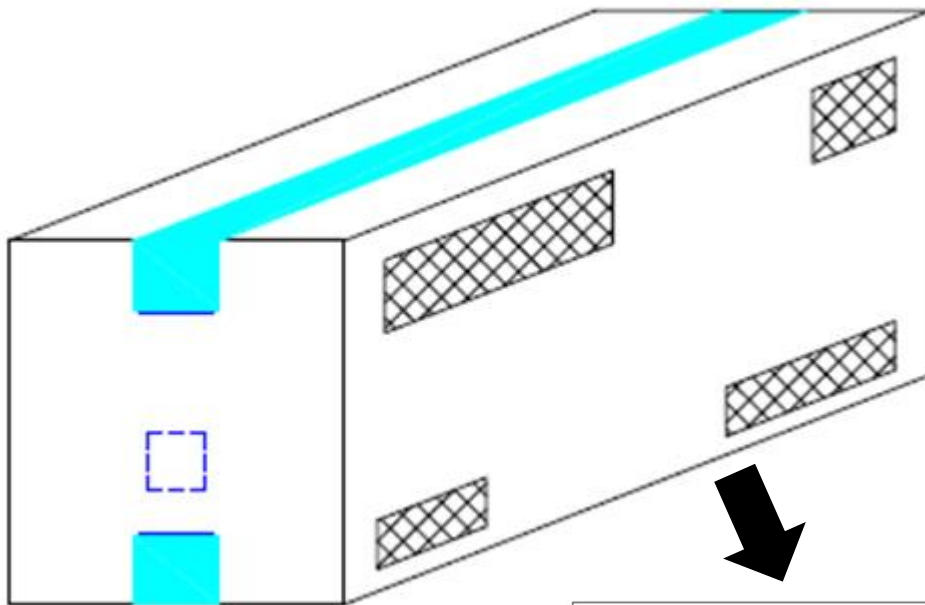
#### Inner Box

Label



- L x W x H = 52.5cm x 10.7cm x 4.7cm

#### Outer Box



Label



- L x W x H = 53.5cm x 23.5cm x 25.5cm

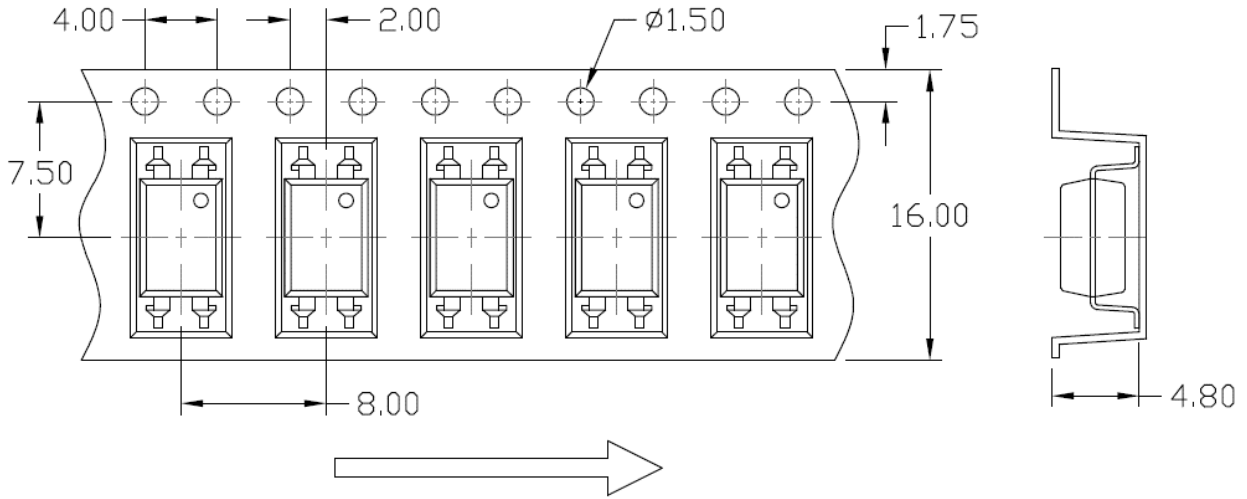


# MPC852 Series

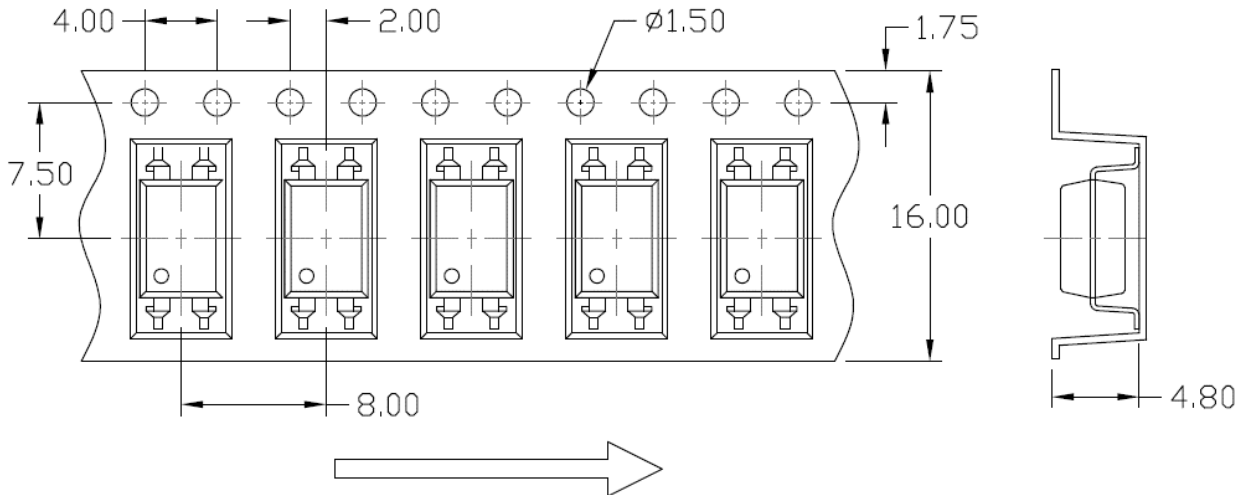
## DIP4, DC Input, Photo Darlington Transistor Coupler

### CARRIER TAPE SPECIFICATIONS (Dimensions in mm unless otherwise stated)

#### Option S(T1) & SL(T1)



#### Option S(T2) & SL(T2)



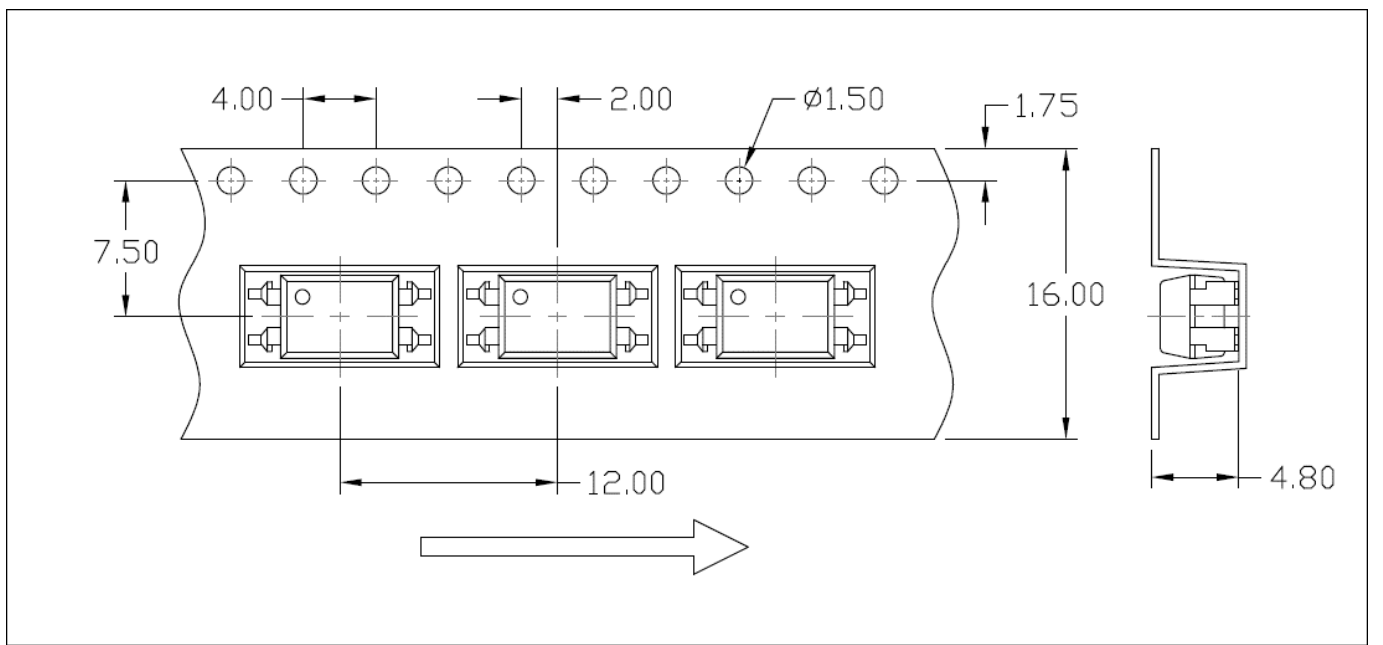


# MPC852 Series

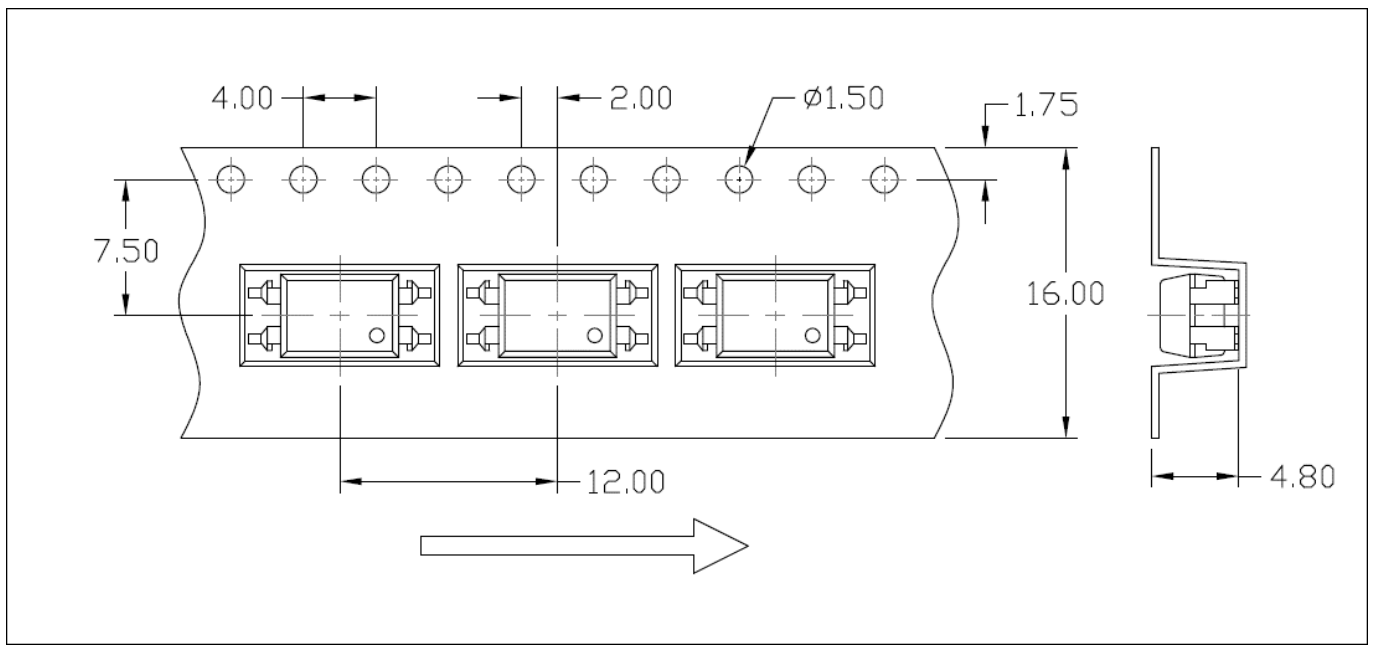
## DIP4, DC Input, Photo Darlington Transistor Coupler

### CARRIER TAPE SPECIFICATIONS (Dimensions in mm unless otherwise stated)

#### Option S(T3) & SL(T3)



#### Option S(T4) & SL(T4)



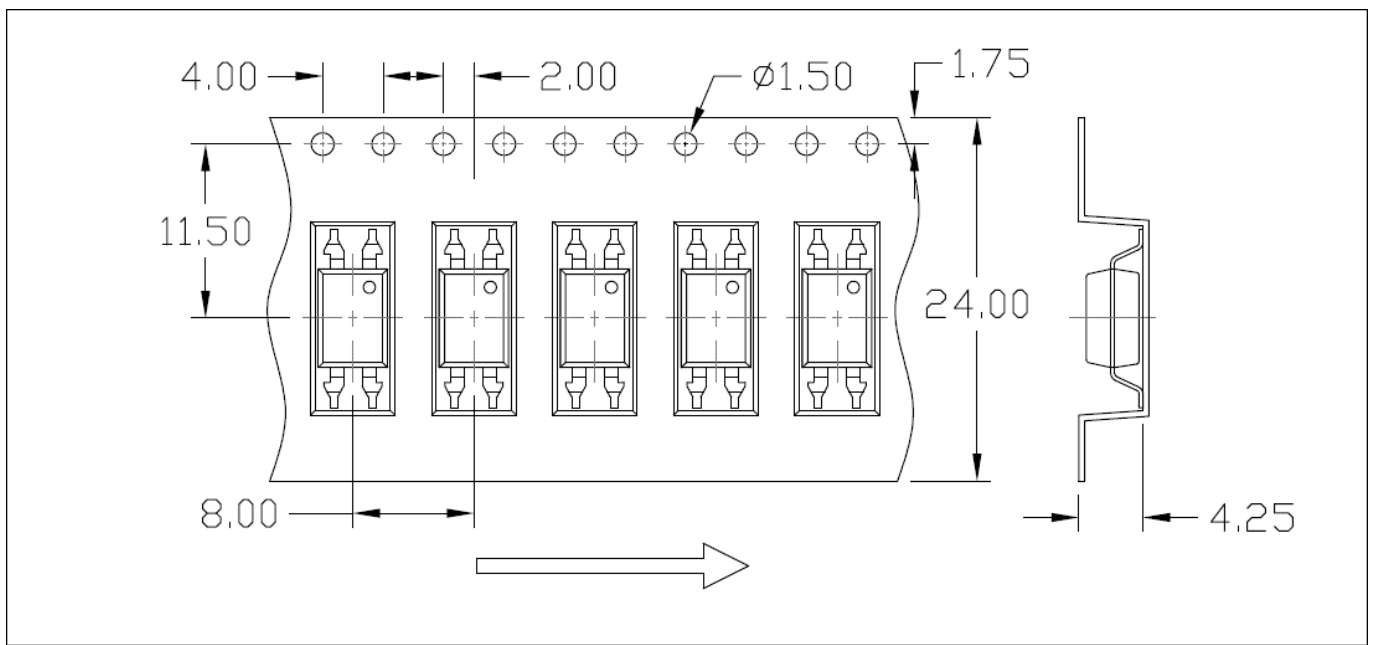


# MPC852 Series

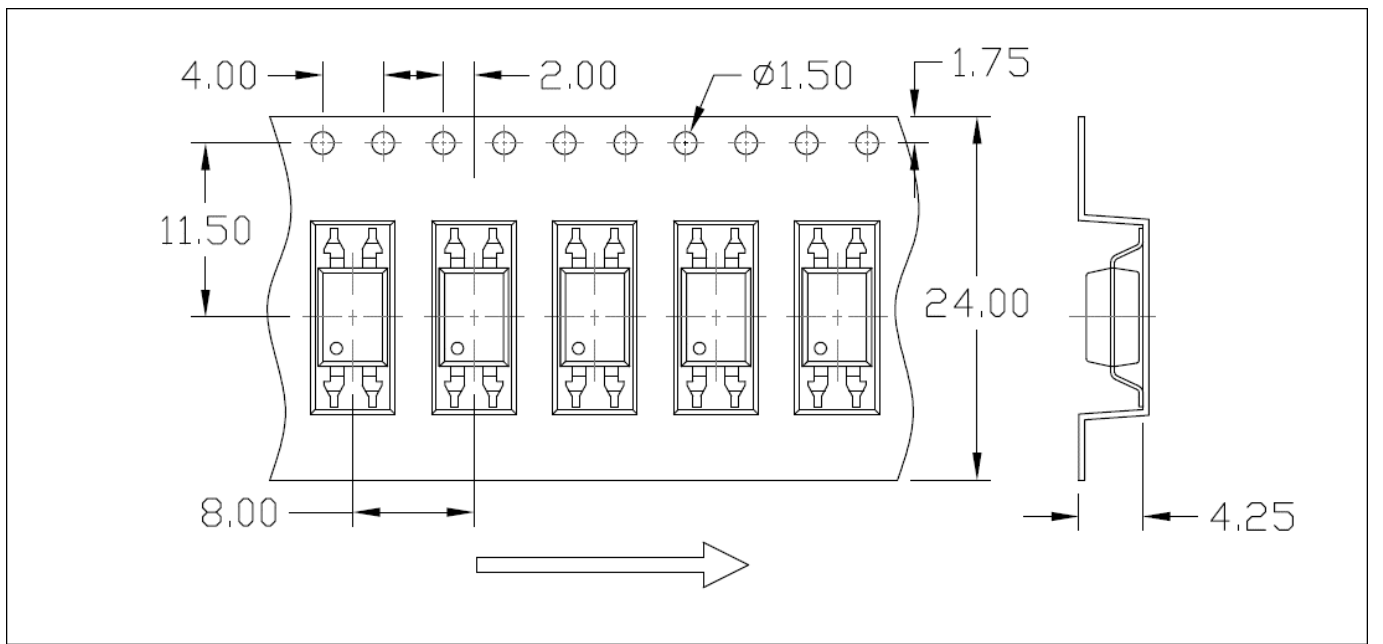
## DIP4, DC Input, Photo Darlington Transistor Coupler

### CARRIER TAPE SPECIFICATIONS (Dimensions in mm unless otherwise stated)

#### Option SLM(T1)



#### Option SLM(T2)



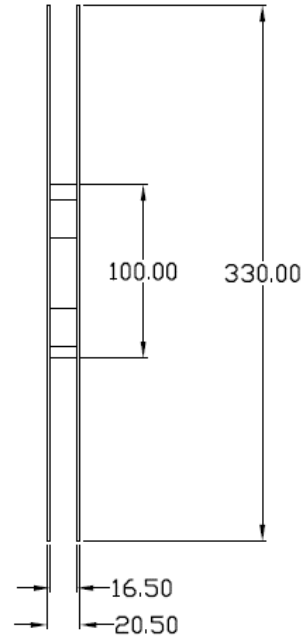
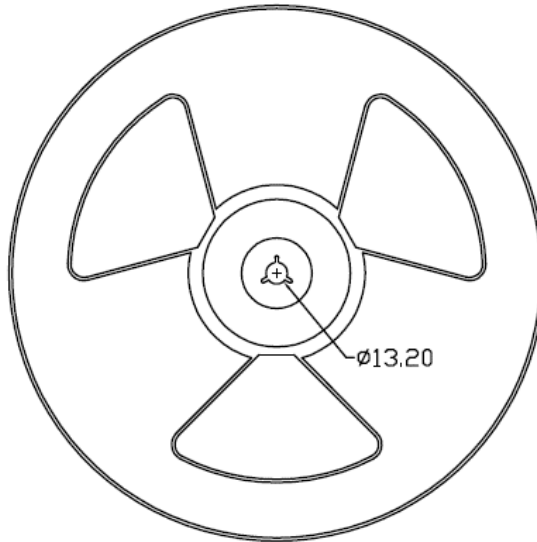


# MPC852 Series

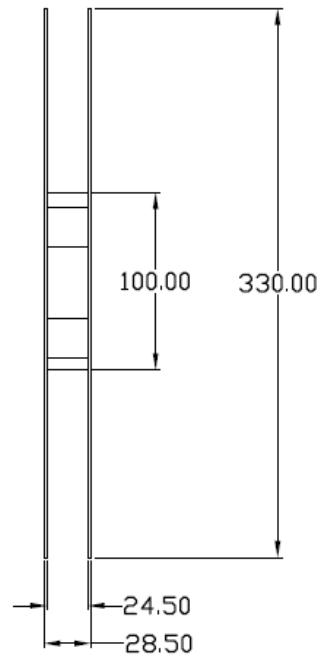
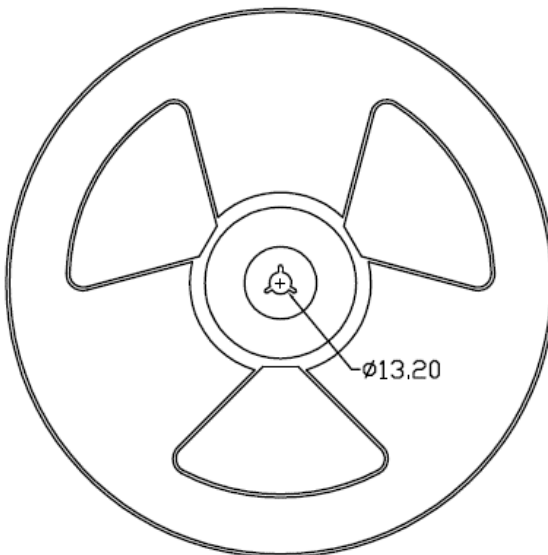
## DIP4, DC Input, Photo Darlington Transistor Coupler

### REEL SPECIFICATIONS (Dimensions in mm unless otherwise stated)

#### Option S & Option SL

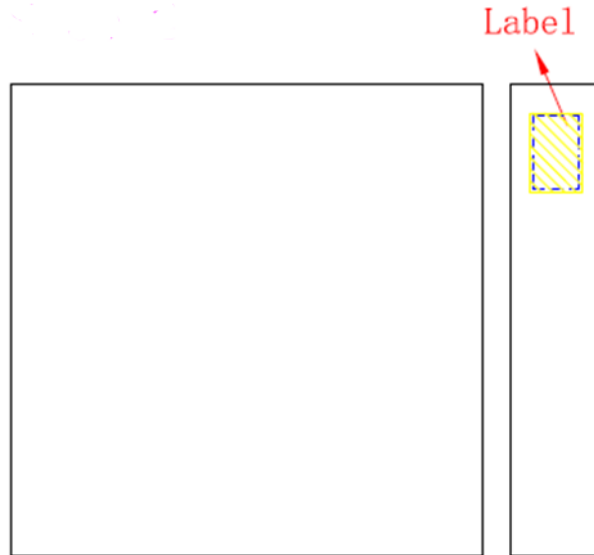


#### Option SLM



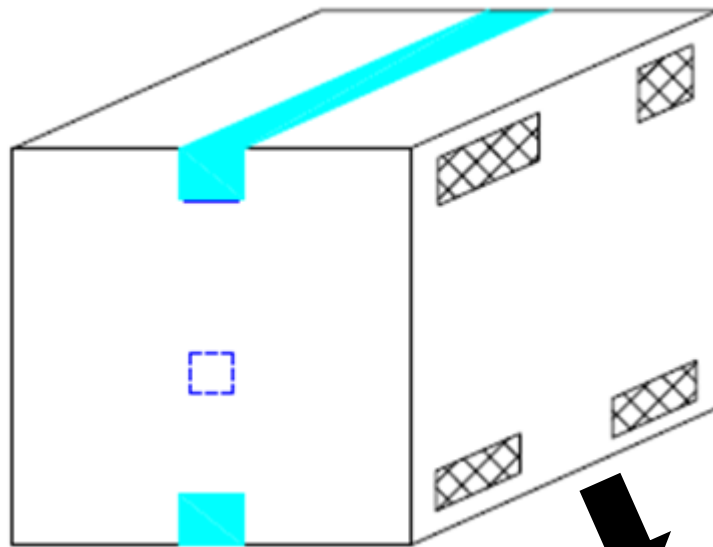
### BOX SPECIFICATIONS (Reel Type)

#### Inner Box

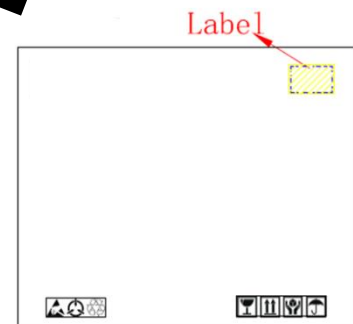


- L x W x H = 36cm x 36cm x 6.9cm

#### Outer Box



- L x W x H = 45cm x 38cm x 38cm





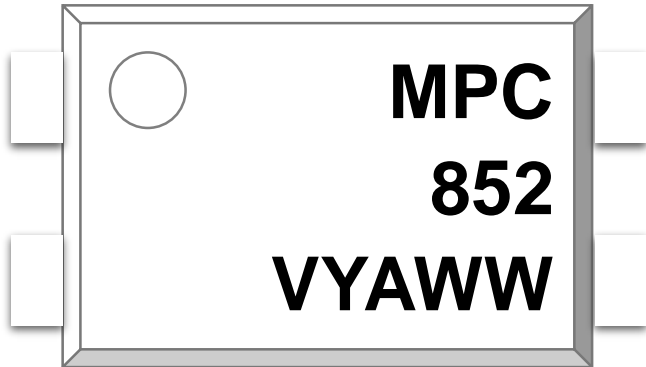


# MPC852 Series

## DIP4, DC Input, Photo Darlington Transistor Coupler

### ORDERING AND MARKING INFORMATION

#### MARKING INFORMATION



**MPC** : Company Abbr.  
**852** : Part Number  
**V** : VDE Option  
**Y** : Fiscal Year  
**A** : Manufacturing Code  
**WW** : Work Week

#### ORDERING INFORMATION

##### ORDERING INFORMATION

**MPC852(Y)(Z)-GV**

MPC – Company Abbr.  
 852 – Part Number  
 Y – Lead Form Option (M/S/SL/SLM/None)  
 Z – Tape and Reel Option (T1/T2/T3/T4)  
 G – Material Option (G: Green, None: Non-Green)  
 V – VDE Option (V or None)

##### LABEL INFORMATION

**MEMCHIP** 詒光照明光電股份有限公司  
 WISELITE Optronics Co., Ltd  
 Part No : XXXXXXXXXXXXXXXX Bin Code : X  
 Lot No : XXXXXXXXXXXX  
 Date Code : XXXX  
 Q'ty : XXXX pcs

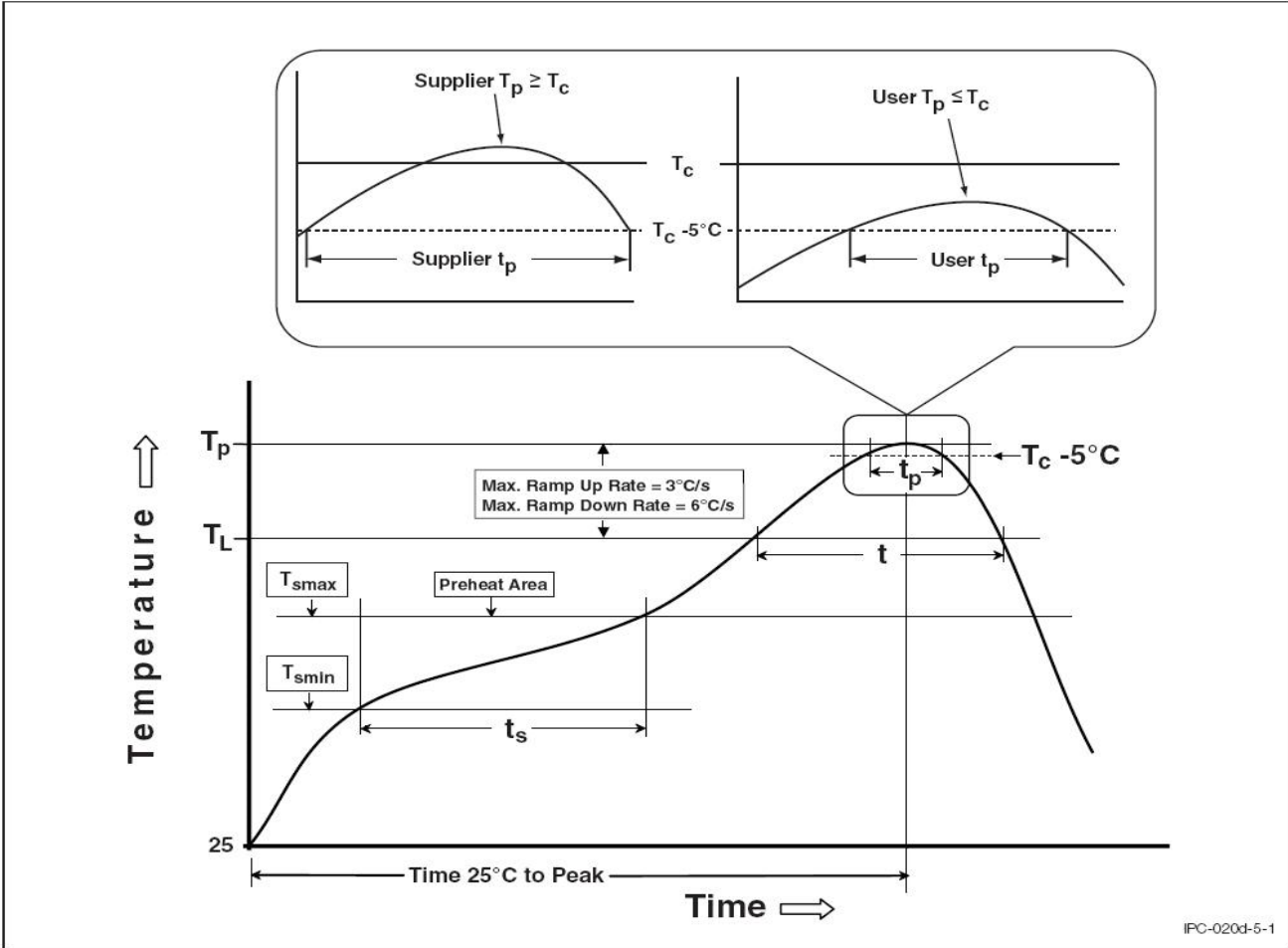
#### Packing Quantity

Option	Quantity	Quantity – Inner box	Quantity – Outer box
None	100 Units/Tube	32 Tubes/Inner box	10 Inner box/Outer box = 32k Units
M	100 Units/Tube	28 Tubes/Inner box	10 Inner box/Outer box = 28k Units
S(T1)	1500 Units/Reel	3 Reels/Inner box	5 Inner box/Outer box = 22.5k Units
S(T2)	1500 Units/Reel	3 Reels/Inner box	5 Inner box/Outer box = 22.5k Units
S(T3)	1000 Units/Reel	3 Reels/Inner box	5 Inner box/Outer box = 15k Units
S(T4)	1000 Units/Reel	3 Reels/Inner box	5 Inner box/Outer box = 15k Units
SL(T1)	1500 Units/Reel	3 Reels/Inner box	5 Inner box/Outer box = 22.5k Units
SL(T2)	1500 Units/Reel	3 Reels/Inner box	5 Inner box/Outer box = 22.5k Units
SL(T3)	1000 Units/Reel	3 Reels/Inner box	5 Inner box/Outer box = 15k Units
SL(T4)	1000 Units/Reel	3 Reels/Inner box	5 Inner box/Outer box = 15k Units
SLM(T1)	1000 Units/Reel	3 Reels/Inner box	5 Inner box/Outer box = 15k Units
SLM(T2)	1000 Units/Reel	3 Reels/Inner box	5 Inner box/Outer box = 15k Units



**REFLOW INFORMATION**

**REFLOW PROFILE**



Profile Feature	Sn-Pb Assembly Profile	Pb-Free Assembly Profile
Temperature Min. (Tsmmin)	100	150°C
Temperature Max. (Tsmmax)	150	200°C
Time (ts) from (Tsmmin to Tsmmax)	60-120 seconds	60-120 seconds
Ramp-up Rate (tL to tP)	3°C/second max.	3°C/second max.
Liquidous Temperature (TL)	183°C	217°C
Time (tL) Maintained Above (TL)	60 – 150 seconds	60 – 150 seconds
Peak Body Package Temperature	235°C +0°C / -5°C	260°C +0°C / -5°C
Time (tP) within 5°C of 260°C	20 seconds	30 seconds
Ramp-down Rate (TP to TL)	6°C/second max	6°C/second max
Time 25°C to Peak Temperature	6 minutes max.	8 minutes max.



### DISCLAIMER

- WISELITE is continually improving the quality, reliability, function and design. WISELITE reserves the right to make changes without further notices.
- The characteristic curves shown in this datasheet are representing typical performance which are not guaranteed.
- WISELITE makes no warranty, representation or guarantee regarding the suitability of the products for any particular purpose or the continuing production of any product. To the maximum extent permitted by applicable law, WISELITE disclaims (a) any and all liability arising out of the application or use of any product, (b) any and all liability, including without limitation special, consequential or incidental damages, and (c) any and all implied warranties, including warranties of fitness for particular
- The products shown in this publication are designed for the general use in electronic applications such as office automation, equipment, communications devices, audio/visual equipment, electrical application and instrumentation purpose, non-infringement and merchantability.
- This product is not intended to be used for military, aircraft, automotive, medical, life sustaining or lifesaving applications or any other application which can result in human injury or death.
- Please contact WISELITE sales agent for special application request.
- Immerge unit's body in solder paste is not recommended.
- Parameters provided in datasheets may vary in different applications and performance may vary over time. All operating parameters, including typical parameters, must be validated in each customer application by the customer's technical experts. Product specifications do not expand or otherwise modify WISELITE's terms and conditions of purchase, including but not limited to the warranty expressed therein.
- Discoloration might be occurred on the package surface after soldering, reflow or long-time use. It neither impacts the performance nor reliability.

单击下面可查看定价，库存，交付和生命周期等信息

[>>WISELITE\(皓光\)](#)