



# MPC303X, MPC304X, MPC306X Series

DIP6, DC Input, Zero-Cross Photo TRIAC Coupler

## Description

The MPC303X, MPC304X and MPC306X series combine an AlGaAs infrared emitting diode as the emitter which is optically coupled to a monolithic silicon random-phase photo triac in a plastic DIP6 package with different lead forming options.

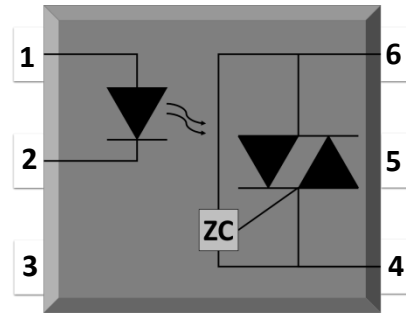
## Features

- High isolation 5000 VRMS
- DC input with zero-cross photo triac output
- Operating temperature range - 40 °C to 100 °C
- REACH & RoHS compliance
- MSL class 1
- Regulatory Approvals
  - UL - UL1577
  - VDE - EN60747-5-5(VDE0884-5)
  - CQC – GB4943.1, GB8898

## Applications

- Solenoid/valve controls
- Lighting controls
- Motor controls
- Temperature controls
- Static AC power switches
- Solid state relays
- Interfacing microprocessors to 115 to 240VAC peripherals

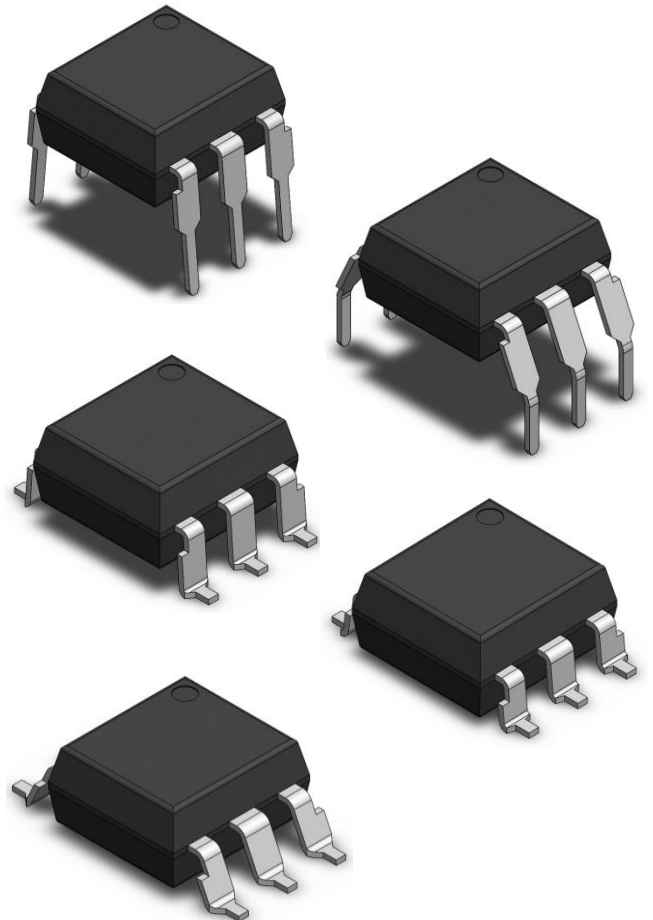
## SCHEMATIC



## PIN DEFINITION

- |            |              |
|------------|--------------|
| 1. Anode   | 4. Terminal  |
| 2. Cathode | 5. Substrate |
| 3. NC      | 6. Terminal  |

## PACKAGE OUTLINE





# MPC303X, MPC304X, MPC306X Series

DIP6, DC Input, Zero-Cross Photo TRIAC Coupler

## ABSOLUTE MAXIMUM RATINGS

PARAMETER	SYMBOL	VALUE	UNIT	NOTE
INPUT				
Forward Current	$I_F$	60	mA	
Reverse Voltage	$V_R$	6	V	
Junction Temperature	$T_j$	125	°C	
Input Power Dissipation	$P_i$	100	mW	
OUTPUT				
Off-state Output Terminal Voltage	MPC303X	250	V	
	MPC304X	400		
	MPC306X	600		
Peak Repetitive Surge Current PW=100 $\mu$ s, 120pps	$I_{TSM}$	1	A	
Junction Temperature	$T_j$	125	°C	
Output Power Dissipation	$P_o$	300	mW	
COMMON				
Total Power Dissipation	$P_{tot}$	400	mW	
Isolation Voltage	$V_{iso}$	5000	V <sub>rms</sub>	1
Operating Temperature	$T_{opr}$	-40~100	°C	
Storage Temperature	$T_{stg}$	-55~125	°C	
Soldering Temperature	$T_{sol}$	260	°C	2

Note 1. AC For 1 Minute, R.H. = 40 ~ 60%

Note 2. For 10 seconds



# MPC303X, MPC304X, MPC306X Series

## DIP6, DC Input, Zero-Cross Photo TRIAC Coupler

### ELECTRICAL OPTICAL CHARACTERISTICS at Ta=25°C

PARAMETER	SYMBOL	MIN.	TYP.	MAX.	UNIT	TEST CONDITION	NOTE
INPUT							
Forward Voltage	$V_F$	-	1.24	1.4	V	$I_F=10\text{mA}$	
Reverse Current	$I_R$	-	-	10	$\mu\text{A}$	$V_R=6\text{V}$	
Input Capacitance	$C_{in}$	-	8.5	250	pF	$V=0, f=1\text{kHz}$	
OUTPUT							
Peak Off-state Current, Either Direction	$I_{DRM}$	-	-	100	nA	$V_{DRM}=\text{Rated } V_{DRM}$ $I_F=0$	3
Peak On-state Current, Either Direction	$V_{TM}$	-	1.59	2.5	V	$I_{TM}=100\text{mA}$	
Critical Rate of Rise of Off-state Voltage	dV/dt	1000	-	-	V/ $\mu\text{s}$	$V_{PEAK}=\text{Rated } V_{DRM}$	4
TRANSFER CHARACTERISTICS							
LED	MPC3031, MPC3041, MPC3061	-	-	15	mA	Terminal Voltage = 3V $I_{TM}=100\text{mA}$	
Trigger	MPC3032, MPC3042, MPC3062	-	-	10			
Current	MPC3033, MPC3043, MPC3063	-	-	5			
Holding Current	$I_H$	-	237	-	$\mu\text{A}$		
Isolation Resistance	Riso	$10^1$ 2	$10^1$ 4	-	$\Omega$	DC500V, 40 ~ 60% R.H.	
Floating Capacitance	$C_{IO}$	-	0.4	-	pF	$V=0, f=1\text{MHz}$	

Note3. Test voltage must be applied within dV/dt rating.

Note4. Refer to Fig.15 & Fig.16

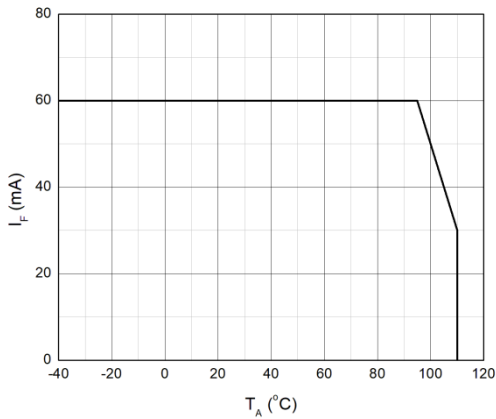


# MPC303X, MPC304X, MPC306X Series

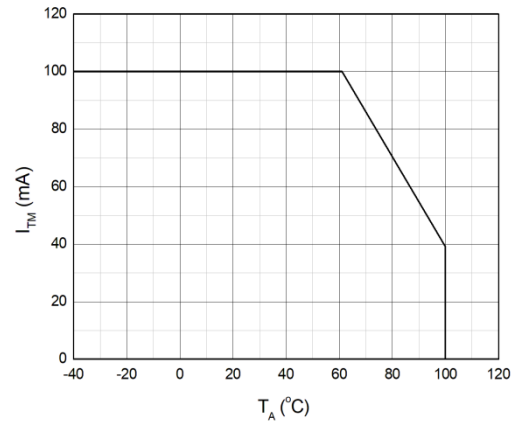
DIP6, DC Input, Zero-Cross Photo TRIAC Coupler

## CHARACTERISTIC CURVES

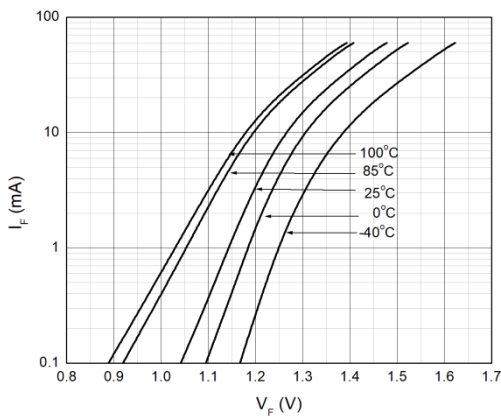
**Fig.1 Forward Current vs. Ambient Temperature**



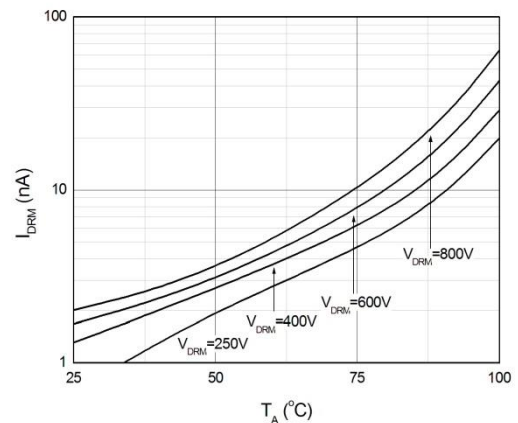
**Fig.2 On-state Terminal Current vs. Ambient Temperature**



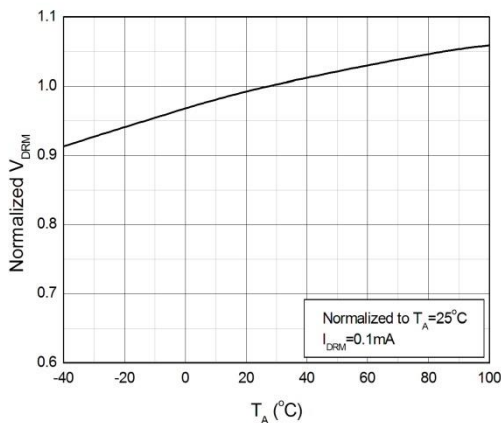
**Fig.3 Forward Current vs. Forward Voltage**



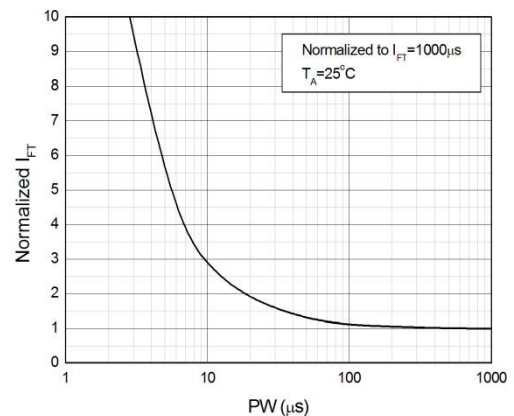
**Fig.4 Off-state Terminal Current vs. Ambient Temperature**



**Fig.5 Normalized Off-state Terminal Voltage vs. Ambient Temperature**



**Fig.6 Normalized Trigger Current vs. LED Trigger Pulse Width**



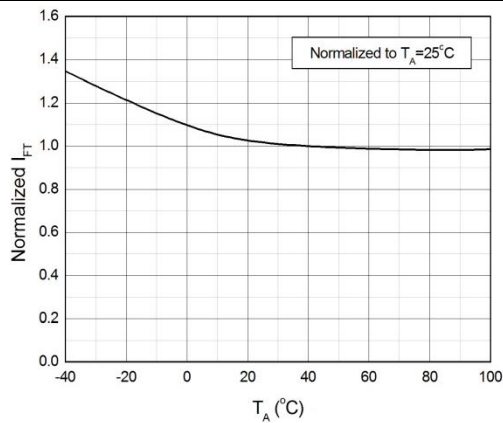


# MPC303X, MPC304X, MPC306X Series

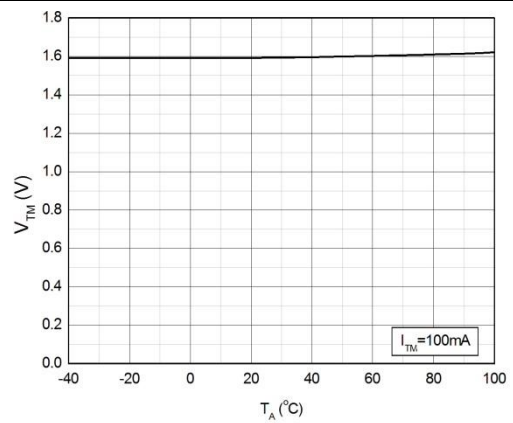
DIP6, DC Input, Zero-Cross Photo TRIAC Coupler

## CHARACTERISTIC CURVES

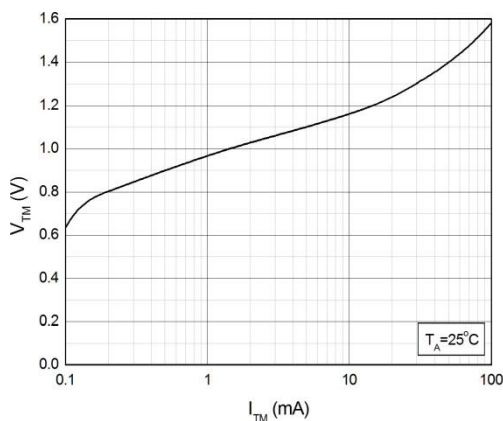
**Fig.7 Normalized Trigger Current vs. Ambient Temperature**



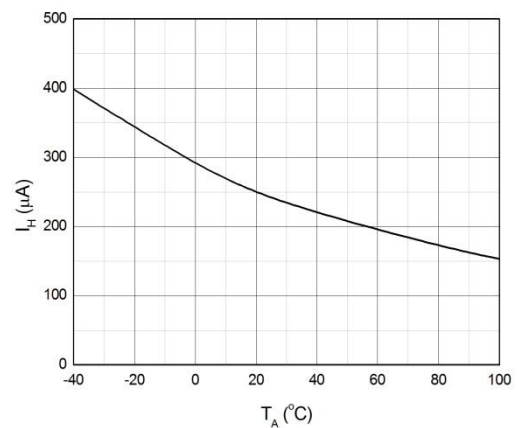
**Fig.8 On-state Terminal Voltage vs. Ambient Temperature**



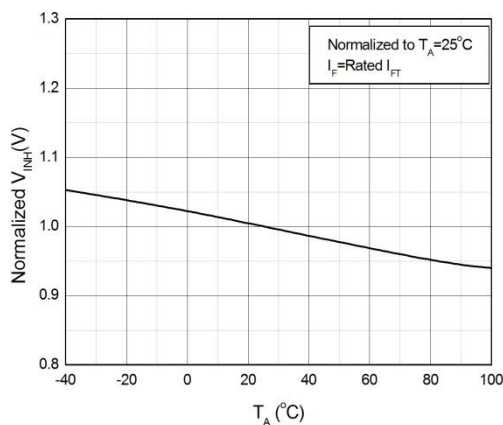
**Fig.9 On-state Terminal Voltage vs. On-state Terminal Current**



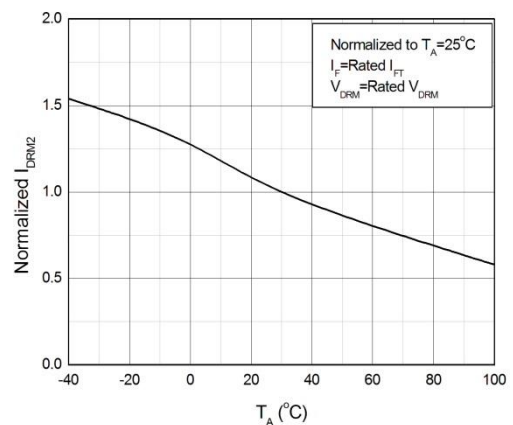
**Fig.10 Holding Current vs. Ambient Temperature**



**Fig.11 Normalized Inhibit Voltage vs. Ambient Temperature**



**Fig.12 Normalized Leakage in Inhibit State vs. Ambient Temperature**



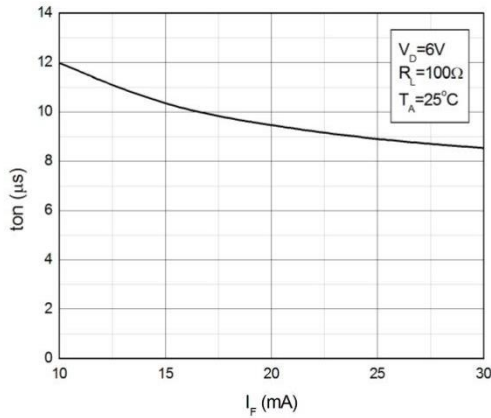


# MPC303X, MPC304X, MPC306X Series

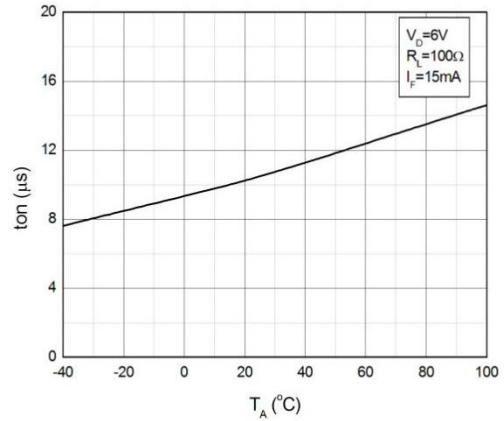
DIP6, DC Input, Zero-Cross Photo TRIAC Coupler

## CHARACTERISTIC CURVES

**Fig.13 Turn On Time vs. Forward Current**

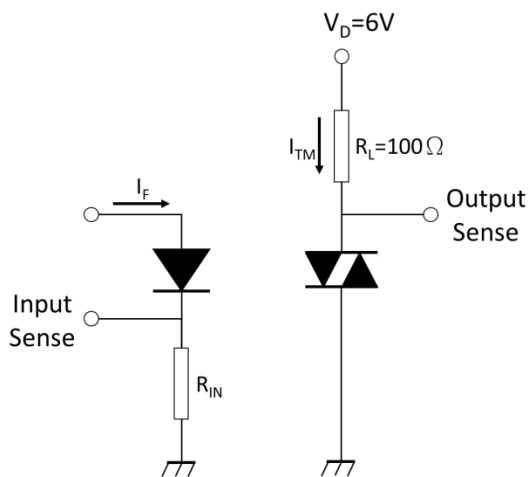


**Fig.14 Turn On Time vs. Ambient Temperature**

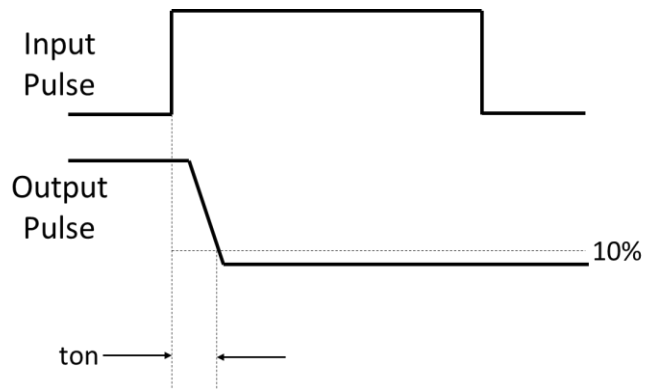


## TEST CIRCUITS

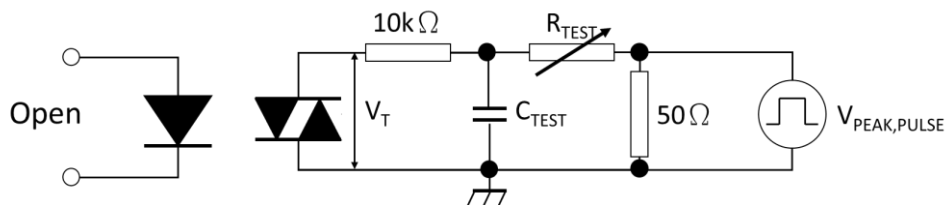
**Fig.15 Test Circuits of Turn On Time**



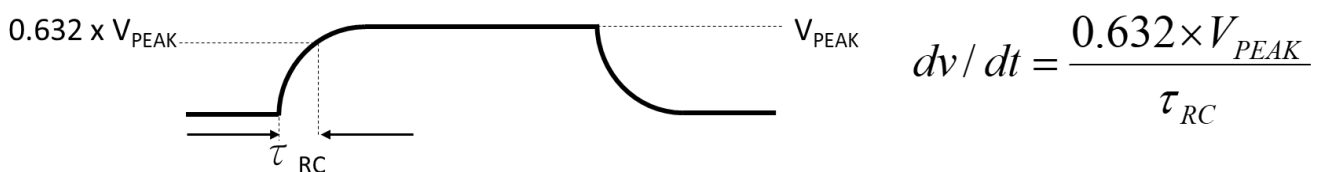
**Fig.16 Waveforms of Turn On Time**



**Fig.17 Test Circuits of dV/dt**



**Fig.18 Waveforms of dV/dt**



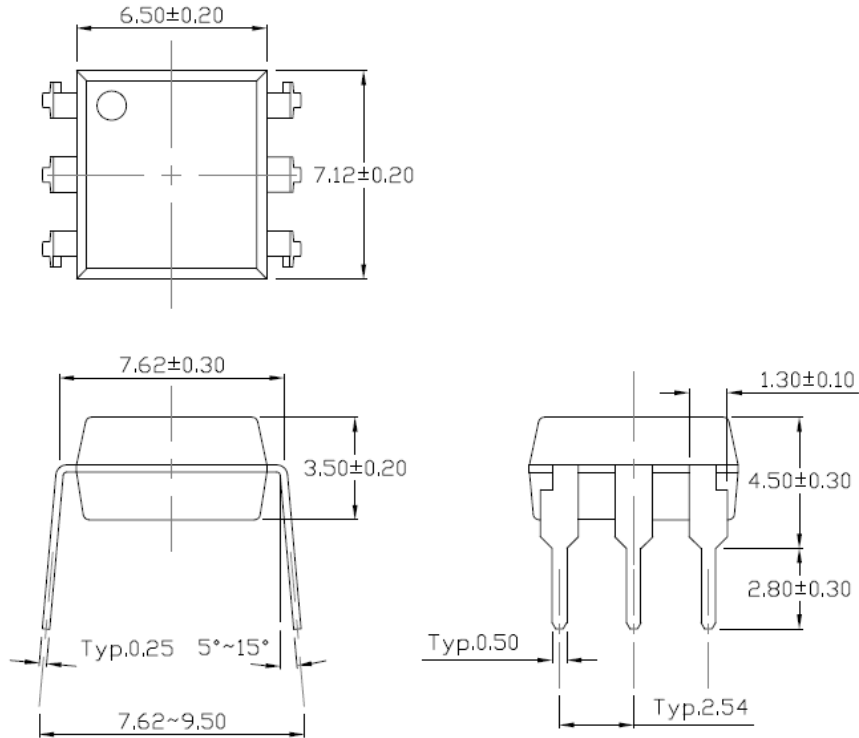


# MPC303X, MPC304X, MPC306X Series

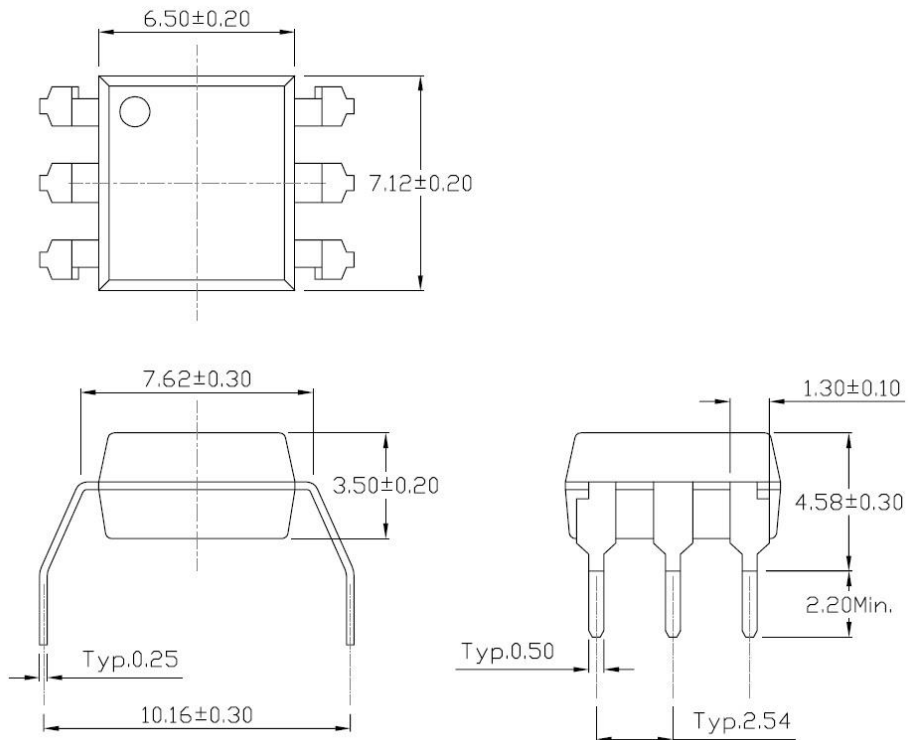
DIP6, DC Input, Zero-Cross Photo TRIAC Coupler

## PACKAGE DIMENSIONS (Dimensions in mm unless otherwise stated)

### Standard DIP – Through Hole (DIP Type)



### Gullwing (400mil) Lead Forming – Through Hole (M Type)



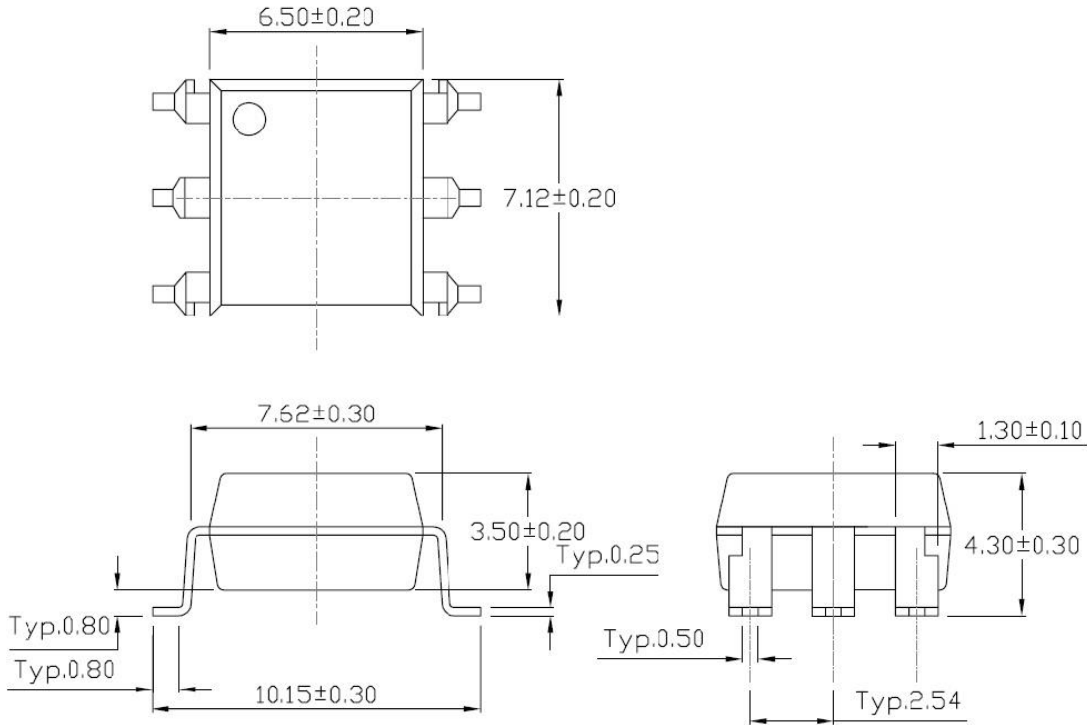


# MPC303X, MPC304X, MPC306X Series

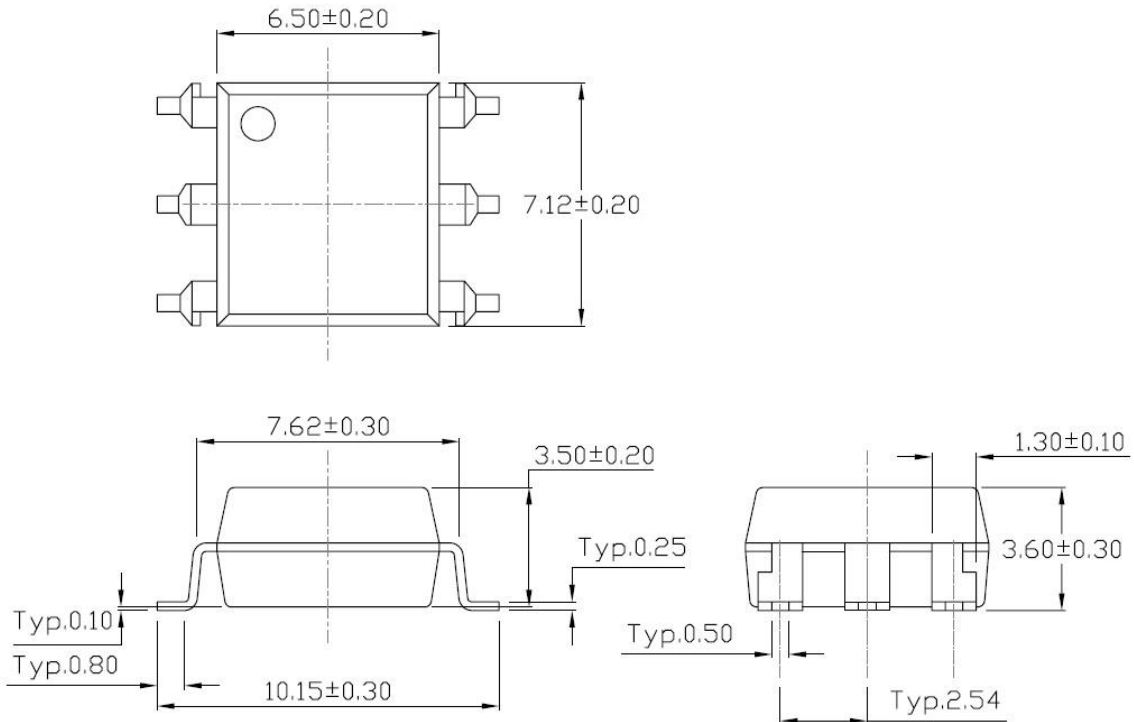
DIP6, DC Input, Zero-Cross Photo TRIAC Coupler

## PACKAGE DIMENSIONS (Dimensions in mm unless otherwise stated)

### Surface Mount Lead Forming (S Type)



### Surface Mount (Low Profile) Lead Forming (SL Type)







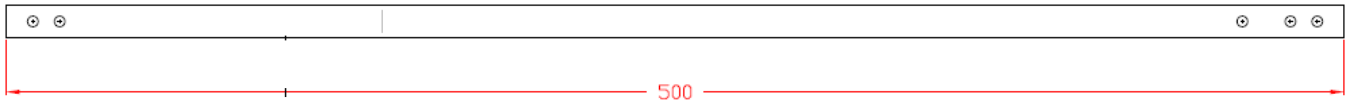
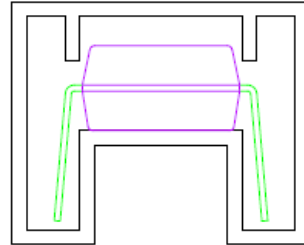
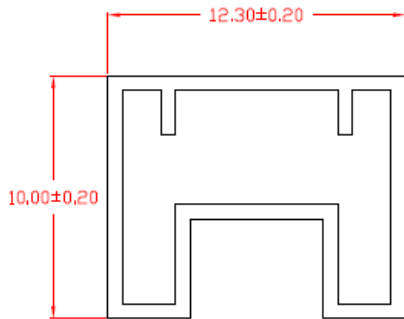


# MPC303X, MPC304X, MPC306X Series

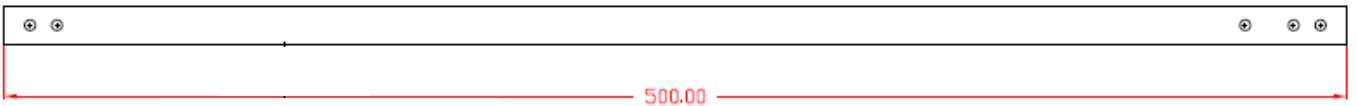
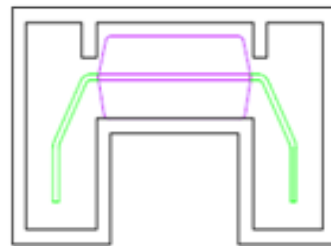
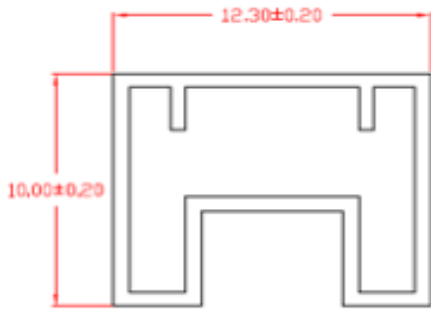
DIP6, DC Input, Zero-Cross Photo TRIAC Coupler

## TUBE SPECIFICATIONS (Dimensions in mm unless otherwise stated)

### Standard DIP



### Option M





# MPC303X, MPC304X, MPC306X Series

DIP6, DC Input, Zero-Cross Photo TRIAC Coupler

## BOX SPECIFICATIONS (Tube Type)

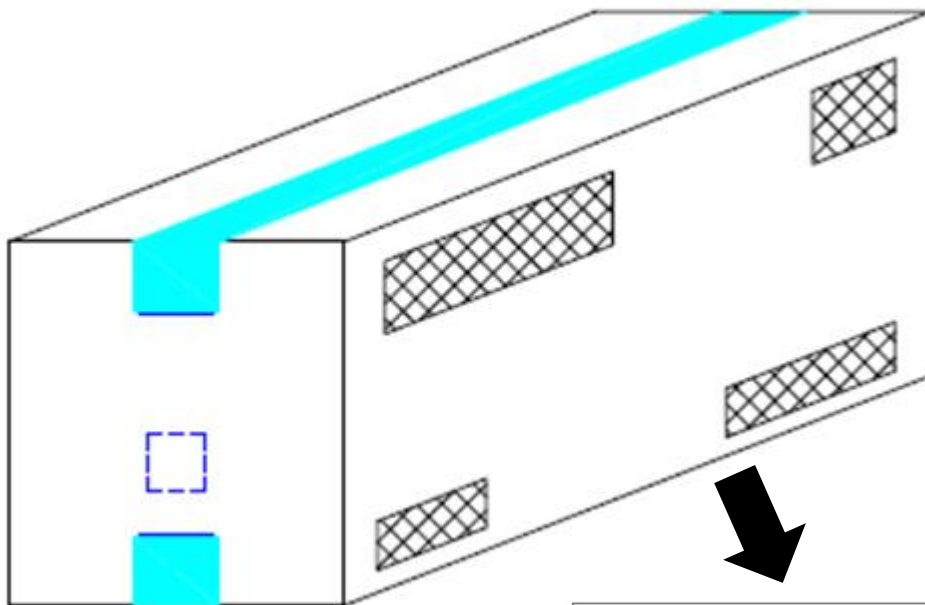
### Inner Box

Label



- L x W x H = 52.5cm x 10.7cm x 4.7cm

### Outer Box



Label

- L x W x H = 53.5cm x 23.5cm x 25.5cm



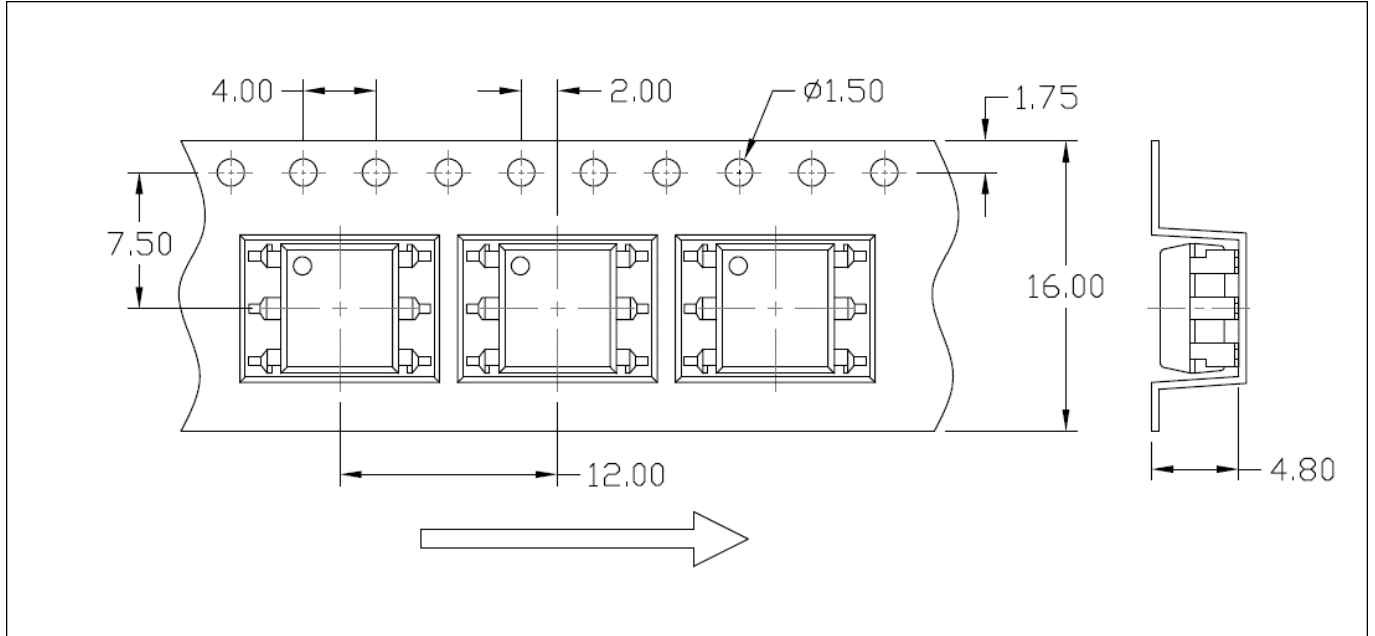


# MPC303X, MPC304X, MPC306X Series

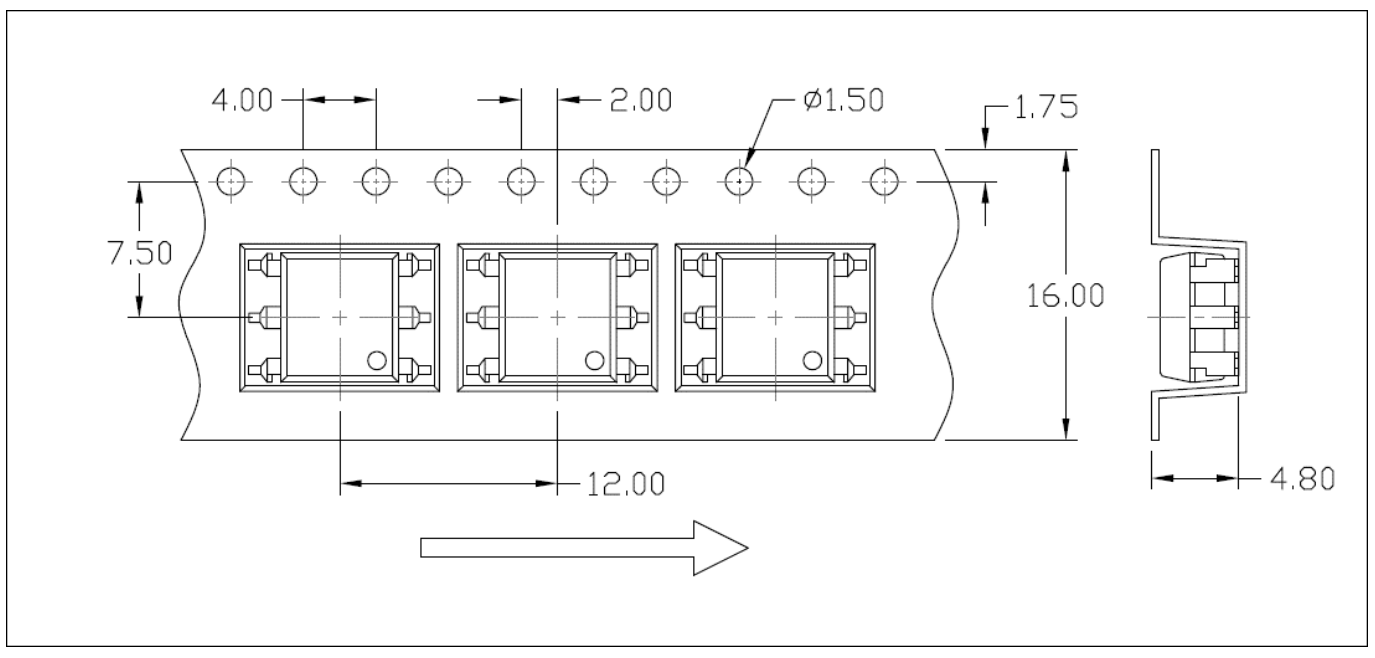
DIP6, DC Input, Zero-Cross Photo TRIAC Coupler

## CARRIER TAPE SPECIFICATIONS (Dimensions in mm unless otherwise stated)

### Option S(T1) & SL(T1)



### Option S(T2) & SL(T2)



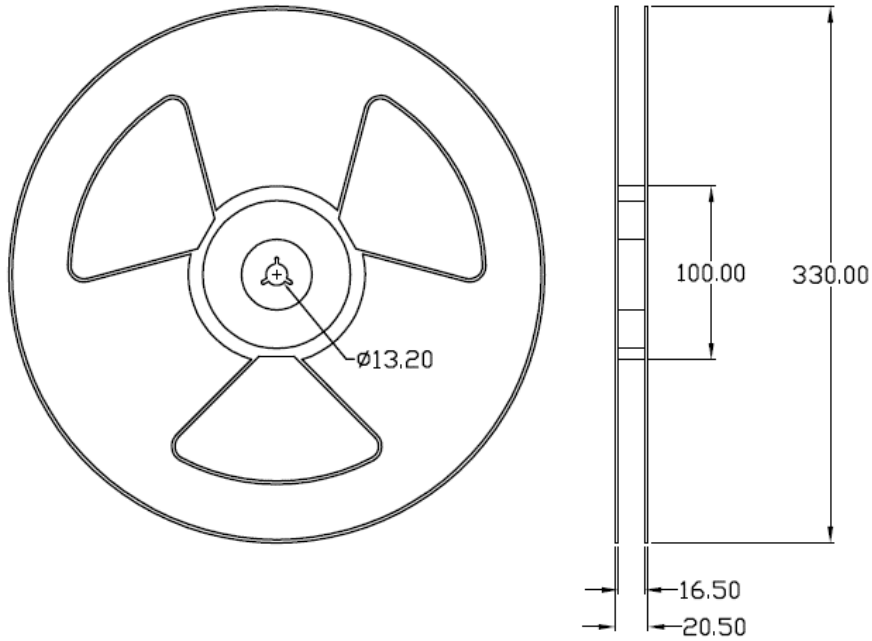


# MPC303X, MPC304X, MPC306X Series

DIP6, DC Input, Zero-Cross Photo TRIAC Coupler

## REEL SPECIFICATIONS (Dimensions in mm unless otherwise stated)

Option S & Option SL



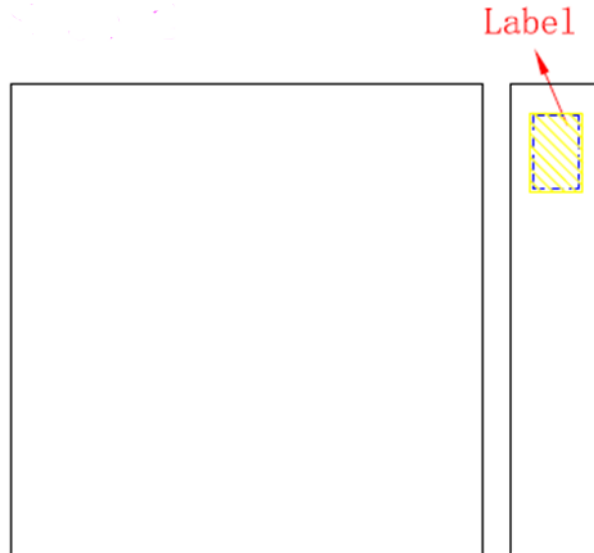


# MPC303X, MPC304X, MPC306X Series

DIP6, DC Input, Zero-Cross Photo TRIAC Coupler

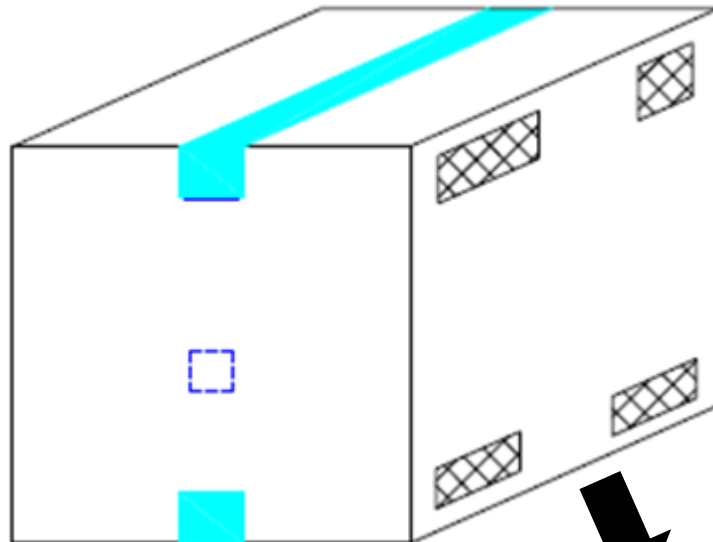
## BOX SPECIFICATIONS (Reel Type)

### Inner Box

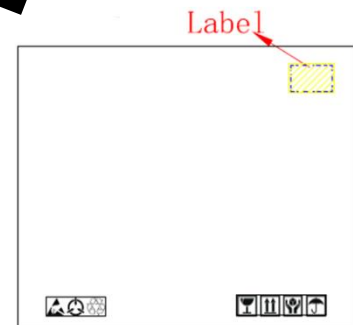


- L x W x H = 36cm x 36cm x 6.9cm

### Outer Box



- L x W x H = 45cm x 38cm x 38cm



Rev: 1.1

Release Date: 2024/4/15

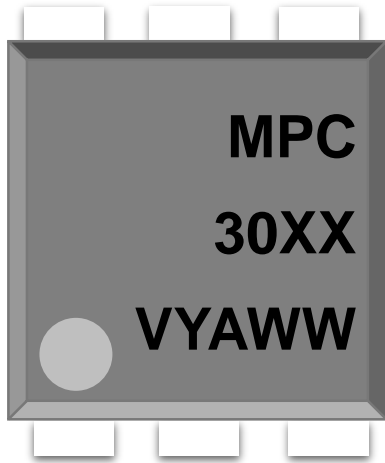


# MPC303X, MPC304X, MPC306X Series

DIP6, DC Input, Zero-Cross Photo TRIAC Coupler

## ORDERING AND MARKING INFORMATION

### MARKING INFORMATION



**MPC** : Company Abbr.  
**30XX** : Part Number & Rank  
**V** : VDE Option  
**Y** : Fiscal Year  
**A** : Manufacturing Code  
**WW** : Work Week

### ORDERING INFORMATION

## MPC30XX(Y)(Z)-GV

MPC – Company Abbr.  
 30XX – Part Number  
 (31/32/33/41/42/43/61/62/63)  
 Y – Lead Form Option (M/S/SL/None)  
 Z – Tape and Reel Option (T1/T2)  
 G – Green Option (G or None)  
 V – VDE Option (V or None)

### LABEL INFORMATION

喆光照明光電股份有限公司  
 WISELITE Optronics Co., Ltd  
 Part No : XXXXXXXXXXXXXXXX Bin Code : X  
 Lot No : XXXXXXXXXXXXXXXX  
 Date Code : XXXX  
 Q'ty : XXXX pcs

### Packing Quantity

Option	Quantity	Quantity – Inner box	Quantity – Outer box
None	50 Units/Tube	32 Tubes/Inner box	10 Inner box/Outer box = 16k Units
M	50 Units/Tube	28 Tubes/Inner box	10 Inner box/Outer box = 14k Units
S(T1)	1000 Units/Reel	3 Reels/Inner box	5 Inner box/Outer box = 15k Units
S(T2)	1000 Units/Reel	3 Reels/Inner box	5 Inner box/Outer box = 15k Units
SL(T1)	1000 Units/Reel	3 Reels/Inner box	5 Inner box/Outer box = 15k Units
SL(T2)	1000 Units/Reel	3 Reels/Inner box	5 Inner box/Outer box = 15k Units

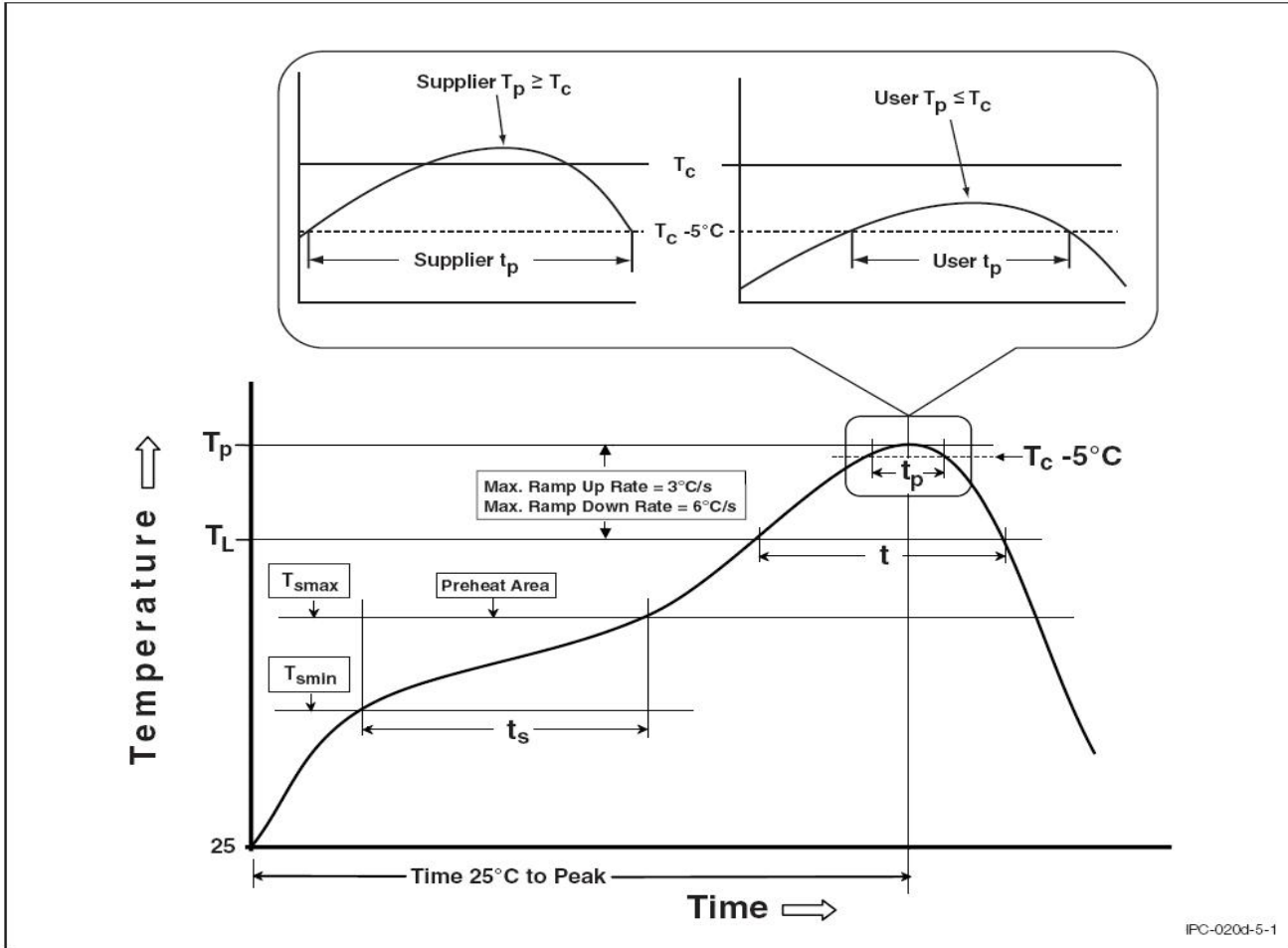


# MPC303X, MPC304X, MPC306X Series

DIP6, DC Input, Zero-Cross Photo TRIAC Coupler

## REFLOW INFORMATION

### REFLOW PROFILE



IPC-020d-5-1

Profile Feature	Sn-Pb Assembly Profile	Pb-Free Assembly Profile
Temperature Min. (Tsmin)	100	150°C
Temperature Max. (Tsmax)	150	200°C
Time (ts) from (Tsmin to Tsmax)	60-120 seconds	60-120 seconds
Ramp-up Rate (tL to tP)	3°C/second max.	3°C/second max.
Liquidous Temperature (TL)	183°C	217°C
Time (tL) Maintained Above (TL)	60 – 150 seconds	60 – 150 seconds
Peak Body Package Temperature	235°C +0°C / -5°C	260°C +0°C / -5°C
Time (tP) within 5°C of 260°C	20 seconds	30 seconds
Ramp-down Rate (TP to TL)	6°C/second max	6°C/second max
Time 25°C to Peak Temperature	6 minutes max.	8 minutes max.





## ***MPC303X, MPC304X, MPC306X Series***

***DIP6, DC Input, Zero-Cross Photo TRIAC Coupler***

### **DISCLAIMER**

- WISELITE is continually improving the quality, reliability, function and design. WISELITE reserves the right to make changes without further notices.
- The characteristic curves shown in this datasheet are representing typical performance which are not guaranteed.
- WISELITE makes no warranty, representation or guarantee regarding the suitability of the products for any particular purpose or the continuing production of any product. To the maximum extent permitted by applicable law, WISELITE disclaims (a) any and all liability arising out of the application or use of any product, (b) any and all liability, including without limitation special, consequential or incidental damages, and (c) any and all implied warranties, including warranties of fitness for particular
- The products shown in this publication are designed for the general use in electronic applications such as office automation, equipment, communications devices, audio/visual equipment, electrical application and instrumentation purpose, non-infringement and merchantability.
- This product is not intended to be used for military, aircraft, automotive, medical, life sustaining or lifesaving applications or any other application which can result in human injury or death.
- Please contact WISELITE sales agent for special application request.
- Immerge unit's body in solder paste is not recommended.
- Parameters provided in datasheets may vary in different applications and performance may vary over time. All operating parameters, including typical parameters, must be validated in each customer application by the customer's technical experts. Product specifications do not expand or otherwise modify WISELITE's terms and conditions of purchase, including but not limited to the warranty expressed therein.
- Discoloration might be occurred on the package surface after soldering, reflow or long-time use. It neither impacts the performance nor reliability.

单击下面可查看定价，库存，交付和生命周期等信息

[>>WISELITE\(蓝光\)](#)