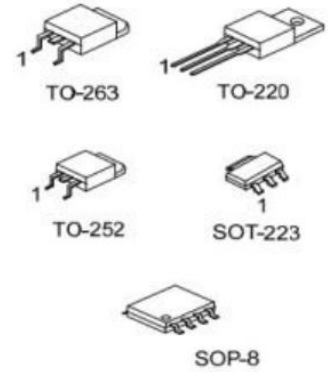


General Description

The XBLW LM317M is an adjustable 3-terminal positive voltage regulator, designed to supply 500mA of output current with voltage adjustable from 1.25V ~ 37V.

Features

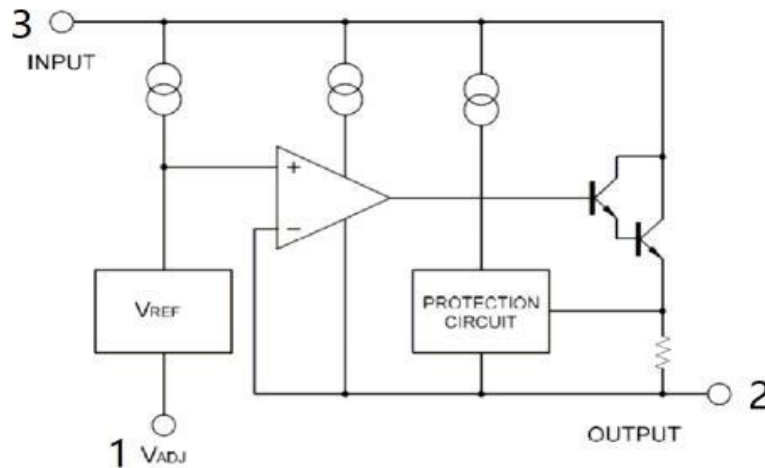
- Output Voltage Adjustable From 1.25V ~ 37V
- Output Current In Excess of 500mA
- Internal Thermal Overload Protection
- Internal Short Circuit Current Limiting
- Output Transistor Safe Area Compensation



Ordering Information

Product Model	Package Type	Marking	Packing	Packing Qty
XBLW LM317M	TO-220	LM317M	Tape	1000PCS/Box
XBLW LM317MCDTR	TO-263	LM317M	Tape	1000PCS/Reel
XBLW LM317MGDTR	TO-252	LM317M	Tape	2500PCS/Reel
XBLW LM317MTDTR	SOT-223	LM317M	Tape	2500PCS/Reel
XBLW LM317MSDTR	SOP-8	LM317M	Tape	2500PCS/Reel

Block Diagram



Absolute Maximum Ratings (Ta=25°C) *

Characteristic	Symbol	Prtings	Unit
Input - Output Voltage Difference	$V_{IN}-V_{OUTt}$	40	V
Power Dissipation	P_D	Internal limited	W
Junction Temperature	T_J	+150	°C
Operating Temperature	T_{OPR}	-40~+125	°C
Storage temperature	T_{STG}	-40~+150	°C

Note: Absolute maximum ratings are those values beyond which the device could be permanently damaged. Absolute maximum ratings are stress ratings only and functional device operation is not implied.

THE RMAL DATA

Parameter	Symbol	Patings	Unit
Junction to Ambient	θ_{JA}	SOT223	165
		SOP8	175
		TO220/TO263	65
		TO252	112
Junction to Case	θ_{JC}	SOT223	24
		SOP8	27
		TO220/TO263	5.5
		TO252	13

Electrical Characteristics(VIN -VOUT= 5V , IOUT = 0.1A , Ta = 25 ° C , unless other wise specified .)

(VIN-VOUT=5V, IOUT=0.1A, TA=25°C, unless otherwise specified.)

PARAMETER	SYMBOL	TEST CONDITIONS	MIN	TYP	MAX	UNIT
Line Regulation	$\Delta V_{OUT}/V_{OUT}$	$3V \leq V_{IN}-V_{OUT} \leq 40V$		0.01	0.04	%/V
Load Regulation	ΔV_{OUT}	$10mA \leq I_{OUT} \leq 0.5A$	$V_{OUT} \leq 5V$	5	25	mV
			$V_{OUT} \geq 5V$	0.1	0.5	%
Adjustable Pin Current	I_{ADJ}			50	100	μA
Adjustable Pin Current Change	ΔI_{ADJ}	$3V \leq V_{IN}-V_{OUT} \leq 40V$, $10mA \leq I_{OUT} \leq 0.5A$, $P_D < 7.5W$		0.2	5	μA
Reference Voltage	V_{REF}	$3V \leq V_{IN}-V_{OUT} \leq 40V$, $10mA \leq I_{OUT} \leq 0.5A$, $P_D < 7.5W$	1.20	1.25	1.30	V
Temperature Stability		$T_{MIN} \leq T_J \leq T_{MAX}$		0.7		%/VOUT
Minimum Load Current for Regulation	$I_{L(MIN)}$	$V_{IN}-V_{OUT}=40V$		3.5	10	mA
Maximum Output Current	$I_{O(MAX)}$	$V_{IN}-V_{OUT}=40V$, $P_D \leq 7.5W$	0.1	0.2		A
RMS Noise vs. %of VOUT	eN	$10Hz \leq f \leq 10KHz$		0.003		%/VOUT
Ripple Rejection	RR	$V_{OUT}=10V, f=120Hz$	$C_{ADJ}=0$	65		dB
			$C_{ADJ}=10\mu F$	66	80	

Note: CADJ is connected between Adjust pin and Ground

Application Circui

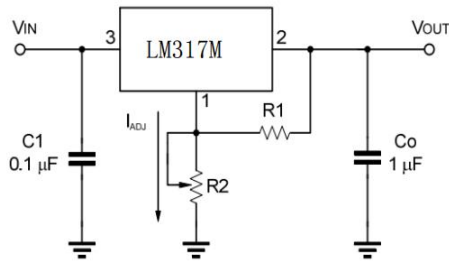


Fig.1 Programmable voltage regulator

$$V_{OUT} = 1.25V * (1 + R2/R1) + I_{ADJ} * R2$$

C1 is required when regulator is located an appreciated distance from power supply. Co is needed to improve transient response.

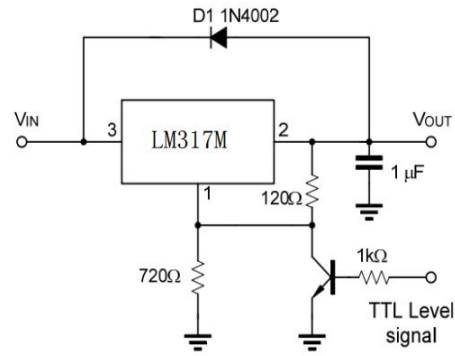


Fig.2 Regulator with On-off control

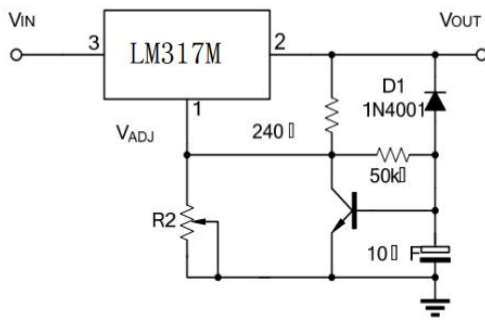
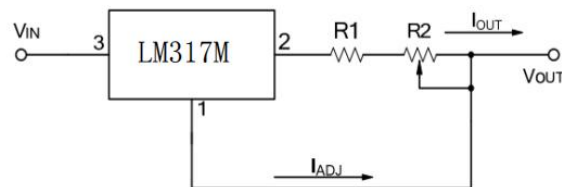


Fig.3 Soft Start Application

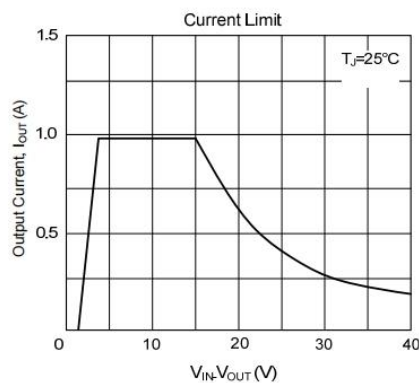
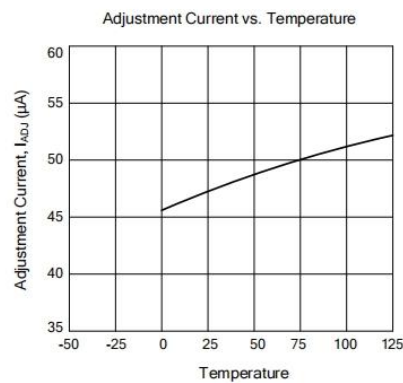
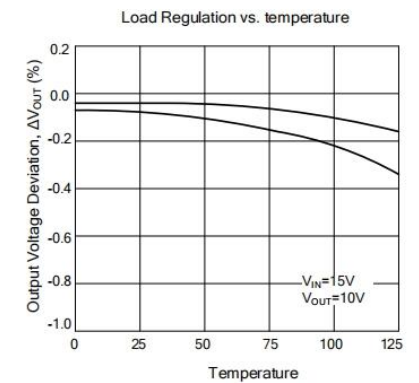


$$I_{O(MAX)} = \left(\frac{V_{REF}}{R1} \right) + I_{ADJ} = \frac{1.25V}{R1}$$

$$I_{O(MIN)} = \left(\frac{V_{REF}}{R1+R2} \right) + I_{ADJ} = \frac{1.25V}{R1+R2}$$

Fig.4 Constant Current Application

Characteristic Curve





Statement:

- ◇ Shenzhen xinbole electronics co., ltd. reserves the right to change the product specifications, without notice! Before placing an order, the customer needs to confirm whether the information obtained is the latest version, and verify the integrity of the relevant information.
- ◇ Any semiconductor product is liable to fail or malfunction under certain conditions, and the buyer shall be responsible for complying with safety standards in the system design and whole machine manufacturing using Shenzhen xinbole electronics co., ltd products, and take appropriate security measures to avoid the potential risk of failure may result in personal injury or property losses of the situation occurred!
- ◇ Product performance is never ending, Shenzhen xinbole electronics co., ltd will be dedicated to provide customers with better performance, better quality of integrated circuit products.

单击下面可查看定价，库存，交付和生命周期等信息

[>>XBLW\(芯伯乐\)](#)