

芯伯乐®  
X I N B O L E

# Product Specification

XBLW LM2576HV

3A Step-Down HV Voltage Regulator

WEB | [www.xinboleic.com](http://www.xinboleic.com)



## Description

The LM2576HV series of regulators are monolithic integrated circuit that provides all the active functions for a step-down (buck) switching regulator, capable of driving 3A load with excellent line and load regulation. The LM2576HV available in fixed output voltages of 3.3V, 5V, 12V and an adjustable output version.

Requiring a minimum number of external components, these regulators are simple to use and include internal frequency compensation and a fixed-frequency oscillator.

The LM2576HV series offers a high-efficiency replacement for popular three-terminal linear regulators. It substantially reduces the size of the heat sink, and in some cases no heat sink is required. A standard series of inductors optimized for use with the LM2576HV are available from several different manufacturers. This feature greatly simplifies the design of switch-mode power supplies.

Other features include a guaranteed  $\pm 4\%$  tolerance on output voltage within specified input voltages and output load conditions, and  $\pm 10\%$  on the oscillator frequency. External shutdown is included, featuring 50 $\mu$ A (typical) standby current. The output switch includes cycle-by-cycle current limiting, as well as thermal shutdown for full protection under fault conditions.

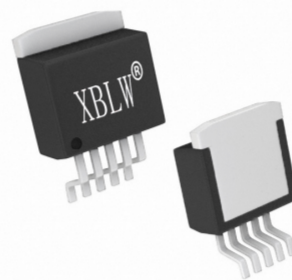
The LM2576HV is available in TO220T-5 and TO263-5 package.

## Features

- 3.3V, 5V, 12V and adjustable output versions
- Wide input voltage range, 40V up to 60V for HV version
- High efficiency
- Specified 3A output current
- 52 kHz fixed frequency internal oscillator
- TTL shutdown capability, low power standby mode
- Uses readily available standard inductors
- Thermal shutdown and current limit protection
- Adjustable version output voltage range, 1.23V to 57V $\pm 4\%$  max over line and load conditions

## Applications

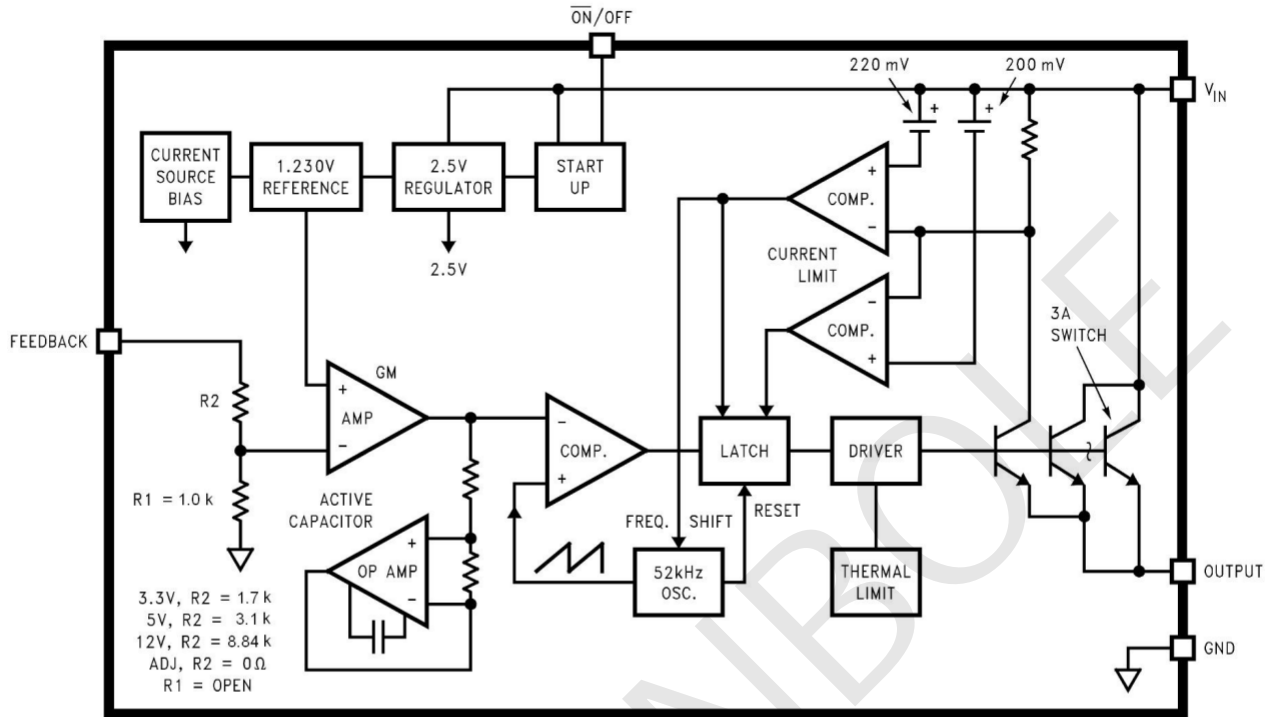
- Simple high-efficiency step-down (Buck) regulator
- Efficient pre-regulator for linear regulators
- On-card switching regulators
- Positive to negative converter (Buck-Boost)



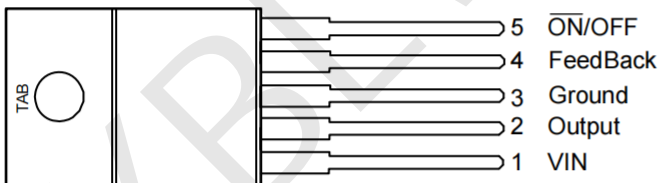
## Ordering Information

Product Model	Package Type	Marking	Packing	Packing Qty
XBLW LM2576HVS-3.3	TO-263-5L	LM2576HVS-3.3	Tape	800Pcs/Reel
XBLW LM2576HVT-3.3	TO-220-5L	LM2576HVT-3.3	Tube	1000Pcs/Box
XBLW LM2576HVS-5.0	TO-263-5L	LM2576HVS-5.0	Tape	800Pcs/Reel
XBLW LM2576HVT-5.0	TO-220-5L	LM2576HVT-5.0	Tube	1000Pcs/Box
XBLW LM2576HVS-12	TO-263-5L	LM2576HVS-12	Tape	800Pcs/Reel
XBLW LM2576HVT-12	TO-220-5L	LM2576HVT-12	Tube	1000Pcs/Box
XBLW LM2576HVS-ADJ	TO-263-5L	LM2576HVS-ADJ	Tape	800Pcs/Reel
XBLW LM2576HVT-ADJ	TO-220-5L	LM2576HVT-ADJ	Tube	1000Pcs/Box

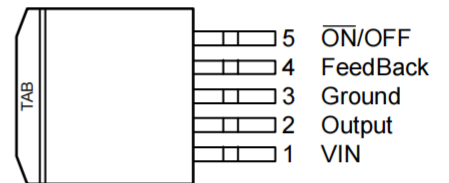
### Functional Block Diagram



### Pin Configuration



TO-220-5L



TO-263-5L

## Pin Description

Pin Number	Pin Name	Function Description
1	V <sub>IN</sub>	This is the positive input supply for the IC switching regulator. A suitable input bypass capacitor must be present at this pin to minimize voltage transients and to supply the switching currents needed by the regulator.
2	OUTPUT	Internal switch, the voltage at this pin switches between (+V <sub>IN</sub> V <sub>SAT</sub> ) and approximately -0.5V. To minimize coupling to sensitive circuitry, the PC board copper area connected to this pin should be kept to a minimum.
3	GND	Circuit Ground
4	FEEDBACK	Senses the regulated output voltage to complete the feedback loop.
5	$\overline{ON/OFF}$	Allows the switching regulator circuit to be shut down using logic level signals

## Absolute Maximum Ratings

Parameter Name	Symbol	Value	Unit
Maximum Supply Voltage	V <sub>IN</sub>	63	V
$\overline{ON/OFF}$ Pin Input Voltage	$\overline{ON/OFF}$	-0.3V ≤ V ≤ +V <sub>IN</sub>	V
Output Voltage to Ground (steady state)	V <sub>OUT</sub>	-1	V
Power Dissipation	P <sub>DMAX</sub>	Internally Limited	
Storage Temperature Range	T <sub>stg</sub>	-65~+150	°C
Maximum Junction Temperature	T <sub>JA</sub>	150	°C
ESD Susceptibility (Human Body Model)	ESD	2	kV
Lead Temperature (Soldering, 10 Seconds)	T <sub>L</sub>	260	°C

## Recommended Operating Conditions

Parameter Name	Symbol	Value	Unit
Supply Voltage	V <sub>IN</sub>	6~60	V
Operating temperature range	T <sub>opr</sub>	-40~+125	°C

## Electrical Characteristics

(Unless otherwise specified:  $T_J = 25^\circ\text{C}$ )

Parameter Name	Symbol	Test Conditions	Min	Typ	Max	Units
<b>Device Parameters</b>						
Feedback Bias Current	$I_b$	Adjustable version only, $V_{OUT}=5V$		50	100	nA
Oscillator Frequency	$f_o$	(Note 1)	47	52	58	kHz
$V_{SAT}$ Saturation Voltage	$V_{SAT}$	$I_{OUT}=3A$		1.4	1.8	V
Max. Duty Cycle(ON)	DC		93	98		%
Current Limit	$I_{CL}$	(Note 1)	4.2	5.8	6.9	A
Output Leakage Current	$I_L$	Output=0V			2	mA
		Output=-1V		7.5	30	mA
Quiescent Current	$I_Q$			5	10	mA
Standby Quiescent Current	$I_{STBY}$	$\overline{ON}/OFF$ pin=5V(OFF)		50	200	$\mu\text{A}$
<b><math>\overline{ON}/OFF</math> Control</b>						
$\overline{ON}/OFF$ Pin Logic Input Level	$V_{IH}$	$V_{OUT}=0V$	2.0			V
	$V_{IL}$	$V_{OUT}=\text{nominal output voltage}$			0.8	V
$\overline{ON}/OFF$ Pin Input Current	$I_{IH}$	$\overline{ON}/OFF$ pin=5V(OFF)		12	30	$\mu\text{A}$
	$I_{IL}$	$\overline{ON}/OFF$ pin=0V(ON)		0	10	$\mu\text{A}$

**Note 1:** The oscillator frequency reduces to approximately 11 kHz in the event of an output short or an overload which causes the regulated output voltage to drop approximately 40% from the nominal output voltage. This self protection feature lowers the average power dissipation of the IC by lowering the minimum duty cycle from 5% down to approximately 2%.

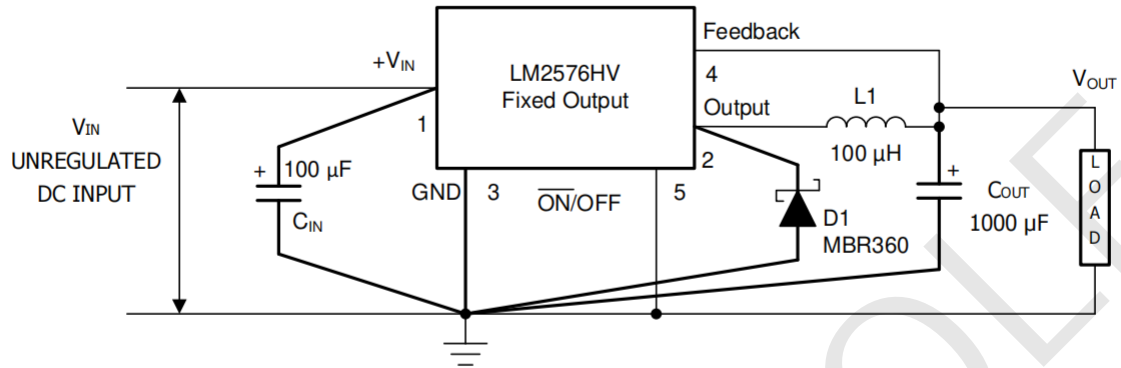
Output pin sourcing current. No diode, inductor or capacitor connected to output.

Parameter Name	Symbol	Test Conditions	Min	Typ	Max	Units
<b>LM2576HV-3.3</b>						
Output Voltage	$V_{OUT}$	$V_{IN} = 12V, I_O = 500mA$	3.234	3.3	3.366	V
		$6V \leq V_{IN} \leq 60V$ $0.5A \leq I_{LOAD} \leq 3A$	3.168	3.3	3.450	V
Efficiency	$\eta$	$V_{IN} = 12V, I_{LOAD} = 3A$		75		%
<b>LM2576HV-5.0</b>						
Output Voltage	$V_{OUT}$	$V_{IN} = 12V, I_O = 500mA$	4.90	5.0	5.10	V
		$8V \leq V_{IN} \leq 60V$ $0.5A \leq I_{LOAD} \leq 3A$	4.80	5.0	5.225	V
Efficiency	$\eta$	$V_{IN} = 12V, I_{LOAD} = 3A$		77		%
<b>LM2576HV-12</b>						
Output Voltage	$V_{OUT}$	$V_{IN} = 25V, I_O = 500mA$	11.76	12.00	12.24	V
		$15V \leq V_{IN} \leq 60V$ $0.5A \leq I_{LOAD} \leq 3A$	11.52	12.00	12.54	V
Efficiency	$\eta$	$V_{IN} = 25V, I_{LOAD} = 3A$		88		%

Parameter Name	Symbol	Test Conditions	Min	Typ	Max	Units
<b>LM2576HV-ADJ</b>						
Output Voltage	$V_{OUT}$	$V_{IN} = 12V, I_O = 500mA,$ $V_{OUT} = 5V$	1.217	1.230	1.243	V
		$8V \leq V_{IN} \leq 60V, V_{OUT} = 5V$ $0.5A \leq I_{LOAD} \leq 3A$	1.193	1.230	1.273	V
Efficiency	$\eta$	$V_{IN} = 12V, I_{LOAD} = 3A,$ $V_{OUT} = 5V$		77		%

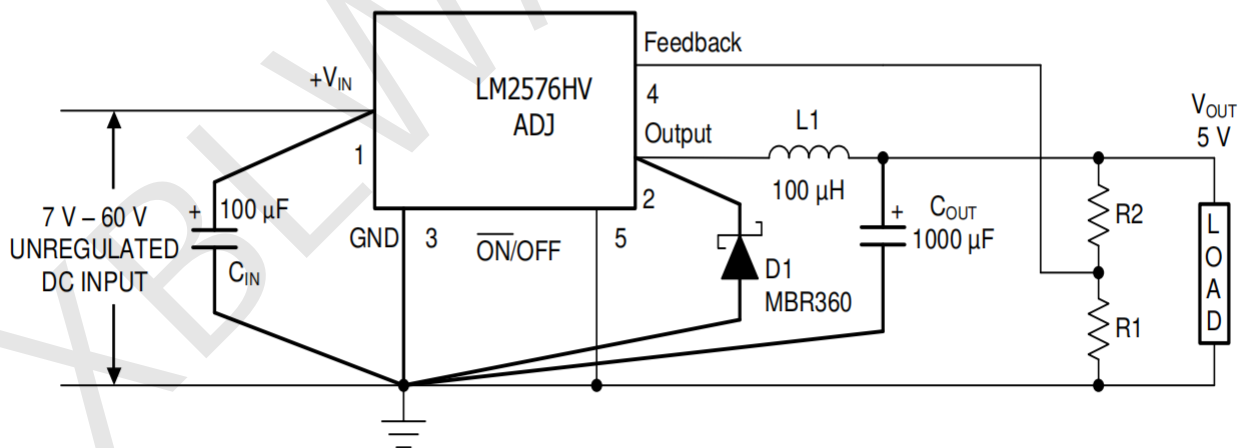
## Test Circuit

### Fixed Output Voltage Versions



- D1 — Schottky, MBR360
- L1 — 100 μH, Pulse Eng. PE-92108
- R1 — 2 k, 0.1%
- R2 — 6.12 k, 0.1%
- C<sub>IN</sub> — 100 μF, 100 V, Aluminum Electrolytic
- C<sub>OUT</sub> — 1000 μF, 25 V, Aluminum Electrolytic

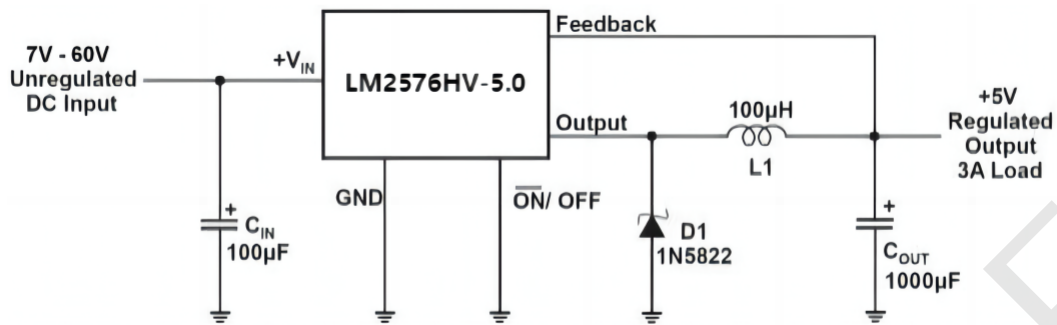
### Adjustable Output Voltage Version



$$R_2 = R_1 \left( \frac{V_{OUT}}{V_{REF}} - 1 \right) \quad V_{OUT} = V_{REF} \left( 1 + \frac{R_2}{R_1} \right)$$

where  $V_{REF} = 1.23 \text{ V}$ ,  $R_1$  between 1 k and 5 k

## Typical Application



## Application Information

### Input Capacitor (CIN)

To maintain stability, the regulator input pin must be bypassed with at least a 100 µF electrolytic capacitor. The capacitor's leads must be kept short, and located near the regulator. If the operating temperature range includes temperatures below -25°C, the input capacitor value may need to be larger. With most electrolytic capacitors, the capacitance value decreases and the ESR increases with lower temperatures and age. Paralleling a ceramic or solid tantalum capacitor will increase the regulator stability at cold temperatures. For maximum capacitor operating lifetime, the capacitor's RMS ripple current rating should be greater than

$$1.2 \times \left( \frac{t_{ON}}{T} \right) \times I_{LOAD}$$

Where  $\frac{t_{ON}}{T} = \frac{V_{OUT}}{V_{IN}}$  for a buck regulator

and  $\frac{t_{ON}}{T} = \frac{|V_{OUT}|}{|V_{OUT}| + V_{IN}}$  for a buck-boost regulator.

### Inductor Selection

All switching regulators have two basic modes of operation: continuous and discontinuous. The difference between the two types relates to the inductor current, whether it is flowing continuously, or if it drops to zero for a period of time in the normal switching cycle. Each mode has distinctively different operating characteristics, which can affect the regulator performance and requirements.

The LM2576HV can be used for both continuous and discontinuous modes of operation. When using inductor values shown in the inductor selection guide, the peak-to-peak inductor ripple current will be approximately 20% to 30% of the maximum DC current. With relatively heavy load currents, the circuit operates in the continuous mode (inductor current always flowing), but under light load conditions, the circuit will be forced to the discontinuous mode (inductor current falls to zero for a period of time). This discontinuous mode of operation is perfectly acceptable. For light loads (less than approximately 300mA) it may be desirable to operate the regulator in the discontinuous mode, primarily because of the lower inductor values required for the discontinuous mode. The selection guide chooses inductor values suitable for continuous mode operation, but if the inductor value chosen is prohibitively high, the designer should investigate the possibility of discontinuous operation.

Inductors are available in different styles such as pot core, toroid, E-frame, bobbin core, etc., as well as different core materials, such as ferrites and powdered iron. The least expensive, the bobbin core type, consists of wire wrapped on a ferrite rod core. This type of construction makes for an inexpensive inductor, but since the magnetic flux is not completely contained within the core, it generates more electromagnetic interference (EMI). This EMI can cause problems in sensitive circuits, or can give incorrect scope readings because of induced voltages in the scope probe. The inductors listed in the



selection chart include ferrite pot core construction for AIE, powdered iron toroid for Pulse Engineering, and ferrite bobbin core for Renco.

An inductor should not be operated beyond its maximum rated current because it may saturate. When an inductor begins to saturate, the inductance decreases rapidly and the inductor begins to look mainly resistive (the DC resistance of the winding) This will cause the switch current to rise very rapidly. Different inductor types have different saturation characteristics, and this should be kept in mind when selecting an inductor.

The inductor manufacturer's data sheets include current and energy limits to avoid inductor saturation.

### Inductor Ripple Current

When the switcher is operating in the continuous mode, the inductor current waveform ranges from a triangular to a sawtooth type of waveform (depending on the input voltage). For a given input voltage and output voltage, the peak-to-peak amplitude of this inductor current waveform remains constant. As the load current rises or falls, the entire sawtooth current waveform also rises or falls. The average DC value of this waveform is equal to the DC load current (in the buck regulator configuration). If the load current drops to a low enough level, the bottom of the sawtooth current waveform will reach zero, and the switcher will change to a discontinuous mode of operation. This is a perfectly acceptable mode of operation. Any buck switching regulator (no matter how large the inductor value is) will be forced to run discontinuous if the load current is light enough.

### Catch Diode

Buck regulators require a diode to provide a return path for the inductor current when the switch is off. This diode should be located close to the LM2576HV using short leads and short printed circuit traces. Because of their fast switching speed and low forward voltage drop, Schottky diodes provide the best efficiency, especially in low output voltage switching regulators (less than 5V). Fast-Recovery, High-Efficiency, or Ultra-Fast Recovery diodes are also suitable, but some types with an abrupt turn-off characteristic may cause instability and EMI problems. A fast-recovery diode with soft recovery characteristics is a better choice. Standard 60 Hz diodes (e.g., 1N4001 or 1N5400, etc.) are also not suitable.

### Output Capacitor

An output capacitor is required to filter the output voltage and is needed for loop stability. The capacitor should be located near the LM2576HV using short pc board traces. Standard aluminum electrolytics are usually adequate, but low ESR types are recommended for low output ripple voltage and good stability. The ESR of a capacitor depends on many factors, some which are: the value, the voltage rating, physical size and the type of construction. In general, low value or low voltage (less than 12V) electrolytic capacitors usually have higher ESR numbers. The amount of output ripple voltage is primarily a function of the ESR (Equivalent Series Resistance) of the output capacitor and the amplitude of the inductor ripple current ( $\Delta I_{IND}$ ). See the section on inductor ripple current in Application Hints. The lower capacitor values (220  $\mu$ F–1000  $\mu$ F) will allow typically 50 mV to 150 mV of output ripple voltage, while larger-value capacitors will reduce the ripple to approximately 20 mV to 50 mV. Output Ripple Voltage = ( $\Delta I_{IND}$ ) (ESR of  $C_{OUT}$ ). To further reduce the output ripple voltage, several standard electrolytic capacitors may be paralleled, or a higher-grade capacitor may be used. Such capacitors are often called "high-frequency" "low-inductance" or "low-ESR" These will reduce the output ripple to 10 mV or 20 mV. However, when operating in the continuous mode, reducing the ESR below 0.03 $\Omega$  can cause instability in the regulator. Tantalum capacitors can have a very low ESR, and should be carefully evaluated if it is the only output capacitor. Because of their good low temperature characteristics, a tantalum can be used in parallel with aluminum electrolytics, with the tantalum making up 10% or 20% of the total capacitance. The capacitor's ripple current rating at 52 kHz should be at least 50% higher than the peak-to-peak inductor ripple current.

### Output Voltage Ripple and Transients

The output voltage of a switching power supply will contain a sawtooth ripple voltage at the switcher frequency, typically about 1% of the output voltage, and may also contain short voltage spikes at the peaks of the sawtooth waveform. The output ripple voltage is due mainly to the inductor sawtooth ripple current multiplied by the ESR of the output capacitor. The voltage spikes are present because of the fast switching action of the output switch, and the parasitic inductance of the output filter capacitor. To minimize these voltage spikes, special low inductance capacitors can be used, and their lead lengths

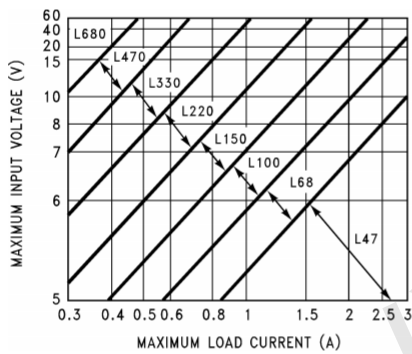
must be kept short. Wiring inductance, stray capacitance, as well as the scope probe used to evaluate these transients, all contribute to the amplitude of these spikes. An additional small LC filter (20  $\mu\text{H}$  & 100  $\mu\text{F}$ ) can be added to the output to further reduce the amount of output ripple and transients. A 10  $\times$  reduction in output ripple voltage and transients is possible with this filter.

### Feedback Connection

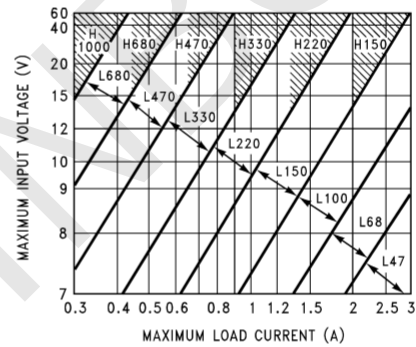
The LM2576HV (fixed voltage versions) feedback pin must be wired to the output voltage point of the switching power supply. When using the adjustable version, physically locate both output voltage programming resistors near the LM2576HV to avoid picking up unwanted noise. Avoid using resistors greater than 100k  $\Omega$  because of the increased chance of noise pickup.

**ON/OFF Input** For normal operation, the **ON/OFF** pin should be grounded or driven with a low-level TTL voltage (typically below 1.6V). To put the regulator into standby mode, drive this pin with a high-level TTL or CMOS signal. The **ON/OFF** pin can be safely pulled up to +VIN without a resistor in series with it. The **ON/OFF** pin should not be left open.

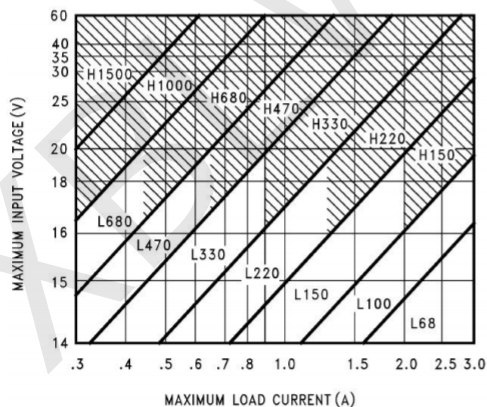
### Inductor Value Selection Guides ( For Continuous Mode Operation)



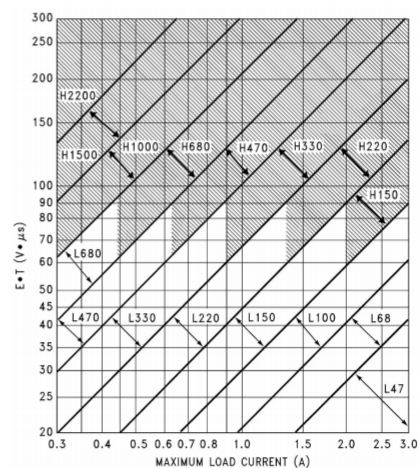
LM2576HV-3.3



LM2576HV-5.0



LM2576HV-12



LM2576HV-ADJ

Inductor Code	Inductor Value	Schott	Pulse Eng	Renco
L47	47μH	671 26980	PE-53112	RL2442
L68	68μH	671 26990	PE-92114	RL2443
L100	100μH	671 27000	PE-92108	RL2444
L150	150μH	671 27010	PE-53113	RL1954
L220	220μH	671 27020	PE-52626	RL1953
L330	330μH	671 27030	PE-52627	RL1952
L470	470μH	671 27040	PE-53114	RL1951
L680	680μH	671 27050	PE-52629	RL1950
L150	150μH	671 27060	PE-53115	RL2445
L220	220μH	671 27070	PE-53116	RL2446
L330	330μH	671 27080	PE-53117	RL2447
L470	470μH	671 27090	PE-53118	RL1961
L680	680μH	671 27100	PE-53119	RL1960
L1000	1000μH	671 27110	PE-53120	RL1959
L1500	1500μH	671 27120	PE-53121	RL1958
L2200	2200μH	671 27130	PE-53122	RL2448

Inductor Selection Guide

V <sub>R</sub>	Schottky		Fast Recovery	
	3A	4A-6A	3A	4A-6A
20V	1N5820 MBR320P SR302	1N5823	The following diodes are all rated to 100V  31DF1 HER302	The following diodes are all rated to 100V  50WF10 MUR410 HER602
30V	1N5821 MBR330 31DQ03 SR303	1N5824		
40V	1N5822 MBR340 31DQ04 SR304	MBR340 50WQ04 1N5825		
50V	MBR350 31DQ05 SR305	50WR05		
60V	MBR360 31DQ06 SR306	50WR06 50SQ060		

Diode Selection Guide

## Grounding

To maintain output voltage stability, the power ground connections must be low-impedance. For the 5-lead TO-220T and TO-263 style package, both the tab and pin 3 are ground and either connection may be used, as they are both part of the same copper lead frame.

## Heat Sink/Thermal Considerations

In many cases, only a small heat sink is required to keep the LM2576HV junction temperature within the allowed operating range. For each application, to determine whether or not a heat sink will be required, the following must be identified:

1. Maximum ambient temperature (in the application).
2. Maximum regulator power dissipation (in application).
3. Maximum allowed junction temperature (125°C for the LM2576HV). For a safe, conservative design, a temperature approximately 15°C cooler than the maximum temperatures should be selected.
4. LM2576HV package thermal resistances  $\theta_{JA}$  and  $\theta_{JC}$ .

Total power dissipated by the LM2576HV can be estimated as follows:  $P_D = (V_{IN})(I_Q) + (V_O/V_{IN})(I_{LOAD})(V_{SAT})$  where

- $I_Q$  (quiescent current) and  $V_{SAT}$  can be found in Typical Performance Characteristics shown previously,
- $V_{IN}$  is the applied minimum input voltage,  $V_O$  is the regulated output voltage,
- and  $I_{LOAD}$  is the load current.

The dynamic losses during turn-on and turn-off are negligible if a Schottky type catch diode is used.

When no heat sink is used, the junction temperature rise can be determined by the following:

$$\Delta T_J = (P_D)(\theta_{JA})$$

To arrive at the actual operating junction temperature, add the junction temperature rise to the maximum ambient temperature.

$$T_J = \Delta T_J + T_A$$

If the actual operating junction temperature is greater than the selected safe operating junction temperature determined in step 3, then a heat sink is required.

When using a heat sink, the junction temperature rise can be determined by the following:

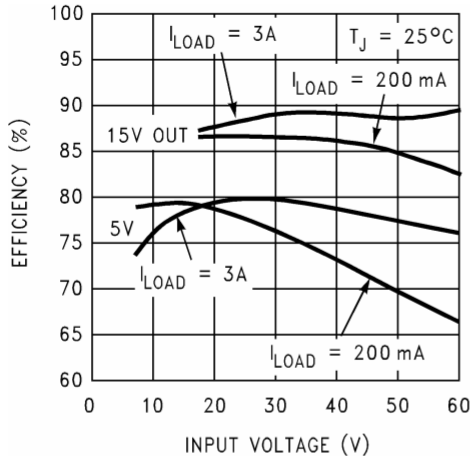
$$\Delta T_J = (P_D)(\theta_{JC} + \theta_{interface} + \theta_{Heat\ sink})$$

The operating junction temperature will be:

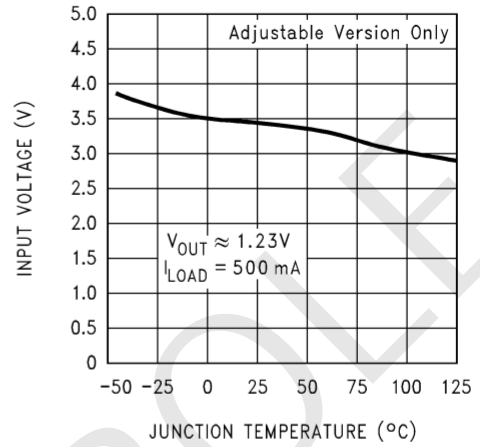
$$T_J = T_A + \Delta T_J$$

If the actual operating junction temperature is greater than the selected safe operating junction temperature, then a larger heat sink is required (one that has a lower thermal resistance). Included on the Switcher Made Simple design software is a more precise (non-linear) thermal model that can be used to determine junction temperature with different input-output parameters or different component values. It can also calculate the heat sink thermal resistance required to maintain the regulators junction temperature below the maximum operating temperature.

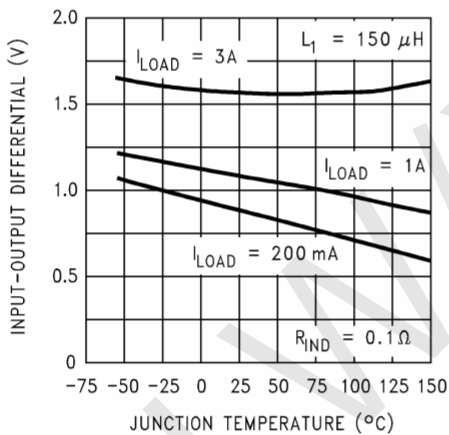
### Typical Characteristic Curves



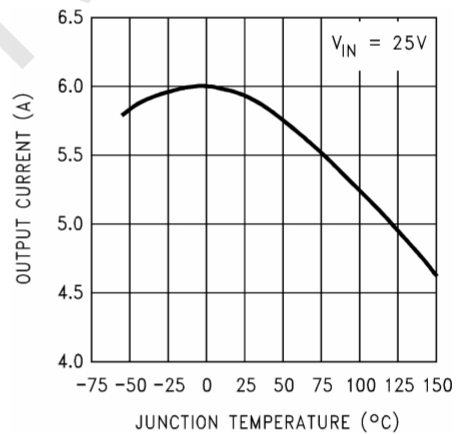
**Efficiency**



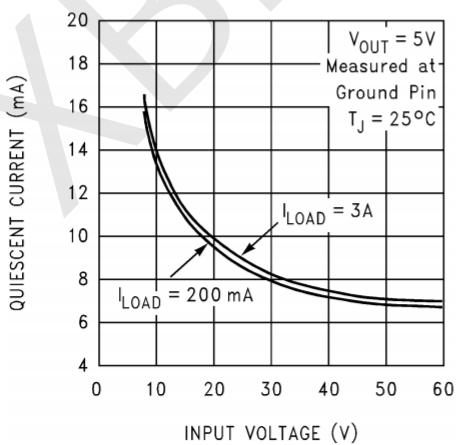
**Minimum Operating Voltage**



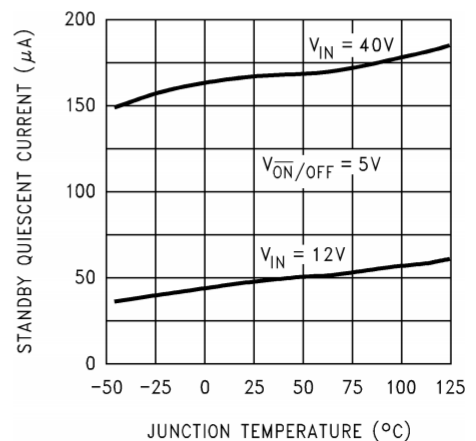
**Dropout Voltage**



**Current Limit**

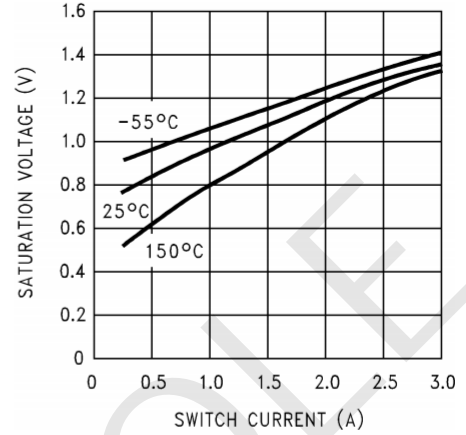
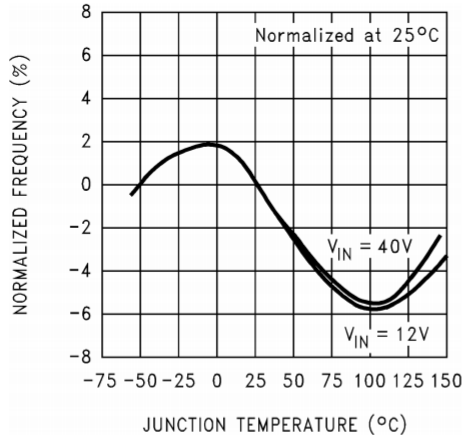


**Quiescent Current**

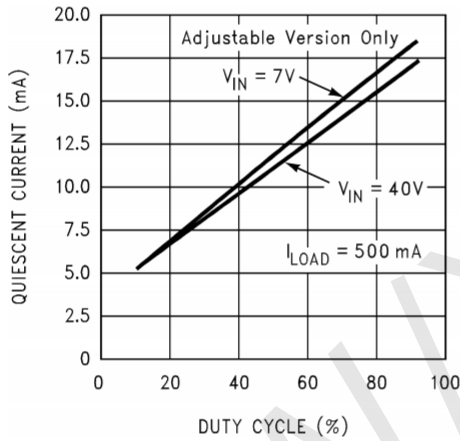


**Standby Quiescent Current**

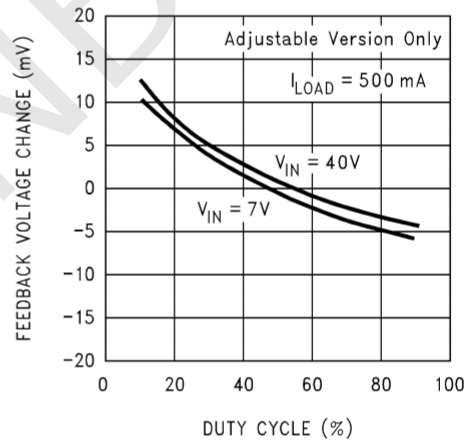
### Typical Characteristic Curves



**Oscillator Frequency**

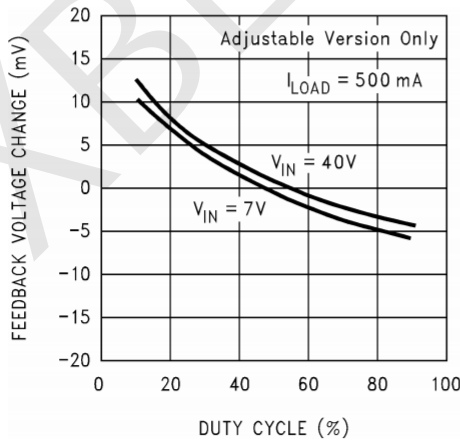


**Switch Saturation Voltage**

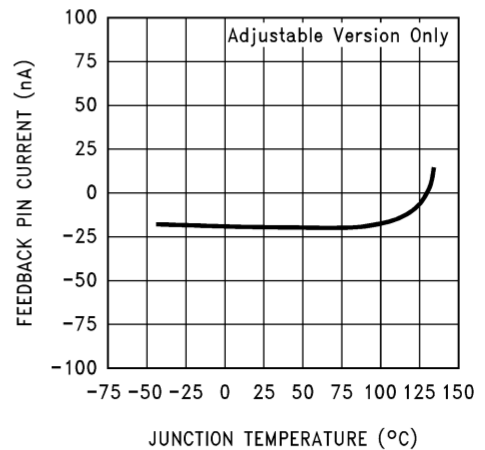


**Quiescent Current vs Duty Cycle**

**Feedback Voltage vs Duty Cycle**

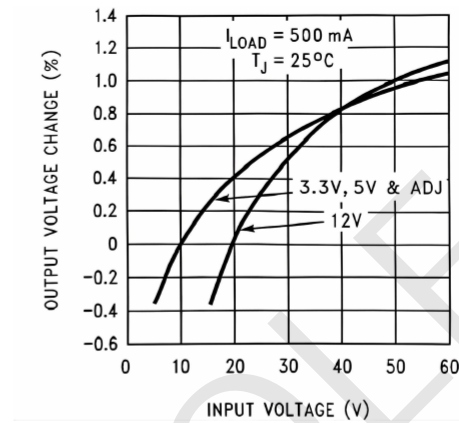
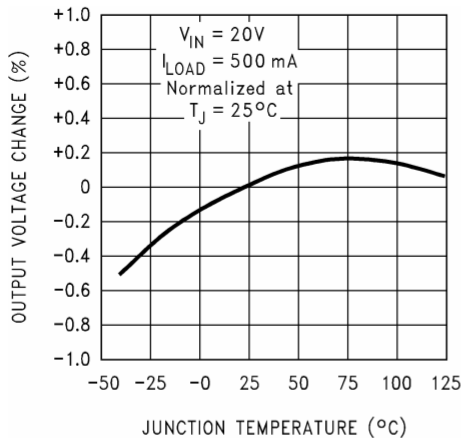


**Feedback Voltage vs Duty Cycle**

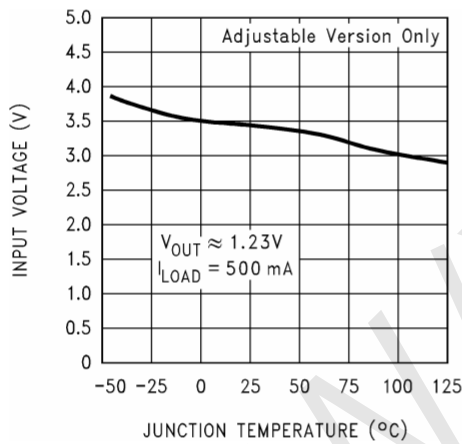


**Feedback Pin Current**

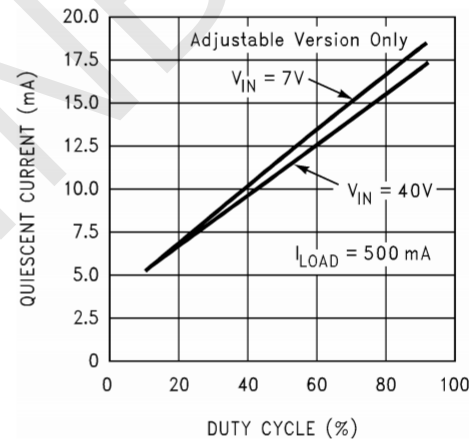
### Typical Characteristic Curves



#### Normalized Output Voltage

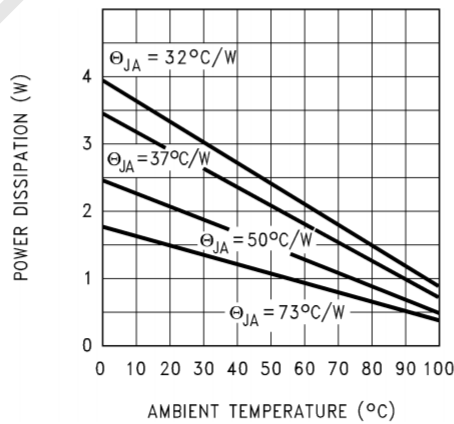


#### Line Regulation



#### Minimum Operating Voltage

#### Quiescent Current vs Duty Cycle

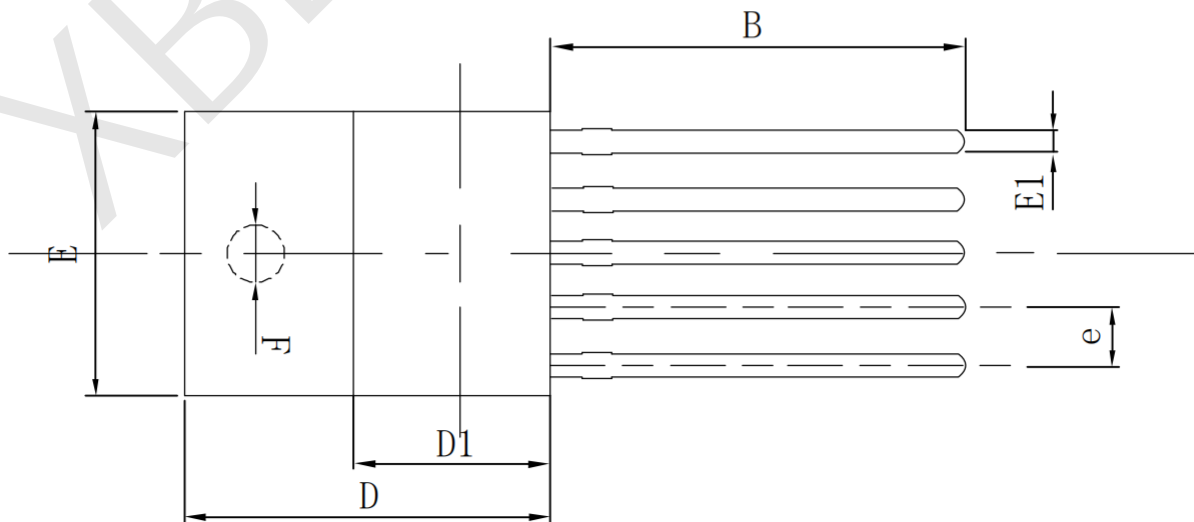
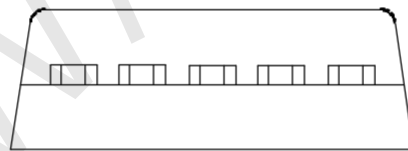
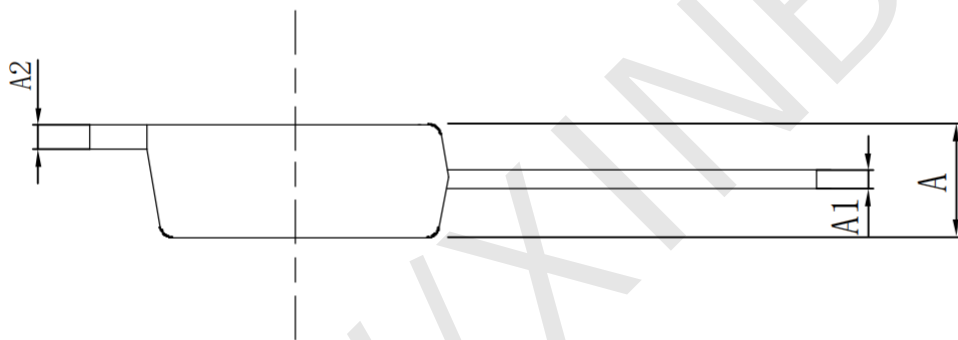


#### Maximum Power Dissipation (DDPAK/ TO-263)

**Package Information**

· T0-220-5L

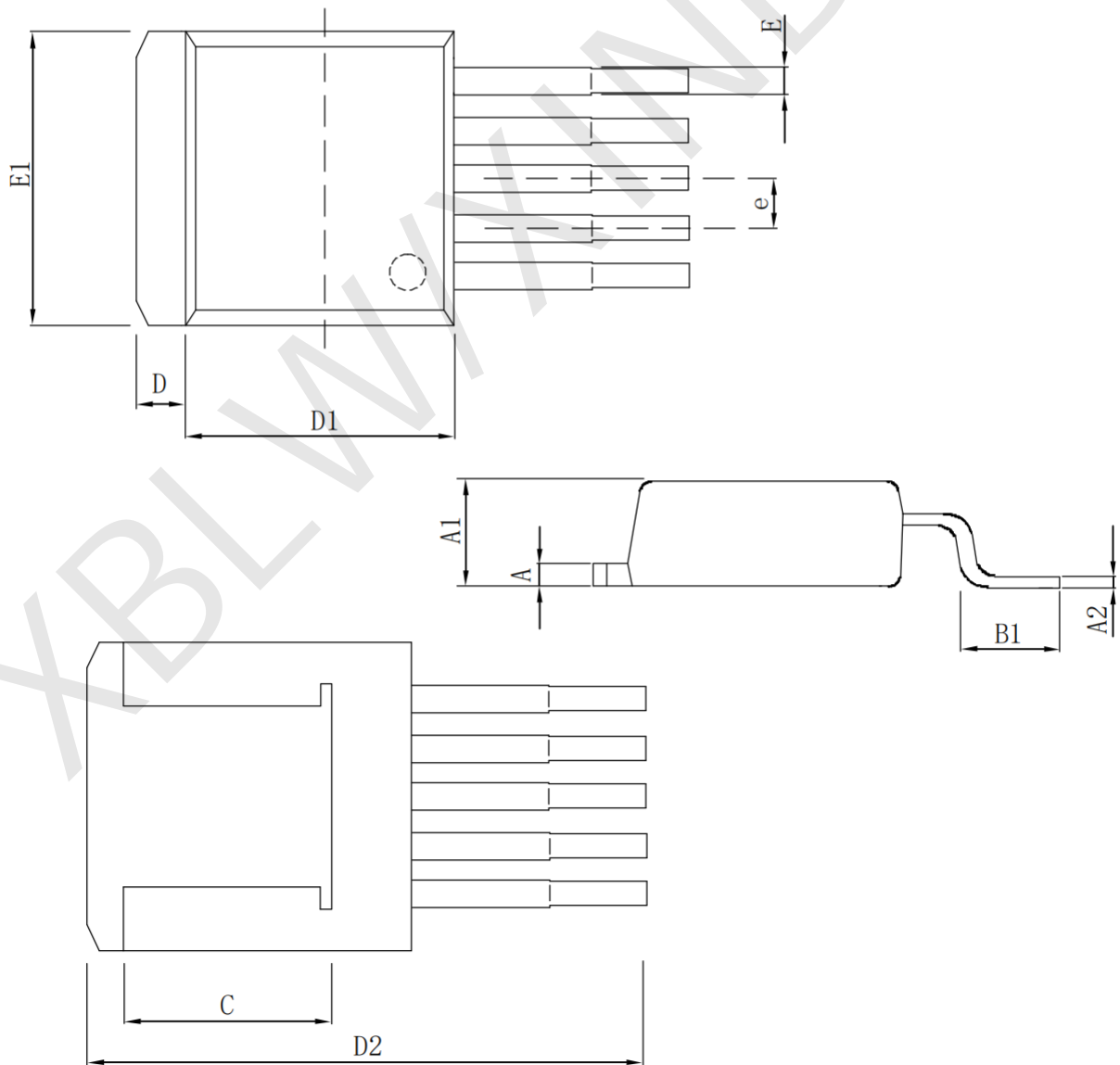
Size Symbol	Dimensions In Millimeters		Size Symbol	Dimensions In Inches	
	Min (mm)	Max (mm)		Min (in)	Max (in)
A	4.300	4.700	A	0.169	0.185
A1	0.450	0.600	A1	0.017	0.023
A2	1.250	1.400	A2	0.049	0.055
B	12.88	13.38	B	0.507	0.527
D	15.50	15.90	D	0.610	0.626
D1	9.000	9.400	D1	0.354	0.370
E	9.700	10.10	E	0.381	0.398
E1	0.660	0.914	E1	0.025	0.036
e	1.702 (BSC)		e	0.670 (BSC)	
F	Φ3.500	Φ3.700	F	Φ0.137	Φ0.146





· T0-263-5L

Symbol	Size	Dimensions In Millimeters		Symbol	Size	Dimensions In Inches	
		Min (mm)	Max (mm)			Min (in)	Max (in)
A		1.170	1.370	A		0.046	0.054
A1		4.470	4.670	A1		0.176	0.184
A2		0.310	0.530	A2		0.012	0.021
B1		2.340	2.740	B1		0.092	0.108
C		5.080 (REF)		C		0.200 (REF)	
D		1.170	1.370	D		0.046	0.054
D1		8.500	8.900	D1		0.335	0.350
D2		14.55	15.55	D2		0.572	0.612
E		0.660	0.860	E		0.025	0.034
E1		10.01	10.31	E1		0.394	0.406
e		1.700 (BSC)		e		0.067 (BSC)	



## Statement

- XBLW reserves the right to modify the product manual without prior notice! Before placing an order, customers need to confirm whether the obtained information is the latest version and verify the completeness of the relevant information.
- Any semi-guide product is subject to failure or malfunction under specified conditions. It is the buyer's responsibility to comply with safety standards when using XBLW products for system design and whole machine manufacturing. And take the appropriate safety measures to avoid the potential in the risk of loss of personal injury or loss of property situation!
- XBLW product has not been licensed for life support, military and aerospace applications, and therefore XBLW is not responsible for any consequences arising from its use in these areas.
- If any or all XBLW products (including technical data, services) described or contained in this document are subject to any applicable local export control laws and regulations, they may not be exported without an export license from the relevant authorities in accordance with such laws.
- The specifications of any and all XBLW products described or contained in this document specify the performance, characteristics, and functionality of said products in their standalone state, but do not guarantee the performance, characteristics, and functionality of said products installed in Customer's products or equipment. In order to verify symptoms and conditions that cannot be evaluated in a standalone device, the Customer should ultimately evaluate and test the device installed in the Customer's product device.
- XBLW documentation is only allowed to be copied without any alteration of the content and with the relevant authorization. XBLW assumes no responsibility or liability for altered documents.
- XBLW is committed to becoming the preferred semiconductor brand for customers, and XBLW will strive to provide customers with better performance and better quality products.