

Product Specification

XBLW MAX1487

12 Mbps communication transceiver

WEB | www.xinboleic.com



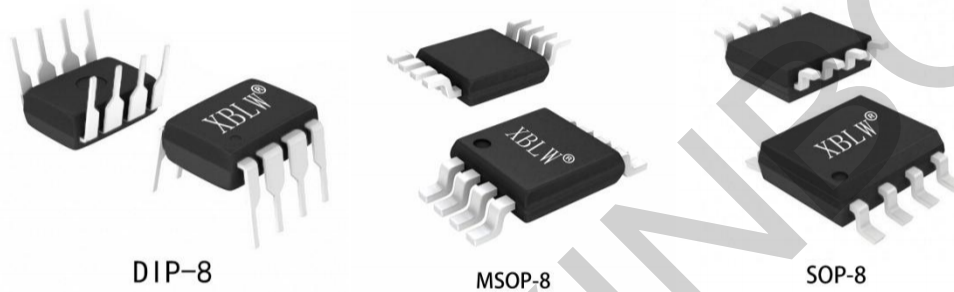
Description

MAX1487 is 3V to 5.5V power supply, $\pm 15\text{kV}$ anti-static slow limit differential transceiver and can provide complete RS485 compatibility for half-duplex applications. Each section contains a driver and a receiver designed for data transmission over an extended common-mode range (-7V to +12V). It can effectively transmit data at a high rate of up to 12Mbps.

Both components have power-on/off modes, and fault-free driver outputs allow transceivers to be inserted or removed from bus in real time. CMOS designs aim to offer significant power savings without sacrificing overload or ESD damage. Typically, static current is only 300uA in operation and 1uA in shutdown mode.

The MAX1487 series also features enhanced ESD protection function. By using IEC61000-4-2 air gap discharge, the all-transmitter output and receiver input are protected to $\pm 15\text{kV}$. If adopting HBM, the protection can be $\pm 15\text{kV}$. If adopting the IEC61000-4-2 contact discharge protection, the protection can be $\pm 8\text{kV}$.

Drive short-circuit current is limited. When the driver output is placed in a high impedance state through a thermal shutdown circuit, the driver can prevent excessive power consumption. The receiver (RX) input has a "Fail safe" design that ensures a logically high Rx output when the RX input is floating, shorted, or terminated but not driven.



Feature

- High communication rate, 3.0V ~ 5.5V power supply 12Mbps
- High ESD protection
- Low power consumption down to 1uA, shutdown mode
- Input voltage range: -7V to +12V (common mode)
- Bus connection up to 128 nodes
- Thermal shutdown protection function
- Drive overload protection function
- Full fault-safe (open circuit, short circuit, etc.)

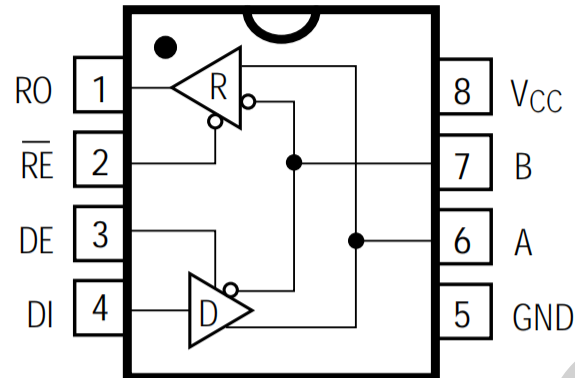
Product Application

- Power communication
- Integrated digital network
- Industrial control local area network
- Power measurement (smart meter)
- Factory automation and control

Ordering Information

Product Model	Package Type	Marking	Packing	Packing Qty
XBLW MAX1487EN	DIP-8	X1487EN	Tube	2000Pcs/Box
XBLW MAX1487EDTR	SOP-8	X1487E	Tape	2500Pcs/Reel
XBLW MAX1487EMDTR	MSOP-8	X1487EM	Tape	3000Pcs/Reel

Description of Pins



Function Diagram

Pins		Type	Description
Name	Serial No.		
RO	1	Output	Reverse Output
\overline{RE}	2	Input	Reverse Output Enable
DE	3	Input	Drive Enable
DI	4	Input	Drive Input
GND	5	Power	Ground
A	6	I/O	Noninverting Receiver Input and Noninverting Driver Output
B	7	I/O	Inverting Receiver Input and Inverting Driver Output
Vcc	8	Power	RS-485 Transceiver Power Supply

Limit Parameters

Exceeding the absolute maximum rating may result in permanent damage to the device, and prolonged operation at the absolute maximum rating may affect the reliability of the device.

Name	Symbol	Notes	Min.	Max.	Unit
Positive Supply	Vcc		-0.3	7	V
Control Input Voltage	\overline{RE} , DE		-0.3	Vcc+0.3	V
Drive Input Voltage	DI		-0.3	Vcc+0.3	V
Drive Output Voltage	A, B		-8	12.5	V
Reverse Input Voltage	A, B		-8	12.5	V
Reverse Output Voltage	RO		-0.3	Vcc+0.3	V
Operating Temperature Ranges	T _a		-40	85	°C
Storage Temperature Range	T _{stg}		-60	150	°C

Electrostatic Protection

Human Body Model (HBM) testing in accordance with EIA/JESD22-A114-B HBM

Test Parameters			Value	Unit
Voltage of Electro-Static Discharge (VESD)	Human Body Model (HBM)	Pin A, B to GND	±15	kV
		Other Pins	±8	kV
	Charged-DeviceModel (CDM)	All Pins	±2	kV

Electrical Parameters

($V_{CC} = +3.3V$ to $+5V$, $T_A = T_{MIN}$ to T_{MAX} , unless otherwise noted, typical at 3.3V and +5V, ambient temperature $+25^{\circ}C$.)

Parameters	Symbol	Conditions	Min.	Typ.	Max.	Unit
Power Supply						
Supply Voltage	V_{CC}		3	5	5.5	V
Input Circuit Current	I_{CC}	Receiving Mode $\overline{RE} = 0$; $DE = 0$; $V_{CC} = 5V$		240	650	μA
		Transmitting $\overline{RE} = 1$; $DE = 1$; $V_{CC} = 5V$		270	750	μA
		Receiving Mode $\overline{RE} = 0$; $DE = 0$; $V_{CC} = 3.3V$		250	650	μA
		Transmitting Mode $\overline{RE} = 1$; $DE = 1$; $V_{CC} = 3.3V$		280	750	μA
Cut-off Current	I_{shdn}	$\overline{RE} = V_{CC}$, $DE = 0$, $V_{CC} = 3.3V$		0.2	10	μA
		$\overline{RE} = V_{CC}$, $DE = 0$, $V_{CC} = 5V$		0.2	10	μA
Logic						
Input a Logic-high Input Voltage	V_{IH}	DE, DI, \overline{RE}	2.0			V
Input a Logic-low Input Voltage	V_{IL}	DE, DI, \overline{RE}			0.8	V
DI Input Voltage Hysteresis	V_{HYS}	$-7V \leq V_{CM} \leq 12V$	10	30		mV
Receiving						
Three-phase Current	I_{OZR}	$0.4V < V_0 < 2.4V$			± 1	μA
Short Circuit Current	I_{OSR}	$0V \leq V_0 \leq V_{CC}$	± 8		± 90	mA
Output High Voltage	V_O	$V_A = 2.8V$, $V_B = 2.5V$, $I_{R0} = 8mA$	$V_{CC} - 1.5$			V
Output Low Voltage	V_{OL}	$V_A = 2.5V$, $V_B = 2.8V$, $I_{R0} = -8mA$			0.4	V
Input Impedance	R_{IN}	$-7V \leq V_{CM} \leq 12V$	96			$k\Omega$
Differential Threshold Voltage	V_{TH}		-200		-50	mV
Input Hysteresis Voltage	ΔV_{TH}	$-7V \leq V_{CM} \leq 12V$		25		mV
Transmitting						
Output Voltage (no load)	V_{OD1}		3		5.5	V
Output Voltage	V_{OD2}	$R_L = 54 \Omega$, $V_{CC} = 5V$	1.5		V_{CC}	V
Voltage Magnitude Variation	ΔV_{OD}	$R_L = 54 \Omega$			0.2	V
Common Mode Voltage	V_{OC}	$R_L = 54 \Omega$			3	V
Common-mode Voltage Variation	ΔV_{OC}	$R_L = 54 \Omega$			0.3	V
Short Circuit Current	I_{OSD}	Short Circuit to Low $-7-0V$	-250			mA

Switching Characteristics parameters

(V_{CC} = +3.3V to +5V, T_A = T_{MIN} to T_{MAX}, unless otherwise noted, typical at 3.3V and +5V, ambient temperature +25°C.)

Parameters	Symbol	Conditions	Min.	Typ.	Max.	Units
Transmitting						
Maximum Data Rate	f _{MAX}			12		Mbps
Differential Output Time Delay	t _{DD}	RL=60Ω, Figure 3		20	40	ns
Differential Output Conversion Time	t _{TD}	RL=60Ω, Figure 3		12	28	ns
Driver Output Time Delay from Low to High	t _{PLH}	RL=27Ω, Figure 4		20	40	ns
Driver Output Time Delay from High to Low	t _{PHL}	RL=27Ω, Figure 4		20	40	ns
t _{plh} - t _{phl} Output Time Delay	t _{PDS}	RL=27Ω, Figure 4		1	8	ns
Output Enable and Shutdown Times						
Driver Output Enable to a Logic-low	t _{PZL}	RL=110Ω, Figure 6			55	ns
Driver Output Enable to a Logic-high	t _{PZH}	RL=110Ω, Figure 5			55	ns
Driver Output from Shutdown to a Logic-high	t _{PHZ}	RL=110Ω, Figure 5			85	ns
Driver Output from Shutdown to a Logic-low	t _{PLZ}	RL=110Ω, Figure 6			85	ns
Driver Output Enable Time from Shutdown to a Logic-low	t _{PSL}	RL=110Ω, Figure 6		20	100	ns
Driver Output Enable Time from Shutdown to a Logic-high	t _{PSH}	RL=110Ω, Figure 5		20	100	ns
Receiving						
Shutdown Time	t _{SHDN}		50		300	ns
Receiver Delay Time from Low to High	t _{RPLH}	VID=0 to 3.0V, CL=15pF, Figure 7		60		ns
Receiver Delay Time from High to Low	t _{RPHL}	VID=0 to 3.0V, CL=15pF, Figure 7		60		ns
t _{rplh} - t _{rphl} Delay Times	t _{RPDS}	VID=0 to 3.0V, CL=15pF, Figure 7		3	10	ns
Output Enable Time to Low	t _{PRZL}	CL=15pF, Figure 8		100	300	ns
Output Enable Time to High	t _{PRZH}	CL=15pF, Figure 8		100	300	ns
Output Shutdown to High	t _{PRHZ}	CL=15pF, Figure 8		25	55	ns
Output Shutdown to Low	t _{PRLZ}	CL=15pF, Figure 8		25	55	ns
Output Enable Time from Shutdown to Low	t _{PRSL}	CL=15pF, Figure 8		100	300	ns
Output Enable Time from Shutdown to High	t _{PRSH}	CL=15pF, Figure 8		100	300	ns

Communication Function Table

Table 1: Transmitting

Inputs			Outputs		Mode
\overline{RE}	DE	DI	B	A	
X	1	1	0	1	Normal.
X	1	0	1	0	Normal.
0	0	X	High-Z	High-Z	Normal I
1	0	X	High-Z	High-Z	Shutdown

Table 2: Receiving

Inputs			Outputs	Mode
\overline{RE}	DE	A, B	RO	
0	X	>-50mV	1	Normal
0	X	<-200mV	0	Normal
0	X	Input Open	1	Normal I
1	0	X	High-Z	Shutdown

Test Circuits and Typical Circuits

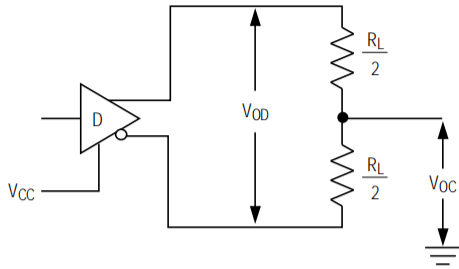


Figure 1 Transmitting V_{OD} and V_{OC}

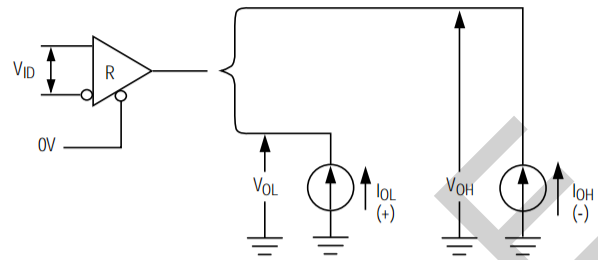


Figure 2 Receiving V_{OH} and V_{OL}

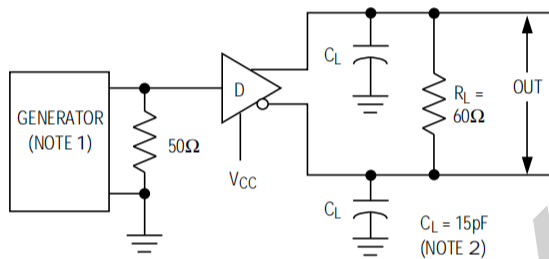


Figure 3. Differential Output Delay and Conversion Time

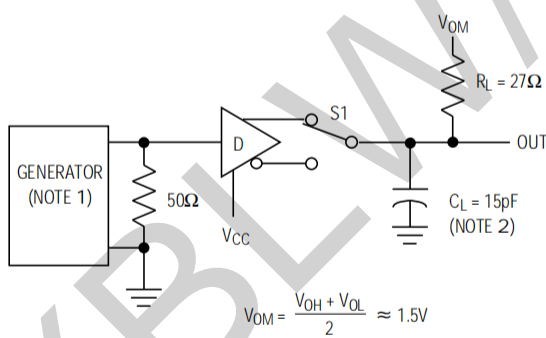
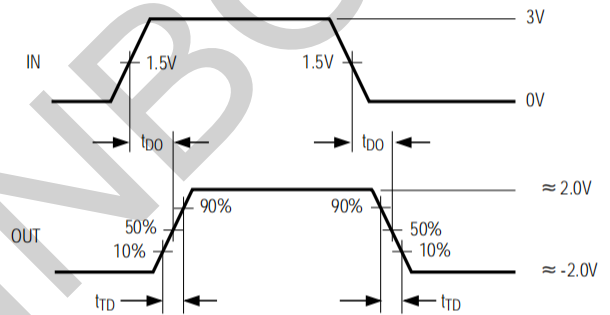


Figure 4 Transmission Delay Time

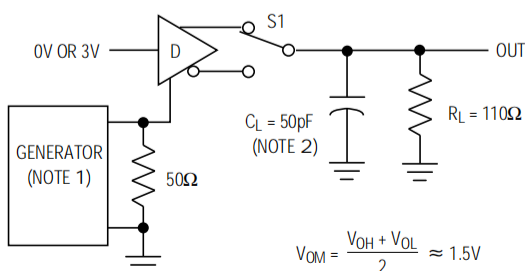
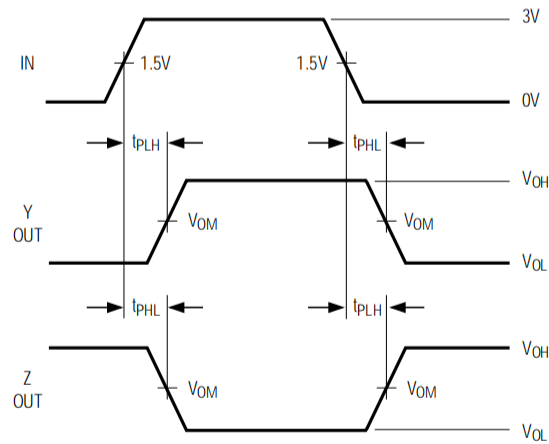
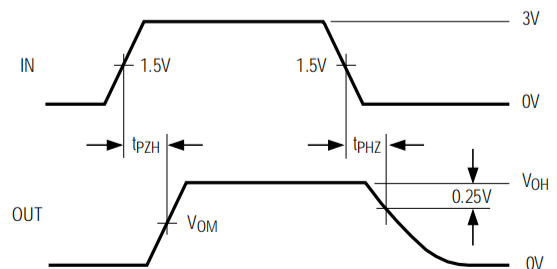


Figure 5. Enable and Shutdown Times (t_{PZH} , t_{PSH} , t_{PHZ})



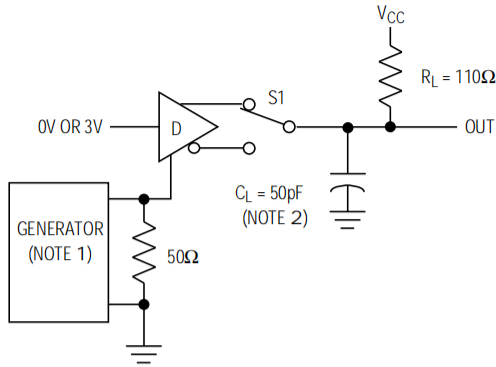


Figure 6. Enable and Shutdown Times (t_{PZL} , t_{PSL} , t_{PLZ})

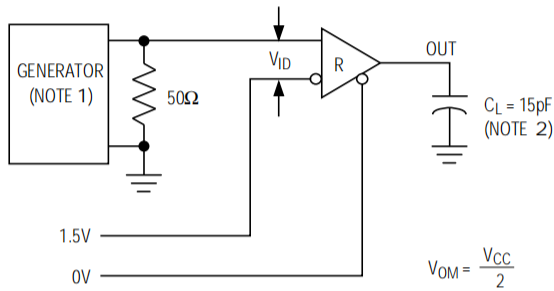
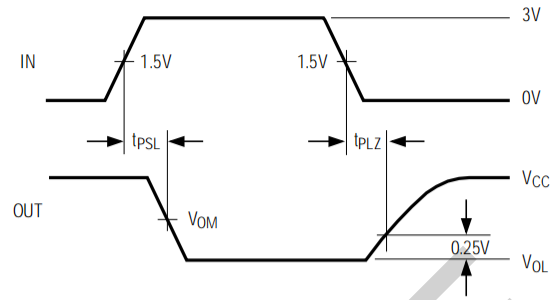


Fig. 7 Receiving Transmission Delay

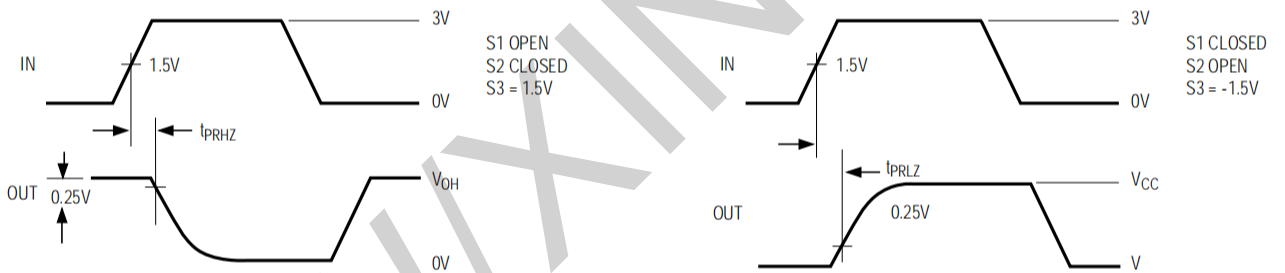
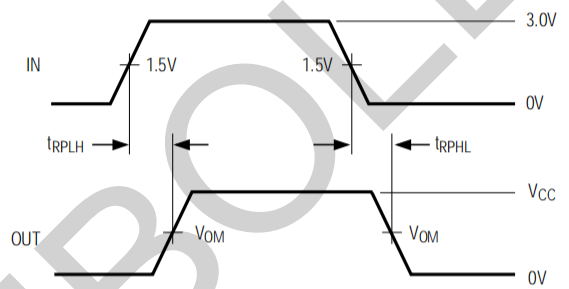


Figure 8 Receiving OPEN and CLOSE Times

Note 1: The input pulse is supplied by a generator with the following characteristics: PRR = 250kHz, 50% duty cycle, $t_r \leq 6.0\text{ns}$, $Z_O = 50\Omega$.
Note 2: C_L includes probe and stray capacitance.

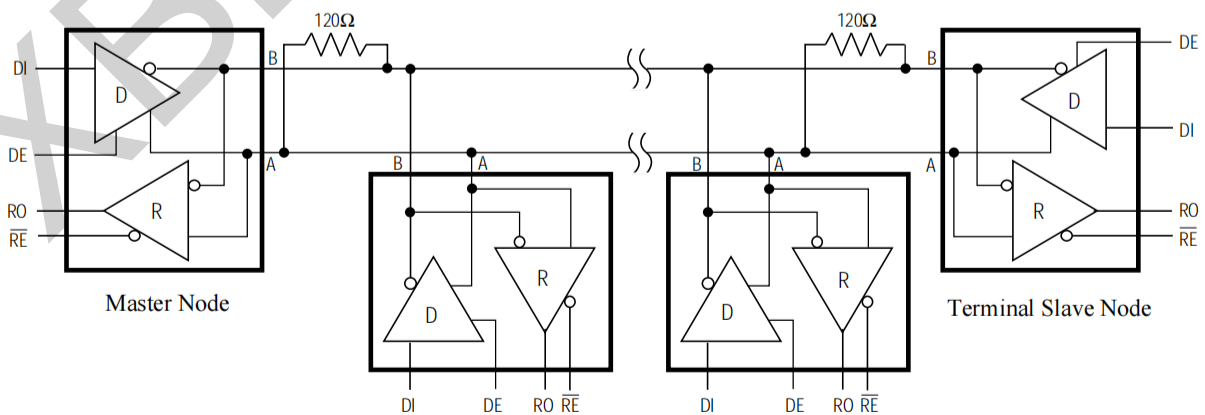


Figure 9 Typical Half-duplex RS-485 Network Application

Detailed Function Description

The MAX1487 series is a low-power transceiver for RS-485 communication network and can support data transmitting rates up to 12 Mbps. All components are half duplex, including the Drive Enable (DE) and ReceiverEnable (RE) pins. When powered off, the outputs of driver and receiver are high impedance.

◆ ESD Protection

The MAX1487 A B pins are particularly susceptible to ESD shocks because they are typically as external pins in products. Human actions like simply touching the pins or other actions can result in ESD problems.

Though MAX1487 itself already has good ESD capabilities, additional ESD protection devices are suggested to be added between the external A pin and B pin to enhance its performance.

◆ Low Power and Shutdown Mode

Low power shutdown mode is initiated by turning \overline{RE} up and turning DE down. When powered off, the device typically draws only 1uA of supply current. \overline{RE} and DE can be driven simultaneously. When \overline{RE} in high and DE are less than 50ns, the components are guaranteed to continue. If the input is in this state for at least 300ns, the components are guaranteed to close. From the switching characteristics table, if the Enable Times t_{PZH} and t_{PZL} is not in a low power shutdown state and the component to start the enable times is turned off, Time of enabling the driver and receiver from low power off mode (t_{PSH} , t_{PSL}) takes longer than that of enabling them from disabled mode (t_{PZH} , t_{PZL}).

◆ Bus Supports 128-node Transceiver

The standard RS-485 receiver has an input impedance of 12k Ω (one unit load), and the standard driver can drive up to 32 unit loads. The MAX1487 transceiver has a 1/8 unit load receiver with input impedance (96k Ω), allowing 128 transceivers to be connected in parallel on a single communication line. Any combination of these devices and/or other RS-485 transceivers with totaling 32 unit loads or less can be connected to the line.

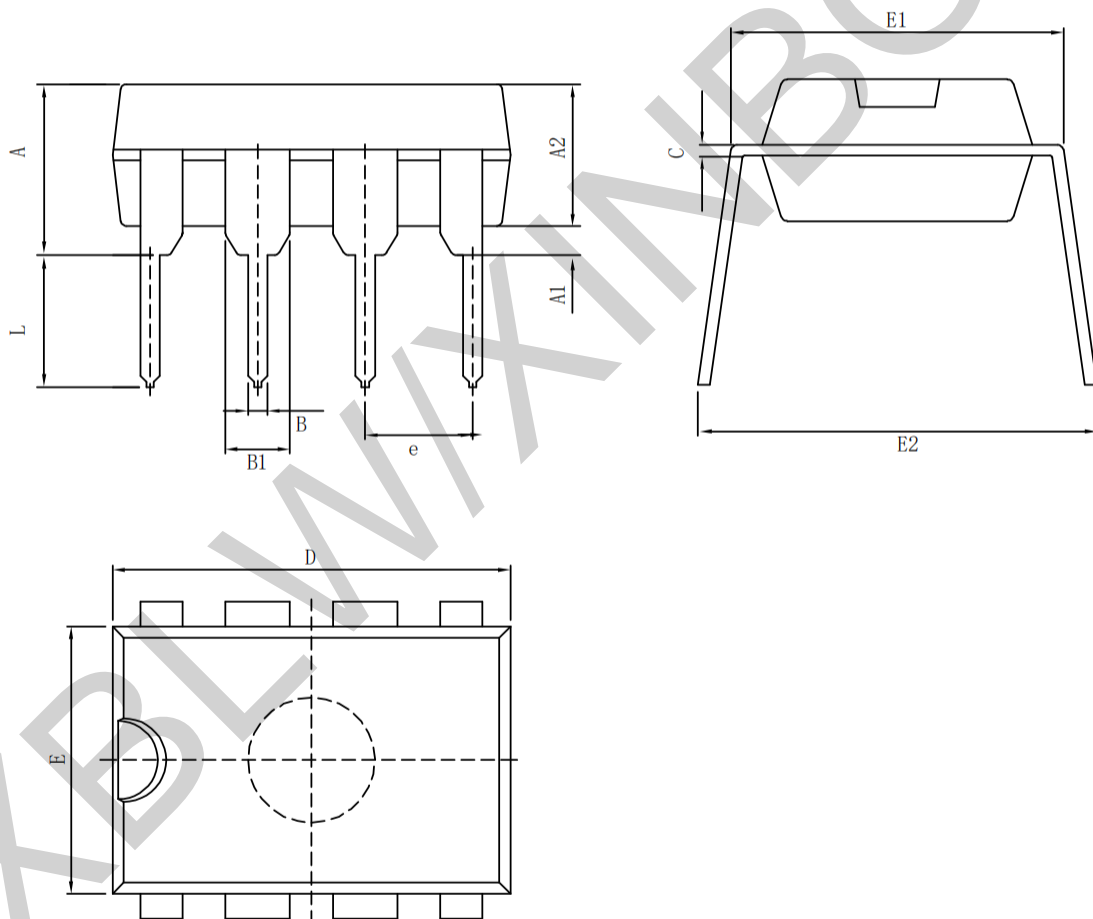
◆ Output Protection

The output protection mechanism can prevent excessive output current and power loss due to faults or bus contention. First, the folded current limit on the output stage can provide immediate short-circuit protection over the entire common-mode voltage range. Second, a thermal shutdown circuit can force the driver output to a high impedance state if the mold temperature becomes too high.

Package Information

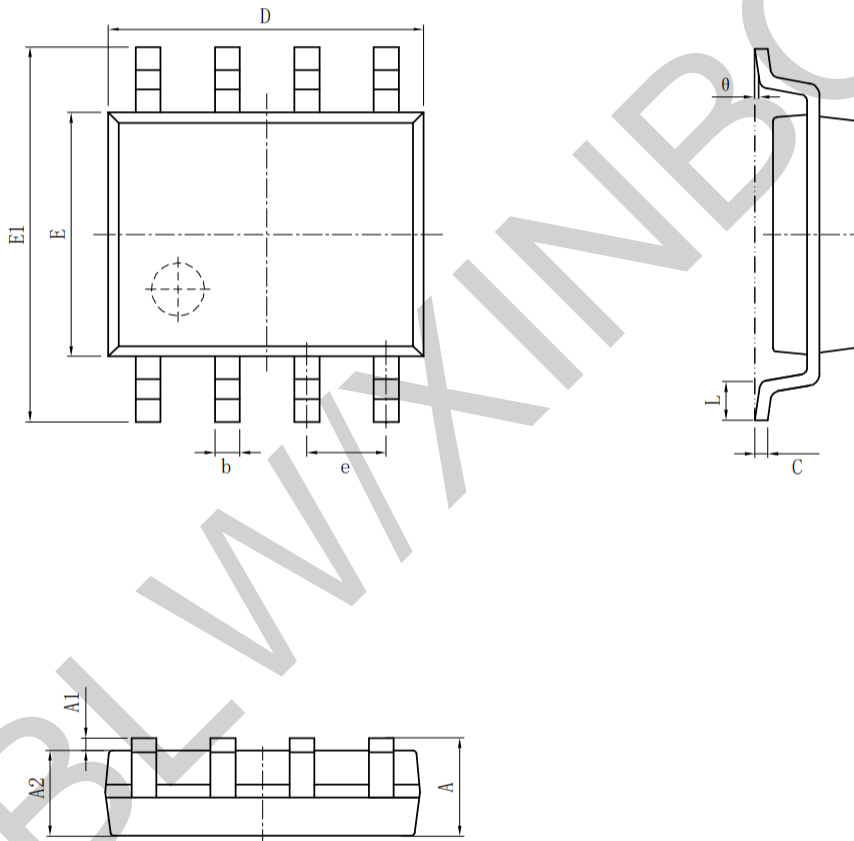
• DIP-8

Size Symbol	Dimensions In Millimeters		Size Symbol	Dimensions In Inches	
	Min (mm)	Max (mm)		Min (in)	Max (in)
A	3.710	4.310	A	0.146	0.170
A1	0.510		A1	0.020	
A2	3.200	3.600	A2	0.126	0.142
B	0.380	0.570	B	0.015	0.022
B1	1.524 (BSC)		B1	0.060 (BSC)	
C	0.204	0.360	C	0.008	0.014
D	9.000	9.400	D	0.354	0.370
E	6.200	6.600	E	0.244	0.260
E1	7.320	7.920	E1	0.288	0.312
e	2.540 (BSC)		e	0.100 (BSC)	
L	3.000	3.600	L	0.118	0.142
E2	8.400	9.000	E2	0.331	0.354



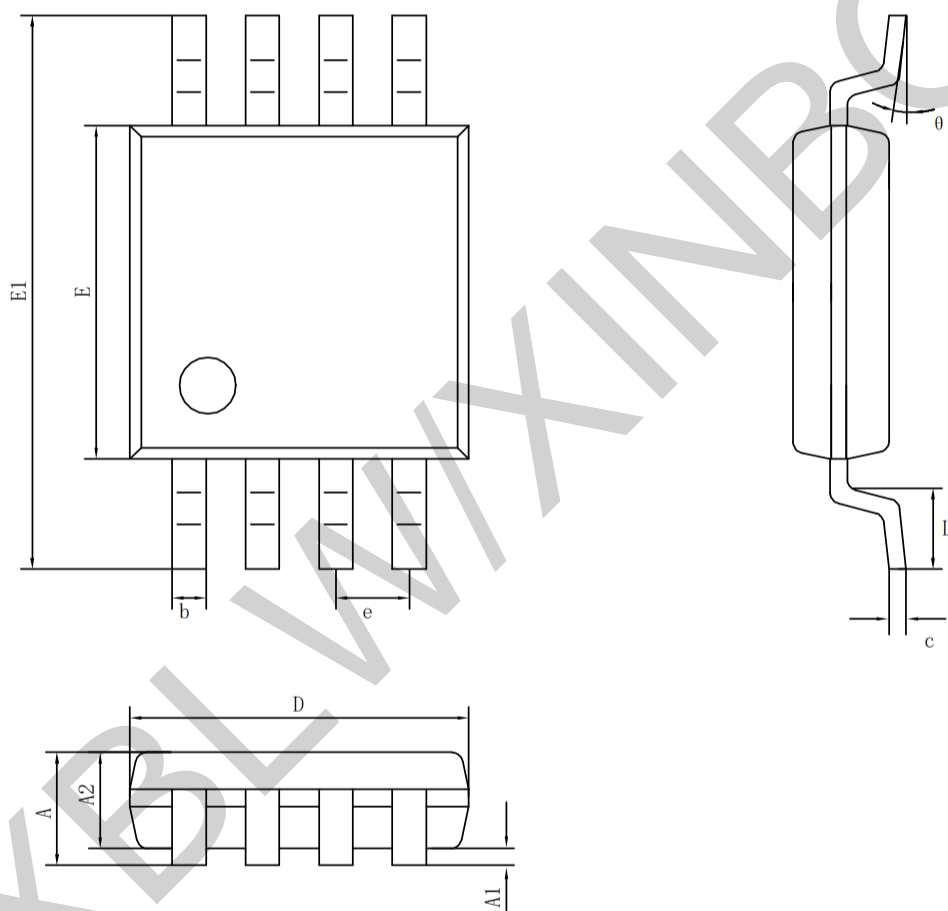
• SOP-8

Size Symbol	Dimensions In Millimeters		Size Symbol	Dimensions In Inches	
	Min (mm)	Max (mm)		Min (in)	Max (in)
A	1.350	1.750	A	0.053	0.069
A1	0.100	0.250	A1	0.004	0.010
A2	1.350	1.550	A2	0.053	0.061
b	0.330	0.510	b	0.013	0.020
c	0.170	0.250	c	0.006	0.010
D	4.700	5.100	D	0.185	0.200
E	3.800	4.000	E	0.150	0.157
E1	5.800	6.200	E1	0.228	0.224
e	1.270 (BSC)		e	0.050 (BSC)	
L	0.400	1.270	L	0.016	0.050
θ	0°	8°	θ	0°	8°



· MSOP-8

Size Symbol	Dimensions In Millimeters		Size Symbol	Dimensions In Inches	
	Min (mm)	Max (mm)		Min (in)	Max (in)
A	0.820	1.100	A	0.320	0.043
A1	0.020	0.150	A1	0.001	0.006
A2	0.750	0.950	A2	0.030	0.037
b	0.250	0.380	b	0.010	0.015
c	0.090	0.230	c	0.004	0.009
D	2.900	3.100	D	0.114	0.122
e	0.65 (BSC)		e	0.026 (BSC)	
E	2.900	3.100	E	0.114	0.122
E1	4.750	5.050	E1	0.187	0.199
L	0.400	0.800	L	0.016	0.031
θ	0°	6°	θ	0°	6°



Statement:

- XBLW reserves the right to modify the product manual without prior notice! Before placing an order, customers need to confirm whether the obtained information is the latest version and verify the completeness of the relevant information.
- Any semi-guide product is subject to failure or malfunction under specified conditions. It is the buyer's responsibility to comply with safety standards when using XBLW products for system design and whole machine manufacturing. And take the appropriate safety measures to avoid the potential in the risk of loss of personal injury or loss of property situation!
- XBLW products have not been licensed for life support, military, and aerospace applications, and therefore XBLW is not responsible for any consequences arising from the use of this product in these areas.
- If any or all XBLW products (including technical data, services) described or contained in this document are subject to any applicable local export control laws and regulations, they may not be exported without an export license from the relevant authorities in accordance with such laws.
- The specifications of any and all XBLW products described or contained in this document specify the performance, characteristics, and functionality of said products in their standalone state, but do not guarantee the performance, characteristics, and functionality of said products installed in Customer's products or equipment. In order to verify symptoms and conditions that cannot be evaluated in a standalone device, the Customer should ultimately evaluate and test the device installed in the Customer's product device.
- XBLW documentation is only allowed to be copied without any alteration of the content and with the relevant authorization. XBLW assumes no responsibility or liability for altered documents.
- XBLW is committed to becoming the preferred semiconductor brand for customers, and XBLW will strive to provide customers with better performance and better quality products.

单击下面可查看定价，库存，交付和生命周期等信息

[>>XBLW\(芯伯乐\)](#)