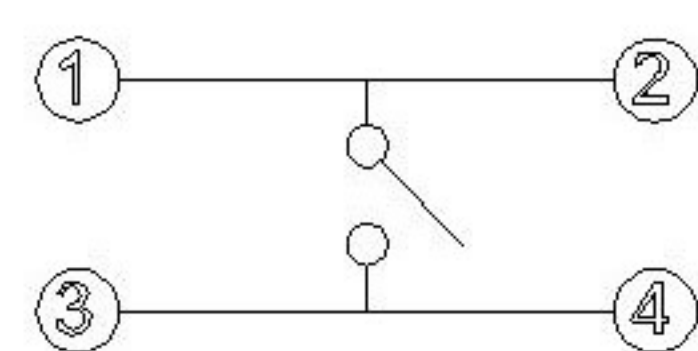
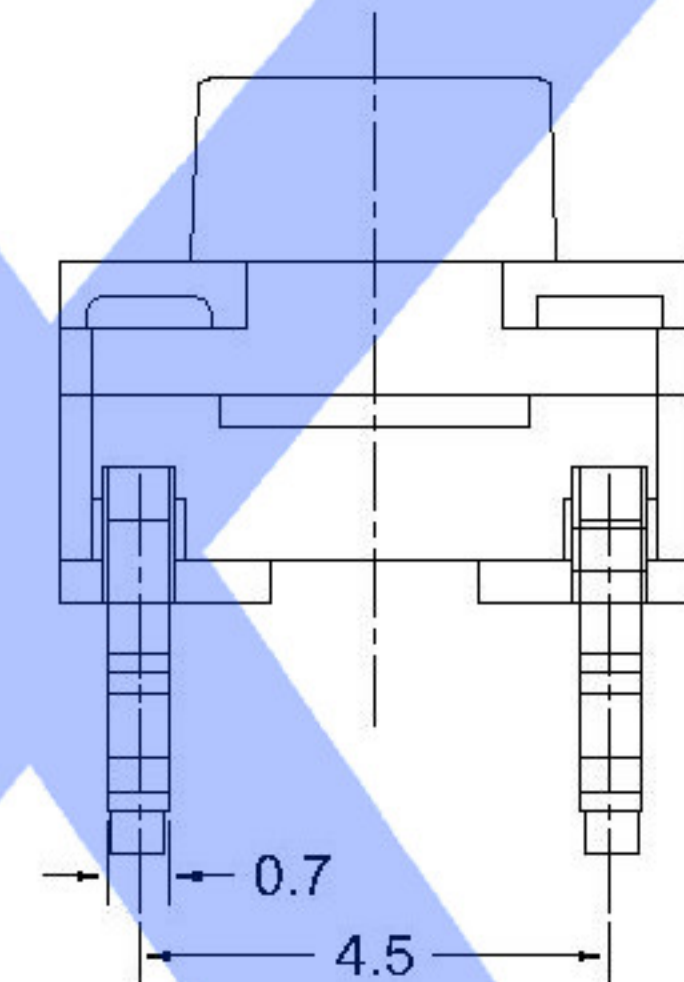
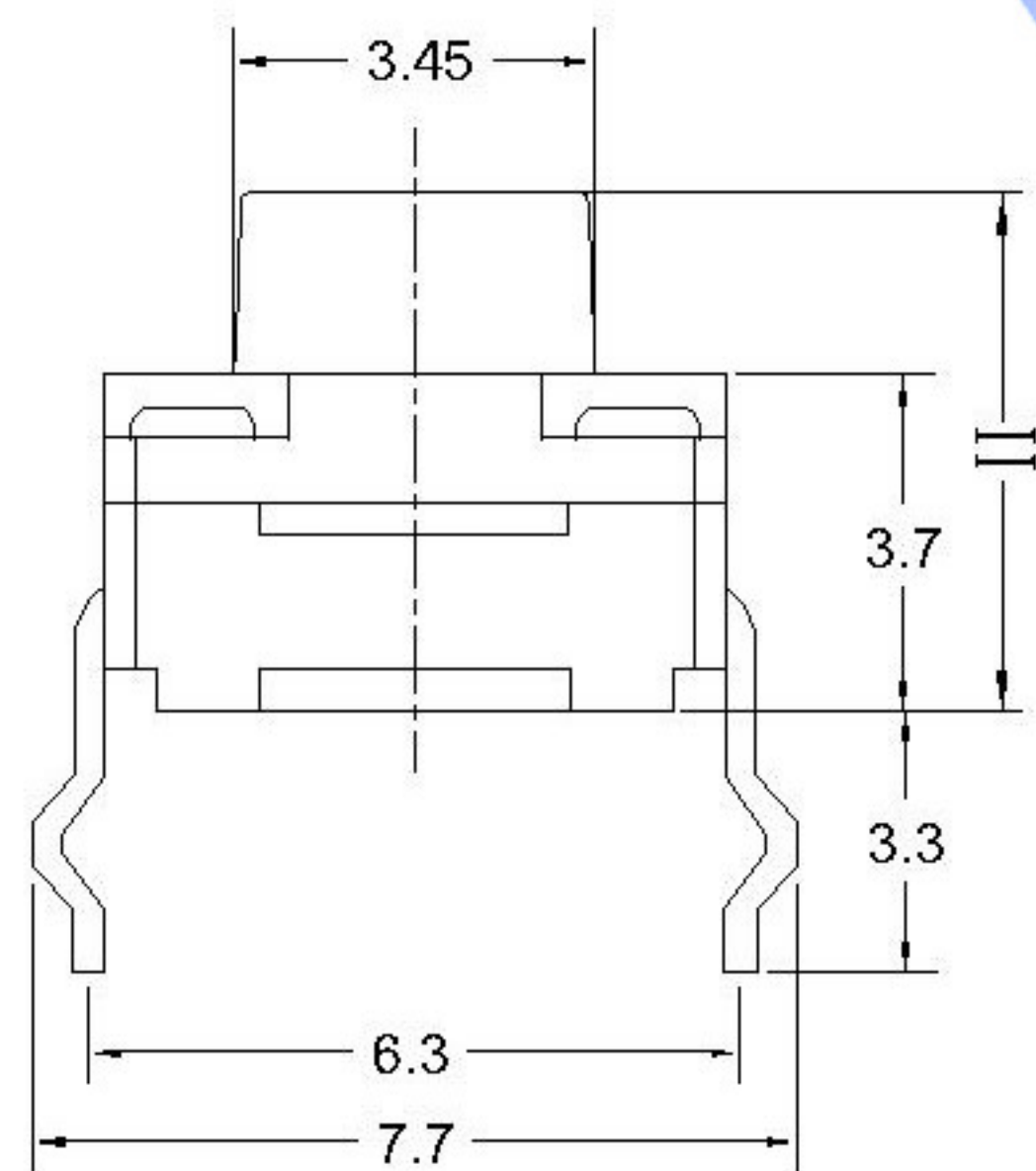


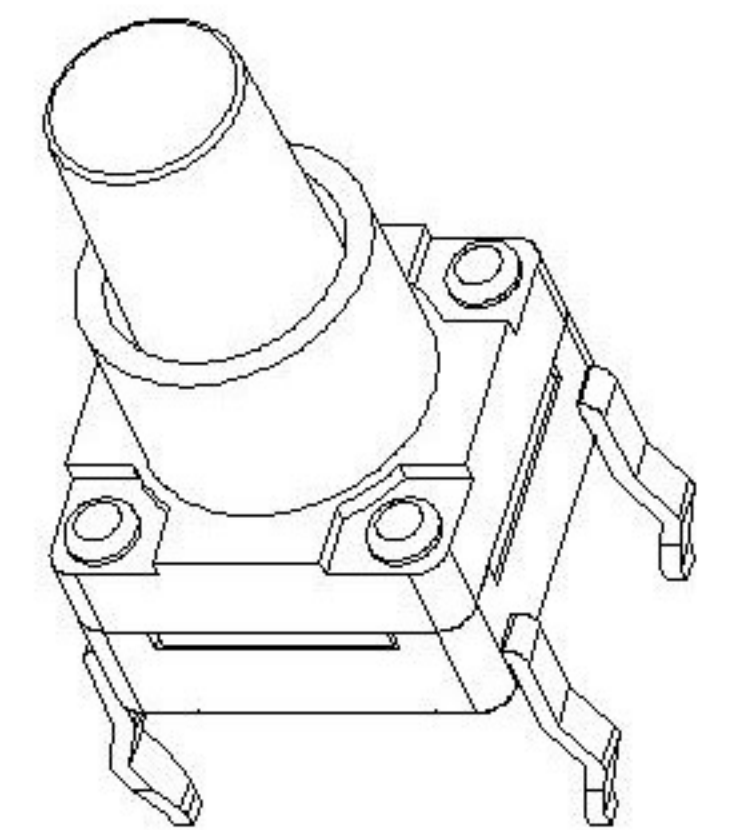
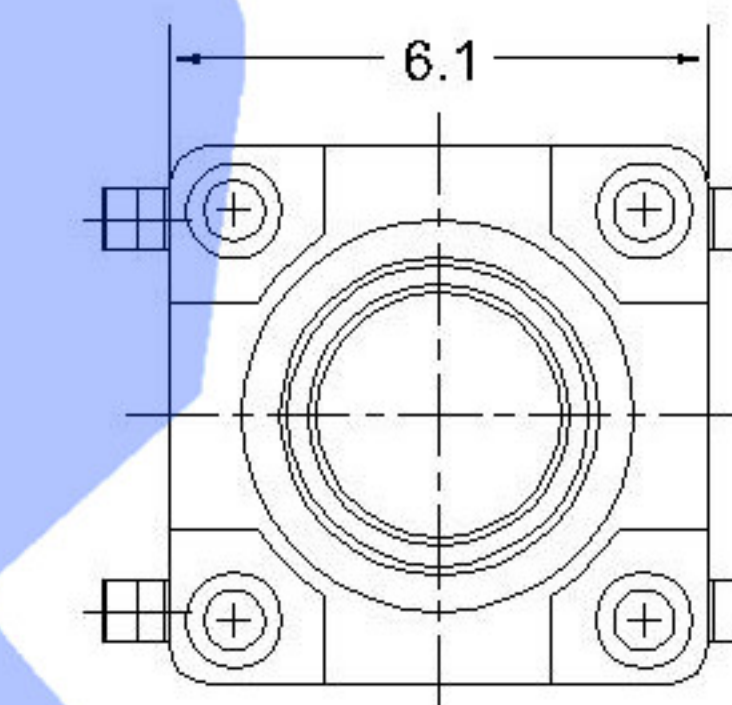
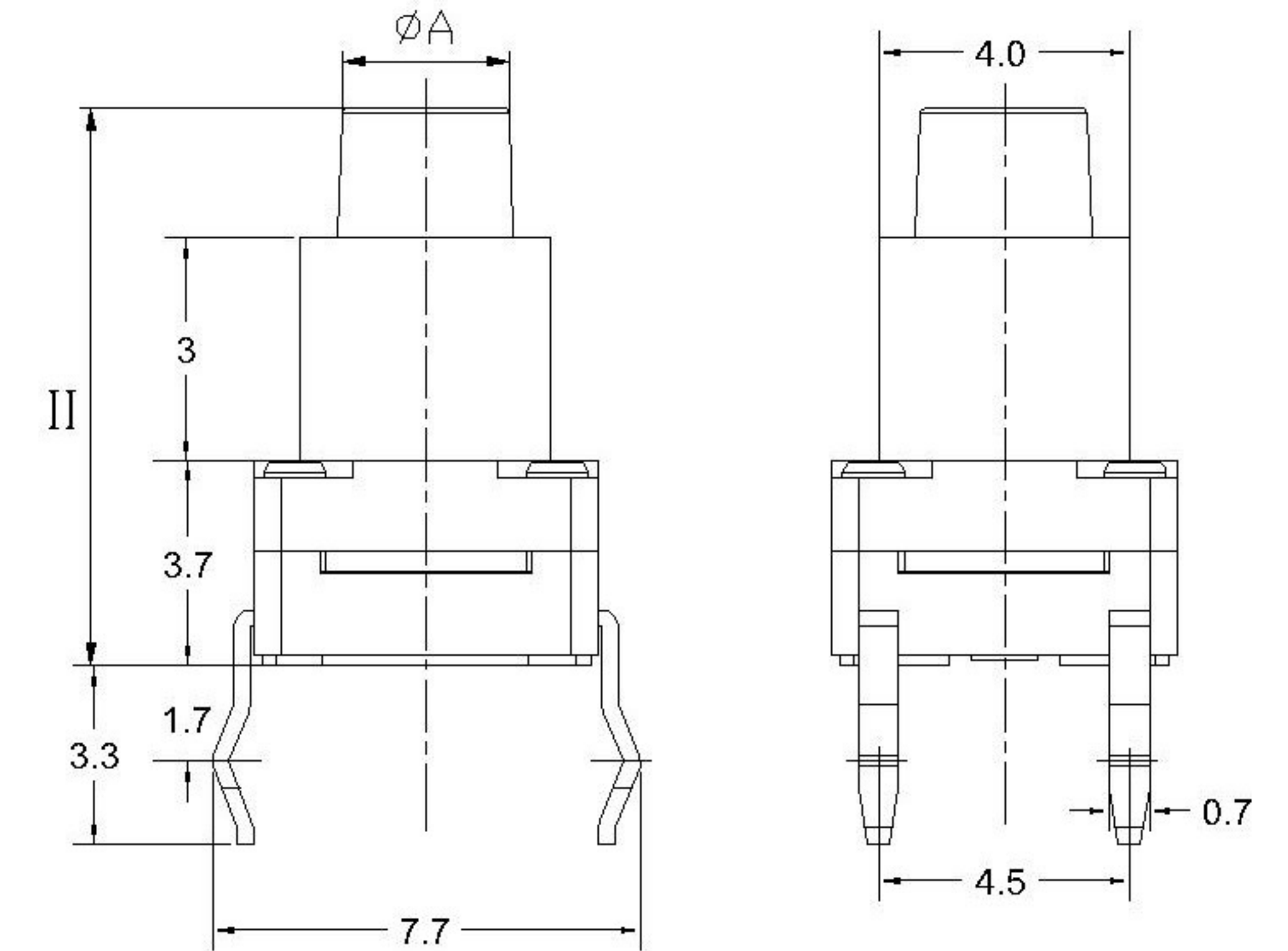
PCB LAYOUT
MOUNTING PATTERN



CIRCUIT DIAGRAM

| Code-X | H |
|--------|-----|
| A | 4.3 |
| B | 4.5 |
| C | 5.0 |
| D | 5.5 |
| E | 6.0 |
| F | 6.5 |
| G | 7.0 |
| H | 7.5 |
| I | 8.0 |
| J | 8.5 |
| K | 9.0 |

| Code-X | H |
|--------|------|
| L | 9.5 |
| M | 10.0 |
| N | 10.5 |
| O | 11.0 |
| P | 11.5 |
| Q | 12 |
| R | 12.5 |
| S | 13.0 |
| T | 13.5 |
| U | 14.0 |
| V | 15.0 |
| W | 15.5 |
| X | 16 |
| Y | 16.5 |
| Z | 17 |
| 18 | 18 |
| 19 | 19 |



SPECIFICATION

Contact Rating: 50mA, 12V DC
 Contact Resistance: 100mΩ max
 Insulation Resistance: 100mΩ min. 500V DC
 Dielectric Strength: 250V AC/1minute
 Travel: 0.25mm
 Operating Temp: -25°C~+80°C
 Storage Temp: -30°C~+80°C

| | |
|-----------------|----------------------------|
| PAPT NO | TC-FS66D-X-X |
| Operating Force | A: 100gf B: 160gf C: 260gf |
| Height | Code-X |

| ITEM | PAPT NAMF | TER,NO | QTY | MATERIAL | FINISHING | REMARK |
|------|-----------|--------|-----|---------------|-------------------|--------|
| ⑤ | Terminal | — | 4 | Brass (0.30t) | Plating silvering | — |
| ④ | Contact | — | 1 | F.ag/Sus | Natural | — |
| ③ | Base | — | 1 | Pa46 | — | — |
| ② | Cover | — | 1 | Pa46 | — | — |
| ① | Keystake | — | 1 | Pa46 | — | — |

| MARK | DESCRIPTION | DATE | REVISED | APPROVED | units: mm | DSND | DATE | SCALE: N/A | MODEL TYPE: TACT SWITCH | | |
|------|-------------|------|---------|----------|------------------------|------|------|------------|----------------------------|-------|----------|
| Δ X | | | | | tolerance: | DWN | DATE | VIEW: | PART NO.: | | |
| Δ X | | | | | X.X ±0.2mm | CHKD | DATE | UNIT: mm | DWG NO.: | | |
| Δ X | | | | | X.XX ±0.1mm | APPD | DATE | SIZE: A4 | TC-FS66D-X-X | | |
| | | | | | X.XXX ±0.05mm | | | | WEIGHT | SHEET | REVISION |
| | | | | | UNSPECIFIED TOLERANCES | | | | 1.0g | 1/1 | A0 |

单击下面可查看定价，库存，交付和生命周期等信息

[>>XKB Connectivity\(中国星坤\)](#)