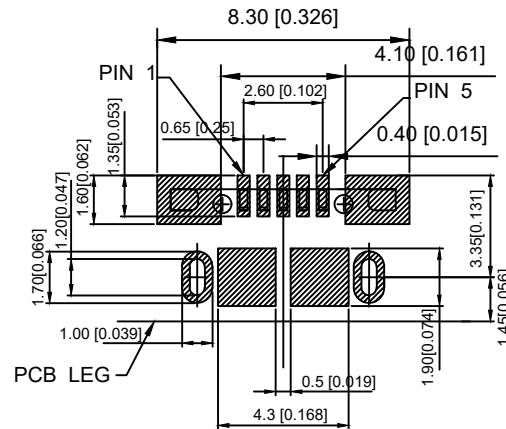
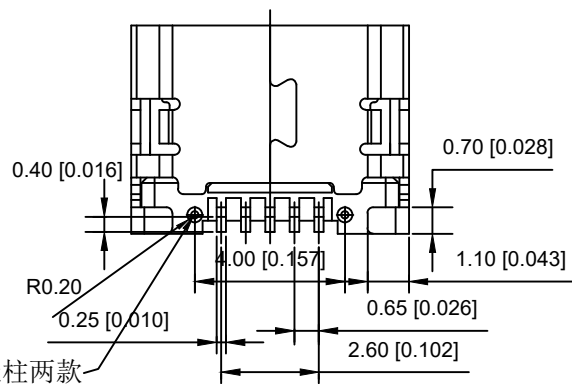
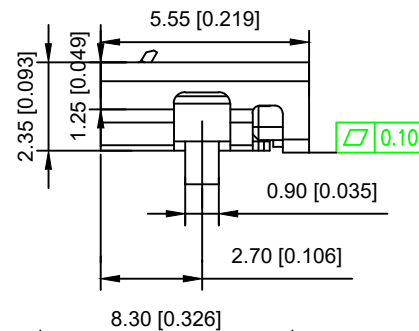
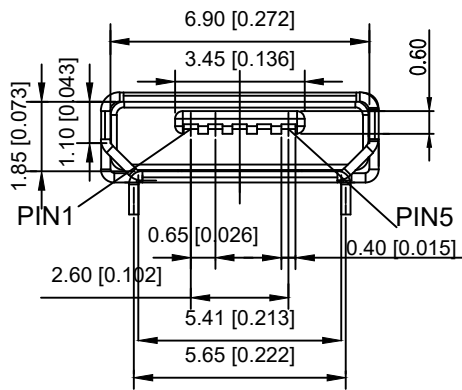


Material
 Housing Material: LCP, UL94V-0, black
 Contact Terminal: Copper Alloy
 Metallic Shell: Sus
 Electrical
 Voltage Rating: 30 V AC
 Current Rating: Signal (Pins 2,3,4): 1.0A, Power (Pins 1,5): 1.8A
 Contact Resistance: 30mΩ Max
 Insulation resistance: 1000MΩ Min
 Dielectric withstanding voltage: 250V AC/Minute
 Mechanical
 Durability: 10,000 cycles
 Mating Force: 35N (3.57Kgf) Max
 Unmating Force: 8N (0.82Kgf) Min.
 OPERATING TEMPERATURE:-20 ~+85



U255-05XX-4BH82-XXS
 1:AU 1U"
 6:AU 30U"
 T:TIN
 N:NICKEL
 1:With 2:Without
 S:Scrolls F:Flat

RECOMMENDED P.C.B LAYOUT
 TOP VIEW (TOLRANCE:±0.05)

						ANGLAR	±5°	
Δx						L ≤ 4	±0.2	
Δx						4 < L ≤ 16	±0.3	
Δx						16 < L ≤ 63	±0.4	
MARK	DESCRIPTION	REVISIONS	DATE	REVISED	APPROVED	L > 63	±0.5	
							UNSPECIFIED TOLERANCES	
www.helloxkb.com								



DSND		SCALE: N/A	MODEL TYPE: MICRO USB
DWN		VIEW:	PART NO.: X-U255-05XX-4BH82-XXS
CHKD		UNIT: mm/in	DWG NO.:
APPD		SIZE: A4	
		WEIGHT	SHEET
		1/1	REVISION A0

XKB INDUSTRIAL PRECISION CO., LIMITED

单击下面可查看定价，库存，交付和生命周期等信息

[>>XKB Connectivity\(中国星坤\)](#)