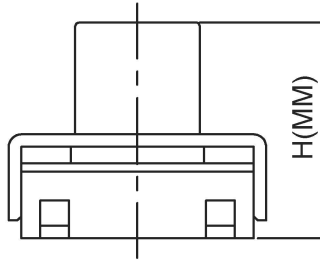
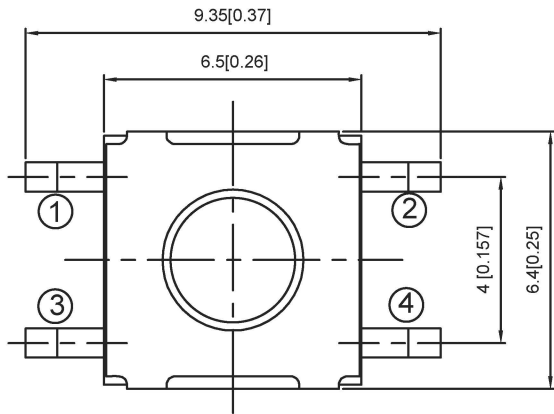


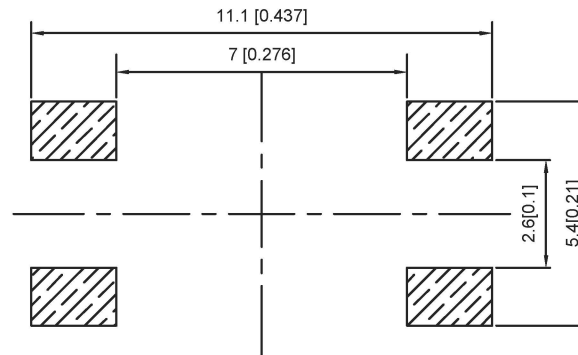
IP65



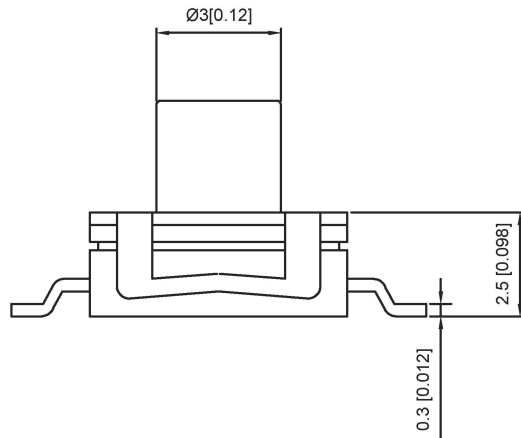
SPECIFICATION

Contact Rating: 50mA, 12V DC
 Contact Resistance: 100mΩ max
 Insulation Resistance: 100mΩ min. 500V DC
 Dielectric Strength: 250V AC/1minute
 Travel: 0.25mm
 Operating Temp: -30°C ~ +85°C
 Storage Temp: -30°C ~ +80°C

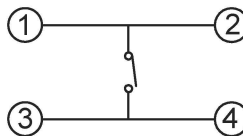
PCB Mounting pattern Dimension



PAPT NO	TS-1158B-X-X-X
Operating Force	B:160gf C:260gf E:400gf
Height	H: A:3.1 B:3.5 C:4.3 D:5.0
Color	BL:blue W:white



Circuit Diagram



ITEM	PAPT NAMF	TER,NO	QTY	MATERIAL	FINISHING	REMARK
⑤	Terminal	—	4	Brass (0.30t)	Plating silvering	—
④	Contact	—	1	F.ag/Sus	Natural	—
③	Base	—	1	PA46		—
②	Cover	—	1	SPSS	Plating Nickel	—
①	Keystake	—	1	Silica gel		—

广东星坤科技股份有限公司

生效日期

文件工程章

DSND	DATE	SCALE: N/A	MODEL TYPE: TACT SWITCH
DWN	DATE	VIEW:	PART NO.:
CHKD	DATE	UNIT: mm/in	DWG NO.: TS-1158B-X-X-X
APPD	DATE	SIZE: A4	WEIGHT: 1.0g
KXB INDUSTRIAL PRECISION CO., LIMITED			SHEET: 1/1
UNSPECIFIED TOLERANCES			REVISION: A0

单击下面可查看定价，库存，交付和生命周期等信息

[>>XKB Connectivity\(中国星坤\)](#)