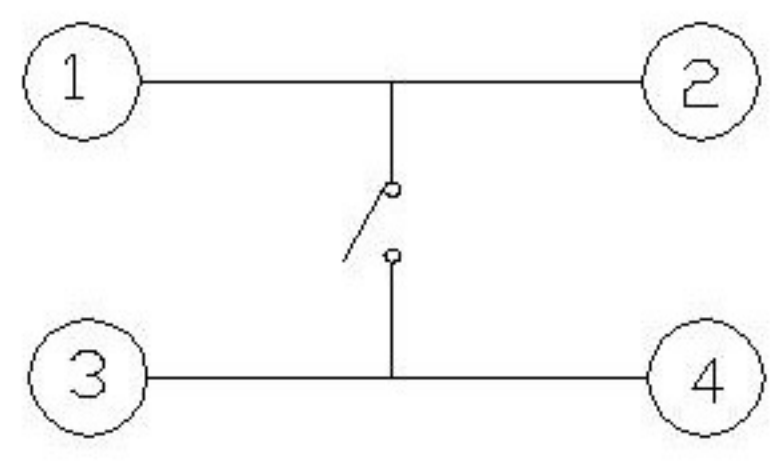


Code-X	H	Code-X	H
A	4.3	O	11.0
B	4.5	P	11.5
C	5.0	Q	12
D	5.5	R	12.5
E	6.0	S	13.0
F	6.5	T	13.5
G	7.0	U	14.0
H	7.5	V	15.0
I	8.0	W	15.5
J	8.5	X	16
K	9.0	Y	16.5
L	9.5	Z	17
M	10.0	18	18
N	10.5	19	19

SPECIFICATION

Contact Rating 50mA, 12V DC
 Contact Resistance 100mΩ max.
 Insulation Resistance 100MΩ min. 500V DC
 Dielectric Strength 250V AC/1 minute
 Travel 0.20mm
 Operating Temp. -25°C ~ +70°C
 Storage Temp. -30°C ~ +80°C
 Life: 30 0000 cycles

SWITCH CONNECTOR



PAPT NO	TC-1102-X-X-X
Operating Force	A:100gf B:160gf C:260gf
Height	Code-X
color	B:Black BR:Brown R:Red O:Orange Y:Yellow BL:Blue W:White

ITEM	PAPT NMF	TER,NO	QTY	MATERIAL	FINISHING	REMARK
⑤	Terminal	—	4	Brass (0.30t)	ag Plated	—
④	Contact	—	1	F.ag/SUS	—	—
③	Base	—	1	PPA	—	—
②	Cover	—	1	Brass	Tin plated	—
①	Keystake	—	1	PPA	—	—

MARK	DESCRIPTION	DATE	REVISED	APPROVED	units: mm	DSND	DATE	SCALE: N/A	MODEL TYPE:		
					tolerance:			VIEW:	TACT SWITCH		
					X.X ±0.2mm			UNIT: mm	PART NO.:		
					X.XX ±0.1mm			SIZE: A4	DWG NO.:		
					X.XXX ±0.05mm				TC-1102-X-X-X		
REVISIONS						XKB INDUSTRIAL PRECISION CO.,LIMITED			WEIGHT	SHEET	REVISION
UNSPECIFIED TOLERANCES									1.0g	1/1	A0
www.xk-dg.cn www.helloxkb.com www.helloxkb.cn											

单击下面可查看定价，库存，交付和生命周期等信息

[>>XKB Connectivity\(中国星坤\)](#)