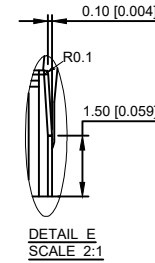
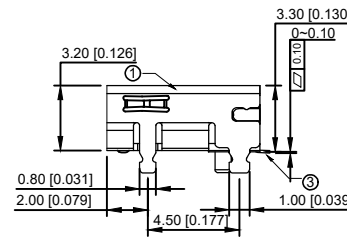
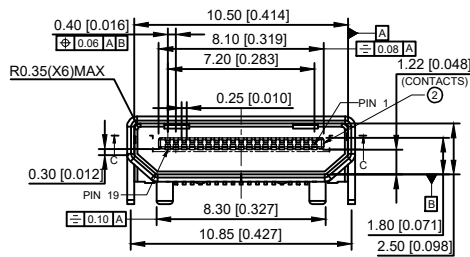


XKB CONNECITITY

NOTE:

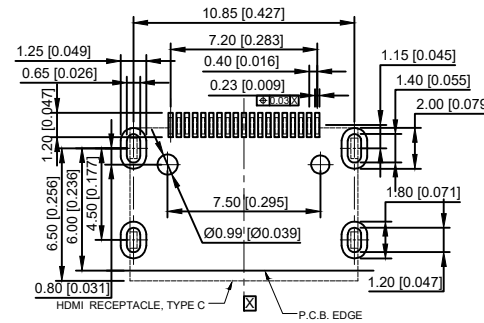
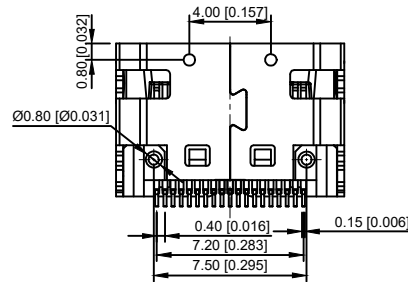
- 1.MECHANICAL:
 - 1.1 INSERTION FORCE:45Kgf MAX
 - 1.2 WITHDRAW FORCE:0.71Kgf~2.55Kgf
- 2.ELECTRICAL:
 - 2.1 CONTACT CURRENT RATING:0.5A MAX
 - 2.2 VOLTAGE RATING:40V AC(RMS)
 - 2.3 DIELECTRIC WITH STANDING VOLTAGE: 500V AC FOR 1 MINUTE
 - 2.4 INSULATION RESISTANCE:100 MEGAOHMS MIN
 - 2.5 CONTACT RESISTANCE:30 MILLIOHMS MAX
- 3.ENVIRONMENTAL:
 - 3.1 OPERATING TEMPERATURE:-25~+85



XKB CONNECITITY

A71-05H3-1X1N1

1:Au 1U"
5:Au 15U"
6:Au 30U"



RECOMMENDED PCB LAYOUT

XKB CONNECITITY

3	CONTACTS	19	COPPER ALLOY,GOLD PLATED OVER NICKEL ON CONTACT AREA AND 100u" MIN.TIN PLATED OVER NICKEL ON SOLDER TAILS
2	HOUSING	1	THERMOPLASTIC UL94V-0
1	SHELL	1	COPPER ALLOY, NICKEL PLATED

						DSND		DATE		SCALE: N/A	MODEL TYPE: HDMI CONNECTOR		
						DWN		DATE		VIEW:	PART NO.: A71-05H4-1X1N1		
						CHKD		DATE		UNIT: mm/in	DWG NO.: A71-05H4-1X1N1		
						APPD		DATE		SIZE: A4			
						UNSPECIFIED TOLERANCES					WEIGHT	SHEET	REVISION
						XKB INDUSTRIAL PRECISION CO.,LIMITED					1.0g	1/1	A0

单击下面可查看定价，库存，交付和生命周期等信息

[>>XKB Connectivity\(中国星坤\)](#)