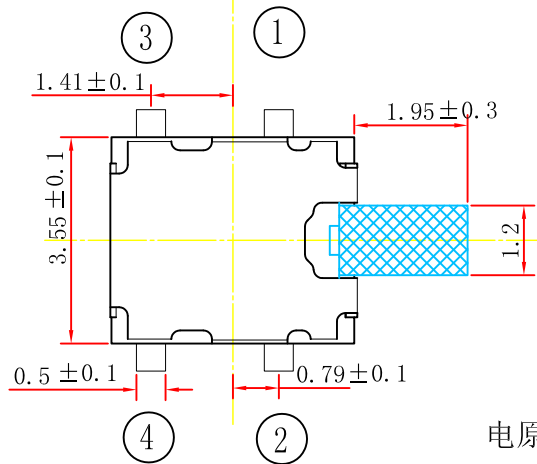
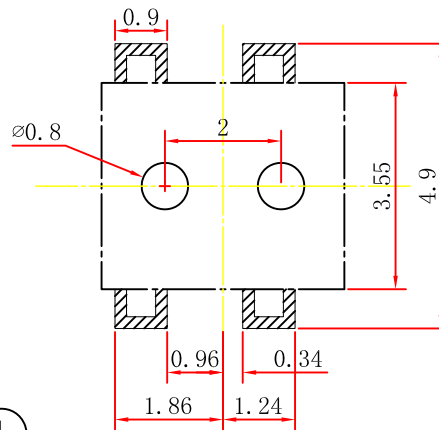


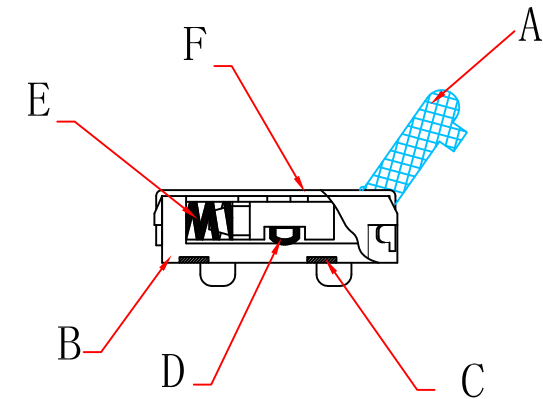
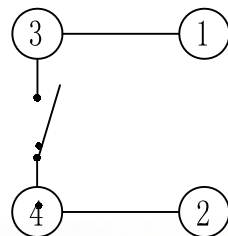
Rated range: 50mA DC12V
 Insulation resistance: 100M min(DC100V)
 Contact resistance: 300m
 Compressive strength: AC100V(50/60Hzfoy1minute)
 Mechanical life: 50000 cycles
 Operating temperature: -10 ~ +60
 Operation strength: 50 ± 30gf



PCB板位置尺寸



电原理图



ITEM	PAPT	NAMF	QTY	Material	colour
F	lid		1	SUS	silvery white
E	Shrapnel		1	SUS	silvery white
D	Contact plate		1	PPA	black
C	Solder patch		1	Phosphor bronze	silvery white
B	base		1	PPA	black
A	Button		1	PA66	wihte

For and on behalf of
XKB INDUSTRIAL PRECISION CO., LIMITED
 香港星坤工業精密有限公司

△ X	
△ X	
△ X	
MARK	

REVISIONS

Authorized Signature(s)

DSND		DATE		SCALE: N/A	MODEL TYPE: TM-1201-X
DWN		DATE		VIEW:	PART NO.:
CHKD		DATE		UNIT: mm	DWG NO.:
APPD		DATE		SIZE: A4	
XKB INDUSTRIAL PRECISION CO., LIMITED				WEIGHT	1.0g
				SHEET	1/1
				REVISION	A0

单击下面可查看定价，库存，交付和生命周期等信息

[>>XKB Connectivity\(中国星坤\)](#)