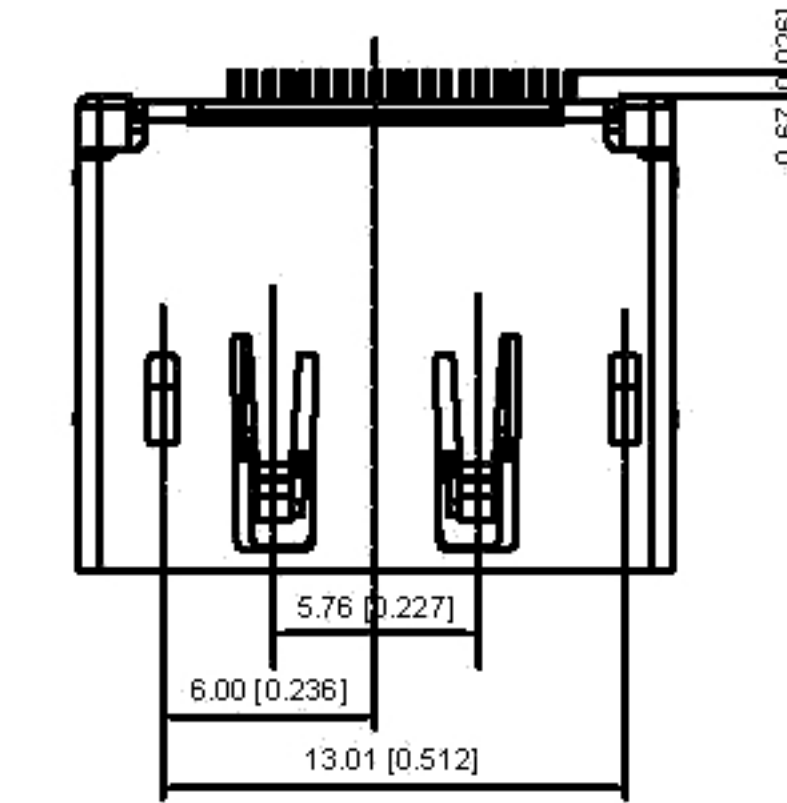
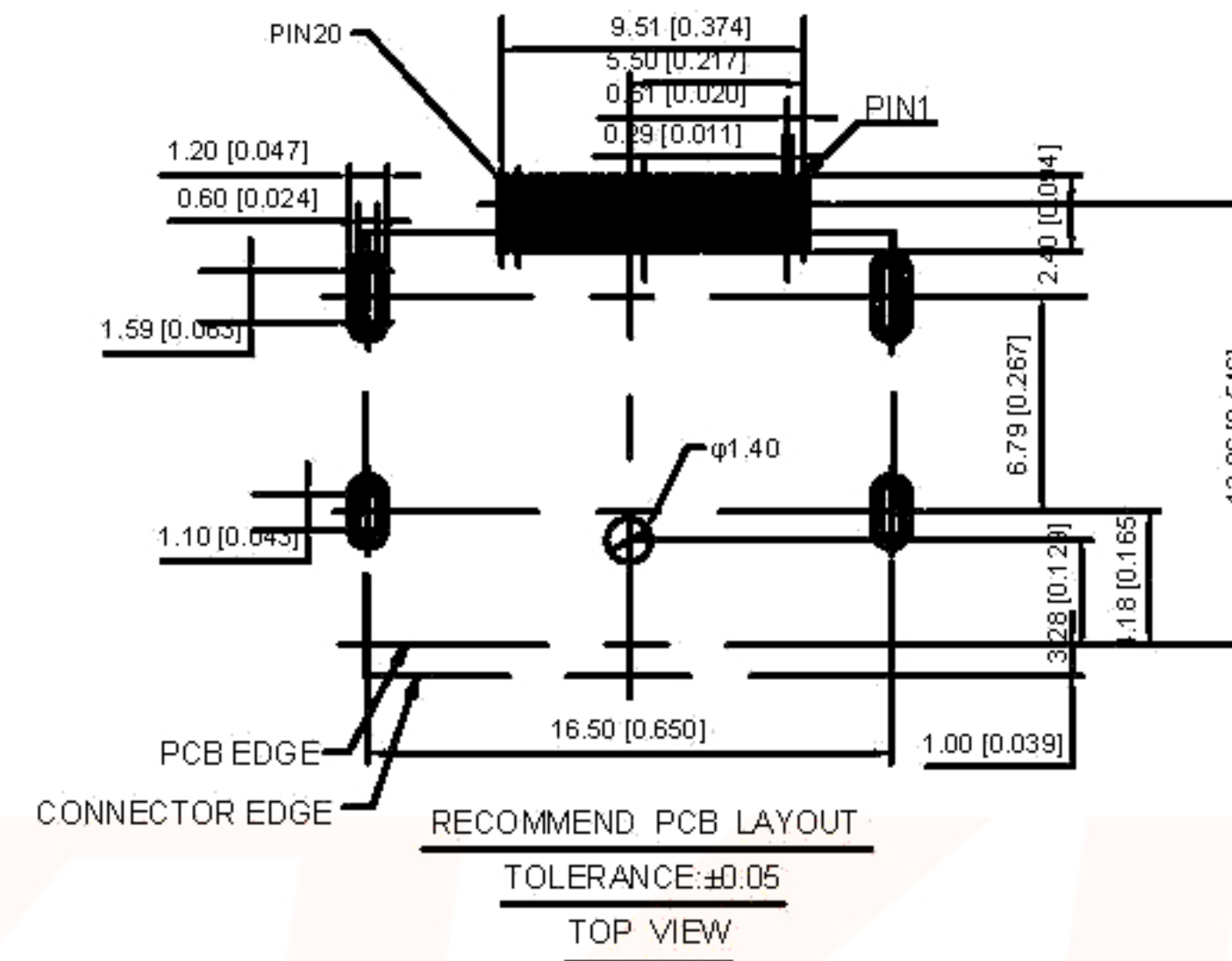
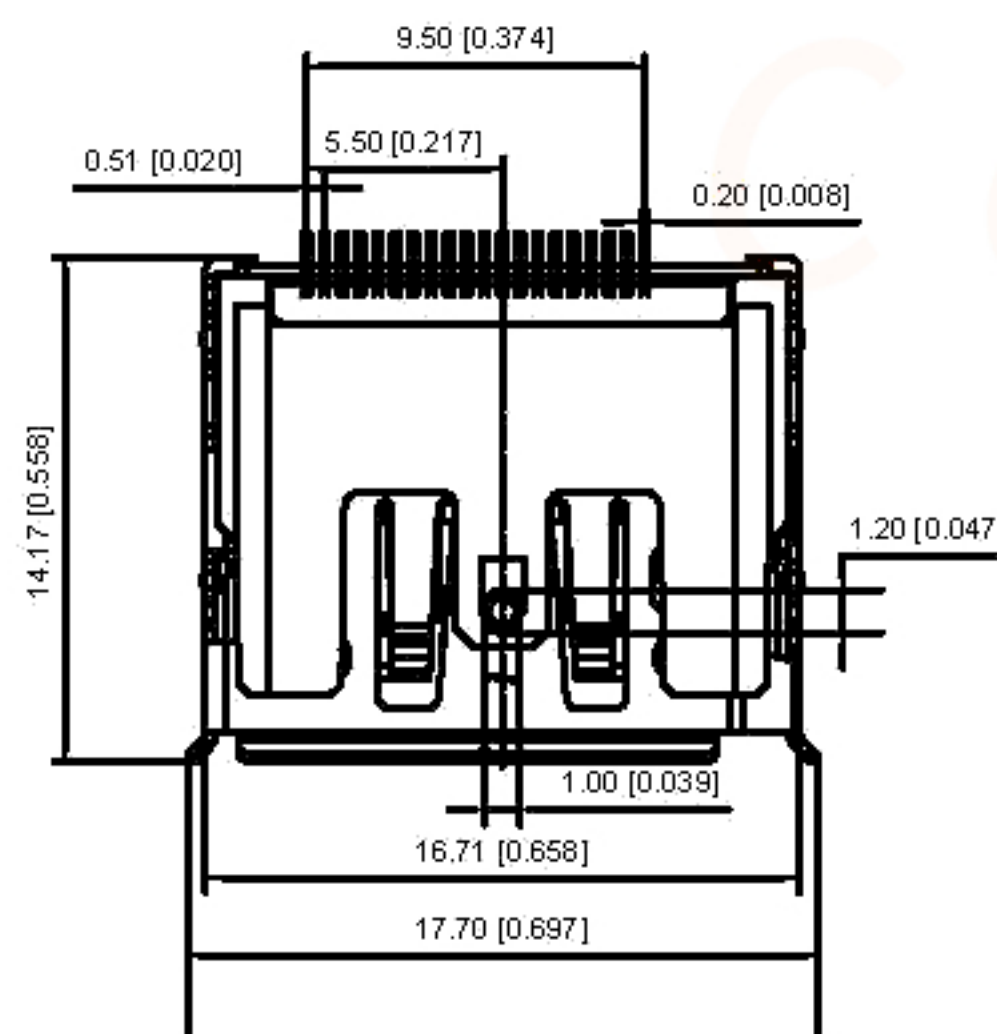
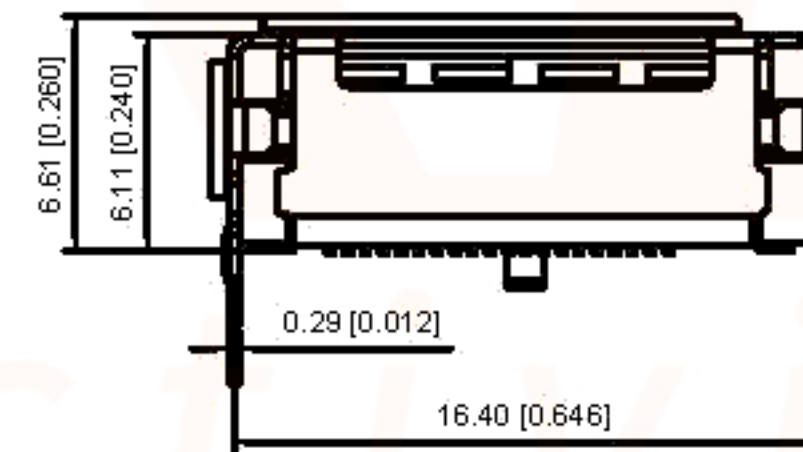
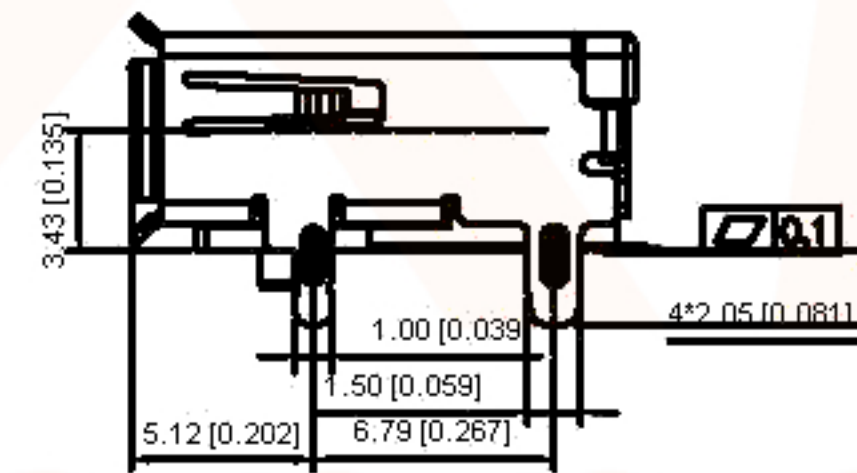
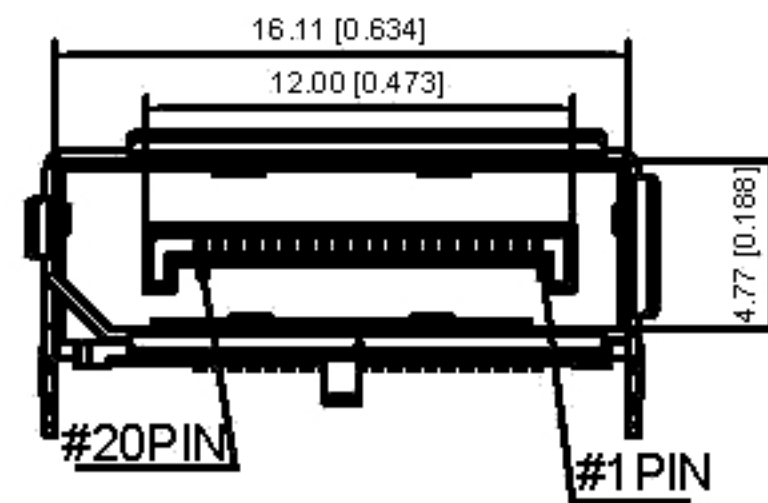


S:Scrolls



F: Flat



MATERIALS

1. HOUSING: LCP (UL94V-0), BLACK.
2. TERMINAL: COPPER ALLOY, GOLD PLATED ON CONTACT AREA, TIN PLATED ON SOLDER TAILS, NICKEL PLATED OVERALL.
3. SHELL: STAINLESS STEEL, NICKEL PLATED OVERALL.

SPECIFICATION

1. CURRENT RATING: 0.5A. MAX.
2. DIELECTRIC WITHSTANDING VOLTAGE: 500V AC R.M.S. FOR ONE MINUTE.
3. INSULATION RESISTANCE: 100MΩ MIN. AT 500V DC.
4. CONTACT RESISTANCE: 30mΩ MAX.
5. OPERATING TEMPERATURE: -25°C TO +85°C.
6. DURABILITY: 10000 CYCLES.
7. MATING FORCE: 4.5kgf MAX.
8. UNMATING FORCE: 1.0kgf MIN.

CAR06 - 201EN X X



- ① PACKAGE
2=TAPE REEL
5=TAPE REEL+MYLAR
- ② Interface type
S:Scrolls
F:Flat

DSND		DATE		SCALE: N/A	MODEL TYPE: DP CONNECTOR																								
DWN		DATE		VIEW:	PART NO.:																								
CHKD		DATE		UNIT: mm/in	DWG NO.: CAR02-201ENXX																								
APPD		DATE		SIZE: A4																									
<table border="1"> <tr> <td>ANGLAR</td> <td>±5°</td> </tr> <tr> <td>L ≤ 4</td> <td>±0.2</td> </tr> <tr> <td>4 < L ≤ 16</td> <td>±0.3</td> </tr> <tr> <td>16 < L ≤ 63</td> <td>±0.4</td> </tr> <tr> <td>L > 63</td> <td>±0.5</td> </tr> </table>				ANGLAR	±5°	L ≤ 4	±0.2	4 < L ≤ 16	±0.3	16 < L ≤ 63	±0.4	L > 63	±0.5	<table border="1"> <tr> <td>WEIGHT</td> <td>SHEET</td> <td>REVISION</td> </tr> <tr> <td>1.0g</td> <td>1/1</td> <td>A0</td> </tr> </table>		WEIGHT	SHEET	REVISION	1.0g	1/1	A0								
ANGLAR	±5°																												
L ≤ 4	±0.2																												
4 < L ≤ 16	±0.3																												
16 < L ≤ 63	±0.4																												
L > 63	±0.5																												
WEIGHT	SHEET	REVISION																											
1.0g	1/1	A0																											
<table border="1"> <tr> <td>MARK</td> <td>DESCRIPTION</td> <td>DATE</td> <td>REVISED</td> <td>APPROVED</td> <td>UNSPECIFIED TOLERANCES</td> </tr> <tr> <td>ΔX</td> <td></td> <td></td> <td></td> <td></td> <td></td> </tr> <tr> <td>ΔX</td> <td></td> <td></td> <td></td> <td></td> <td></td> </tr> <tr> <td>ΔX</td> <td></td> <td></td> <td></td> <td></td> <td></td> </tr> </table>						MARK	DESCRIPTION	DATE	REVISED	APPROVED	UNSPECIFIED TOLERANCES	ΔX						ΔX						ΔX					
MARK	DESCRIPTION	DATE	REVISED	APPROVED	UNSPECIFIED TOLERANCES																								
ΔX																													
ΔX																													
ΔX																													
<p>REVISIONS</p> <p>www.xk-dg.cn www.helloxkb.com www.helloxkb.cn</p> <p>XKB INDUSTRIAL PRECISION CO., LIMITED</p>																													

单击下面可查看定价，库存，交付和生命周期等信息

[>>XKB Connectivity\(中国星坤\)](#)