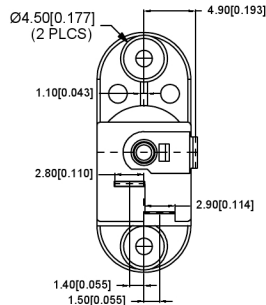
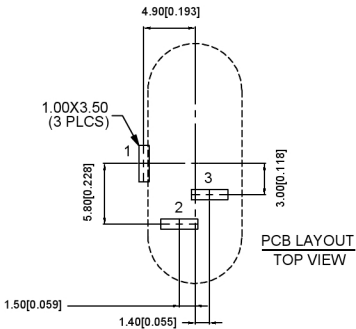


SCHEMATIC	
Model	DC-018-2.5A
Center Pin	Ø2.0 mm
	Ø2.5 mm



	MATERIAL	PLATING
center pin	Brass	tin
terminal 1	Brass	tin
terminal 2	Sus	tin
terminal 3	Brass	tin
plastic	Pbt	
Cover	Pf	

广东星坤科技股份有限公司

生	日期				
效					
Δ*					
MARK	DESCRIPTION	REVISIONS	DATE	REVISED	APPROVED
文件工程章					

www.xk-gf.cn www.helloxkb.com www.helloxkb.cn

ANGULAR	±5°
X.X	±0.2mm
X.XX	±0.1mm
X.XXX	±0.05mm

UNSPECIFIED TOLERANCES

DSND	DATE	SCALE: N/A	MODEL TYPE: DC POWER JACK
DWN	DATE	VIEW:	PART NO.:
CHKD	DATE	UNIT: mm/in	DWG NO.: DC-018-2.5A-2.0
APPD	DATE	SIZE: A4	
			WEIGHT 1.0g
			SHEET 1/1
			REVISION A0

YKD INDUSTRIAL PRECISION CO., LIMITED

单击下面可查看定价，库存，交付和生命周期等信息

[>>XKB Connectivity\(中国星坤\)](#)