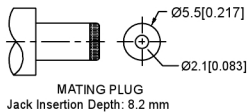
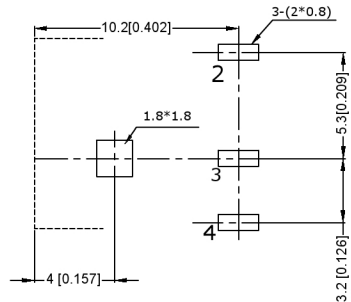


P.C.B LAYOUT  
TOP VIEW



SCHEMATIC	
Model	DC-0440-2.5A
Center Pin	Ø1.65 mm
	Ø2.0 mm
	Ø2.5 mm

	MATERIAL	PLATING
center pin	Brass	silver
terminal 1	Brass	silver
terminal 2	Phosphor Bronze	silver
terminal 3	Brass	silver
plastic	Pbt	

广东星坤科技股份有限公司

生	日
效	期
Δ	
Δ	
MARK	DESCRIPTION
文件工程	章

DSND		DATE		SCALE: N/A	MODEL TYPE: DC POWER JACK
DWN		DATE		VIEW:	PART NO.:
CHKD		DATE		UNIT: mm/in	DWG NO.:
APPD		DATE		SIZE: A4	DC-0440-2.5A-2.0
UNSPECIFIED TOLERANCES					WEIGHT
YKP INDUSTRIAL PRECISION CO., LIMITED					1.0g
					SHEET
					1/1
					REVISION
					A0

单击下面可查看定价，库存，交付和生命周期等信息

[>>XKB Connectivity\(中国星坤\)](#)