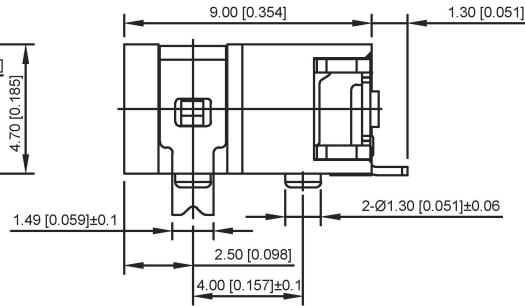
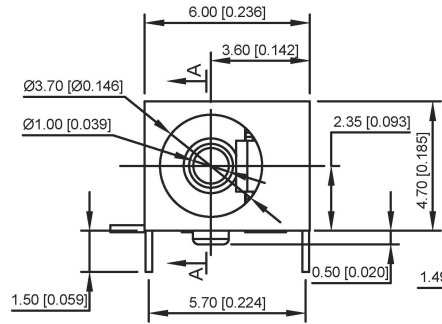
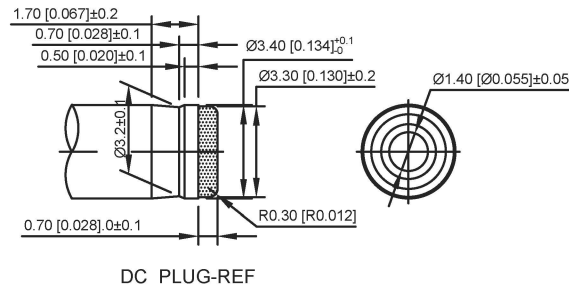
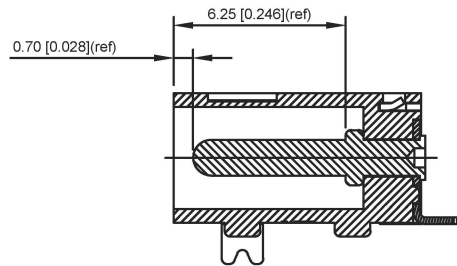


Recommend of PC Board Holes  
Tolerance : ±0.05(Printed-Top view)



SCHEMATIC	
Model	DC-045A
Center Pin	Ø1.0 mm



	MATERIAL	PLATING
center pin	Brass	Ni
plastic	Pa9t	
terminal 1	Brass	silver
terminal 2	Sus	silver
terminal 3	Brass	silver
terminal 4	Brass	silver

广东星坤科技股份有限公司

生	日期
發	日期
ΔX	
MARK	
文件工程章	

REVISIONS

www.xk-ug.cn www.helloxkb.com www.helloxkb.cn

UNSPECIFIED TOLERANCES

DSND	DATE	SCALE: N/A	MODEL TYPE: DC POWER JACK
DWN	DATE	VIEW:	PART NO.:
CHKD	DATE	UNIT: mm/in	DWG NO.:
APPD	DATE	SIZE: A4	DC-045A-1.0
KKB INDUSTRIAL PRECISION CO., LIMITED			WEIGHT 1.0g
			SHEET 1/1
			REVISION A0

单击下面可查看定价，库存，交付和生命周期等信息

[>>XKB Connectivity\(中国星坤\)](#)