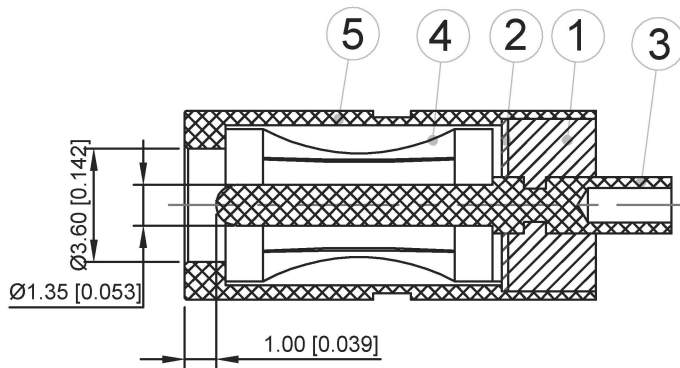


Technolo Request:

- 1.Outlook:
NO burr,no hurt.
- 2.Electronic performance:
a:Insulation resistance:
Above DC500V/100M Ω ;
b:Endure voltage:
AC500V at 1 minute;
c>Contact resistance:
Under 30M Ω ;
- 3.Insertion fore & withdrawal force;0.3-3kgf.
- 4.Salt spray test :24H.



	MATERIAL	PLATING
plastic	PA9T	Black
silicone pad		
terminal	C3604	NI
Spring	phosphor bronze	NI
Waterproof tube	C3604	NI

广东星坤科技股份有限公司

生 日期
發 日期

文件工程章

REVISIONS

www.xk-ig.cn www.helloxkb.com www.helloxkb.cn

ANGLAR $\pm 5^\circ$
L ≤ 4 ± 0.2
4 < L ≤ 16 ± 0.3
16 < L ≤ 63 ± 0.4
L > 63 ± 0.5

UNSPECIFIED TOLERANCES

DSND	DATE	SCALE: N/A	MODEL TYPE: DC-F1460
DWN	DATE	VIEW:	PART NO.:
CHKD	DATE	UNIT: mm/in	DWG NO.:
APPD	DATE	SIZE: A4	
XKB INDUSTRIAL PRECISION CO., LIMITED			WEIGHT 1.0g
			SHEET 1/1
			REVISION A0

单击下面可查看定价，库存，交付和生命周期等信息

[>>XKB Connectivity\(中国星坤\)](#)