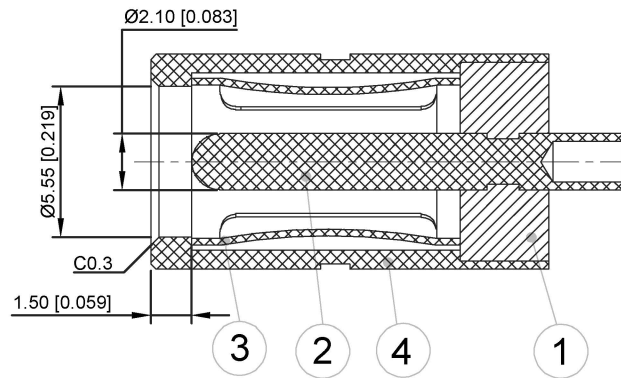


Technolo Request:

- 1.Outlook:
NO burr,no hurt.
- 2.Electronic performance:
 - a:Insulation resistance:
Above DC500V/100MΩ;
 - b:Endure voltage:
AC500V at 1 minute;
 - c>Contact resistance:
Under 30MΩ;
- 3.Insertion fore & withdrawal force;0.3-3kgf.
- 4.Salt spray test :24H.



| | MATERIAL | PLATING |
|-----------------|-----------------|---------|
| plastic | PBT | Black |
| terminal | C3604 | NI |
| Spring | phosphor bronze | NI |
| Waterproof tube | C3604 | NI |
| silicone pad | | |

广东星坤科技股份有限公司

| | |
|------|-----|
| 生 | 日期 |
| 發 | 日期 |
| ΔX | |
| MARK | |
| 文件 | 工程章 |

REVISIONS

www.xk-gg.cn www.helloxkb.com www.helloxkb.com

| | |
|-------------|------|
| ANGLAR | ±5° |
| L ≤ 4 | ±0.2 |
| 4 < L ≤ 16 | ±0.3 |
| 16 < L ≤ 63 | ±0.4 |
| L > 63 | ±0.5 |

UNSPECIFIED TOLERANCES

| | | | |
|---------------------------------------|------|-------------|-------------------------|
| DSND | DATE | SCALE: N/A | MODEL TYPE: DC-F2180 |
| DWN | DATE | VIEW: | PART NO.: |
| CHKD | DATE | UNIT: mm/in | DWG NO.: |
| APPD | DATE | SIZE: A4 | |
| KKB INDUSTRIAL PRECISION CO., LIMITED | | | WEIGHT 1.0g |
| | | | SHEET 1/1 |
| | | | REVISION A0 |

单击下面可查看定价，库存，交付和生命周期等信息

[>>XKB Connectivity\(中国星坤\)](#)