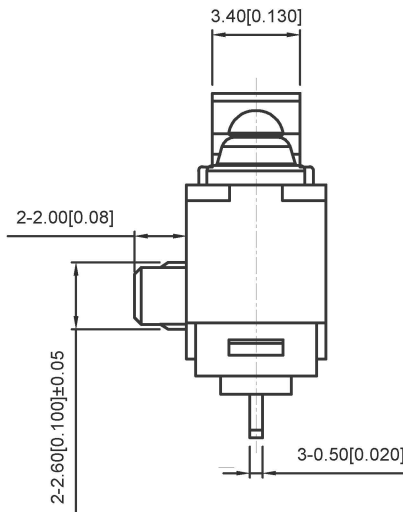
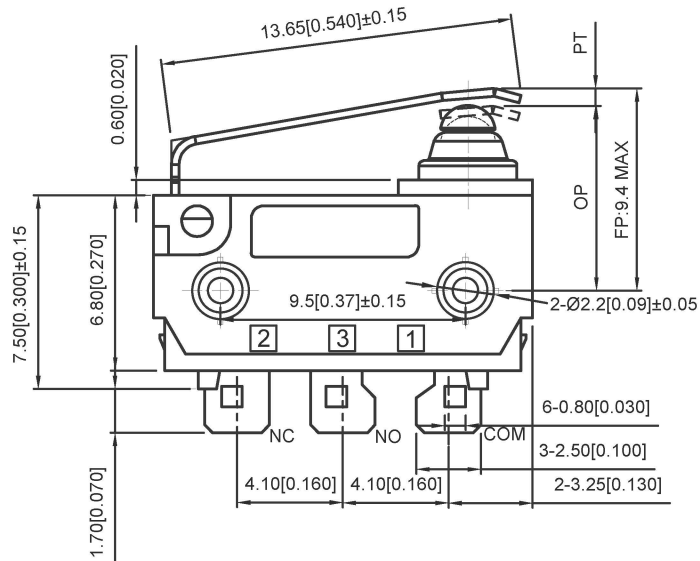
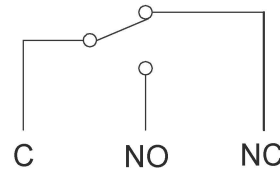


Circuit diagram



Technical Parameters

1. Electrical Rating: 0.1A 125/250VAC  
3A/12VDC; 0.1A/48VDC
2. Electrical lifetime: 100 000
3. Mechanical lifetime: 100 000
4. Contact Resistance: ≤50mΩ
5. Operating force: 2.2N MAX
6. Pretravel: 3.0mm MAX
7. Withstand Voltage: Feet and Feet 500V/5S/5mA  
Feet and Shell 1500/5S/5mA
8. Insulation Resistance: ≥100MΩ (Test Voltage 500VDC)
9. Proof Tracking Index (PTI): 175V
10. Ambient temperature: 40T85°
11. Operation Position: 7.1 ± 0.5

1	Rubber shell	PA66
2	seal ring	Silica gel
3	base	Brass+PA66
4	According to sincerity	POM
5	Contact moving plate	C5191+AgNi10
6	Strut	SUS301-H

Waterproof grade: IP67

广东星坤科技股份有限公司

生	日期
效	
效	
效	
MARK	文件工程章

units:	mm
tolerance:	
X.X	±0.2mm
X.XX	±0.1mm
X.XXX	±0.05mm
UNSPECIFIED TOLERANCES	

DSND		DATE		SCALE: N/A	MODEL TYPE: Microswitch
DWN		DATE		VIEW:	PART NO.:
CHKD		DATE		UNIT: mm/in	DWG NO.: DF1-1365UNZ-1
APPD		DATE		SIZE: A4	
KKB INDUSTRIAL PRECISION CO., LIMITED					WEIGHT: 1.0g
					SHEET: 1/1
					REVISION: A0

单击下面可查看定价，库存，交付和生命周期等信息

[>>XKB Connectivity\(中国星坤\)](#)