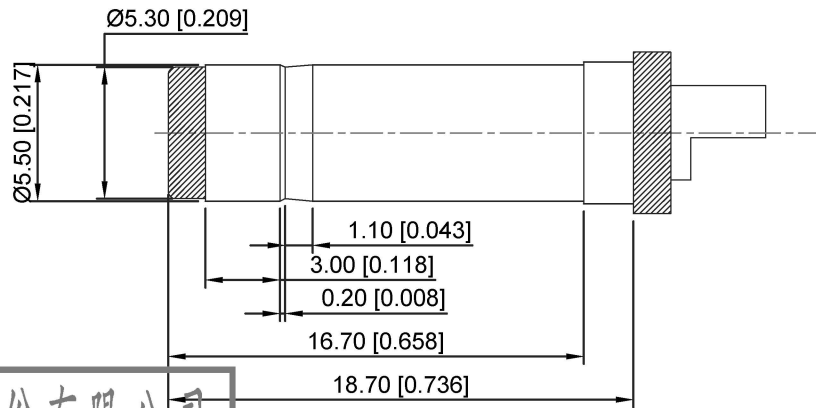
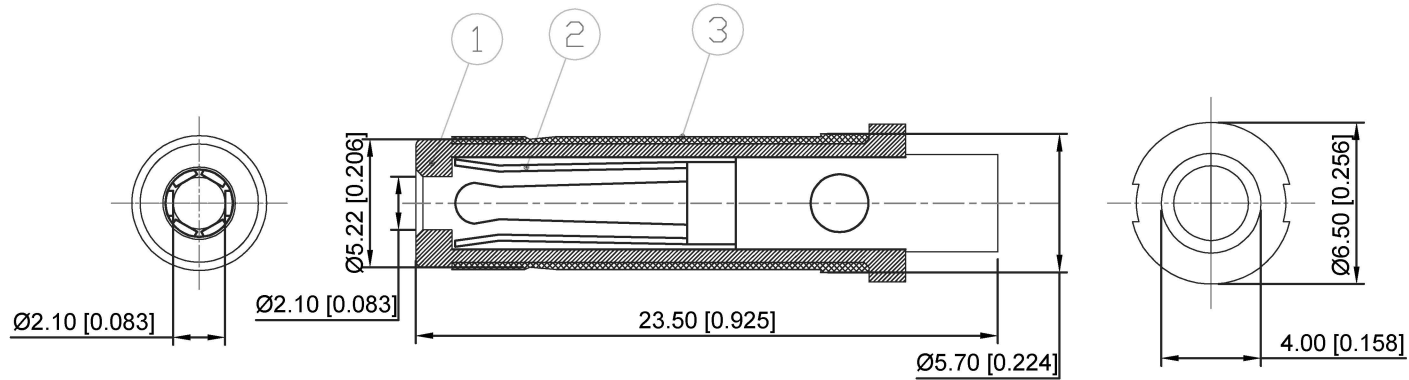


SPECIFICATIONS:

- 1.ELECTRICAL CHARACTERISTICS 1-1 RATING: DC24V6A
- 1-2. CONTACT RESISTANCE: 30m $\Omega$  MAX. (INITIAL)
- 1-3. DIELECTRIC WITHSTANDING VOLTAGE: 500V AC FOR ONE MINUTE
- 1-4. INSULATION RESISTANCE: 100M $\Omega$  MIN. MEASURED BY 50V DC
- 2. MECHANICAL CHARACTERISTICS:
  - 2-1. Plug it into the mother socket 3 times INSERTION FORCE: 0.3~3.0 KGF
  - 2-2. Plug it into the mother socket 5000 times INSERTION FORCE: 0.3~3.0 KGF
- 3. SALT FOG: 24 Hours
- 4. FOR REFLOW SOLDERING LEAD-FREE PROCESS.
- 5. \*REPRESENT CRITICAL DIMENSIONS.



	MATERIAL	PLATING
TERMINAL 1	Phosphor bronze	NI
Fork hook tube	H65	NI
plastic	PBT	Black

广东星坤科技股份有限公司

生	日期
發	日期
ΔX	
MARK	
文件工程章	

REVISIONS	DESCRIPTION	DATE	REVISED	APPROVED

ANGULAR	±5°
L ≤ 4	±0.2
4 < L ≤ 16	±0.3
16 < L ≤ 63	±0.4
L > 63	±0.5

UNSPECIFIED TOLERANCES

DSND	DATE	SCALE: N/A	MODEL TYPE: DC PLUG
DWN	DATE	VIEW:	PART NO.: DT-2355521
CHKD	DATE	UNIT: mm/in	DWG NO.:
APPD	DATE	SIZE: A4	
KKB INDUSTRIAL PRECISION CO., LIMITED			WEIGHT 1.0g
			SHEET 1/1
			REVISION A0

单击下面可查看定价，库存，交付和生命周期等信息

[>>XKB Connectivity\(中国星坤\)](#)