

SPECIFICATIONS:

1.ELECTRICAL CHARACTERISTICS:

1-1.RATING:DC 24V 8A

1-2 CONTACT RESISTANCE:30mΩ MAX(INMAL)

1-3DIELECTRIC WITHSTANDING VOLTAGE:500V AC FOR ONE MINUTE

1-4.INSULATION RESISTANCE:100MΩ MIN. MEASURED BY 500V DC

2.MECHANICAL CHARACTERISTICS:

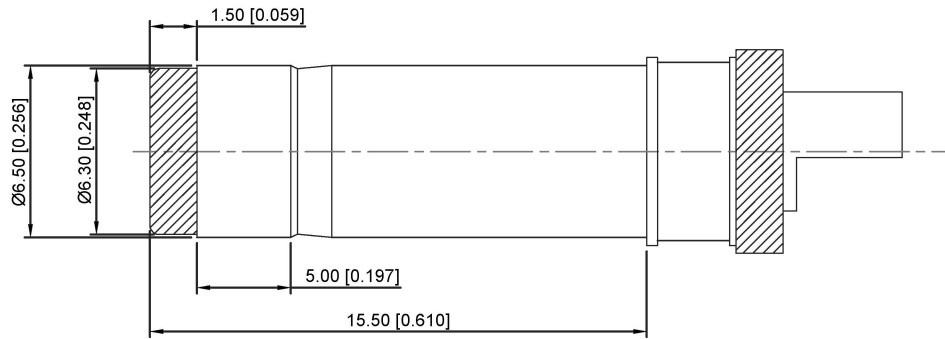
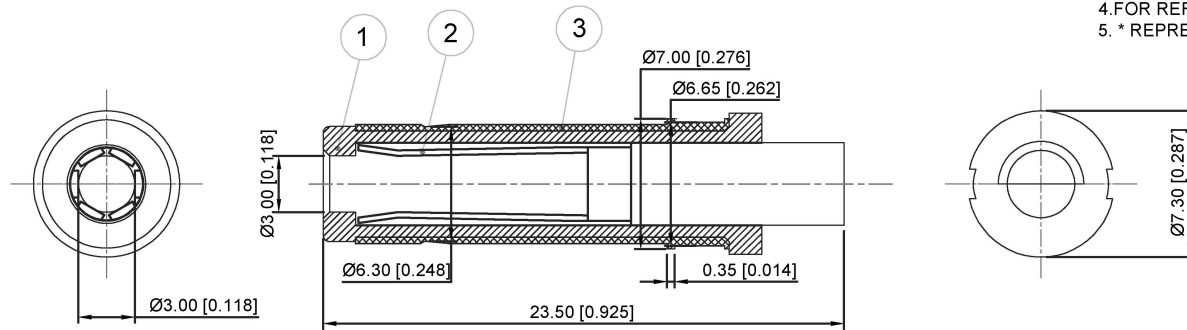
2-1.Plug into the mother socket 3 times INSERTION FORCE:0.3~3.0 KGF

2-2.Plug it into the mother socket 5000 times INSERTION FORCE:0.3~3.0 KGF

3.SALTFOG:24 Hours

4.FOR REFLOW SOLDERING LEAD-FREE PROCESS

5. * REPRESENT CRITICAL DIMENSIONS.



	MATERIAL	PLATING
TERMINAL 1	Phosphor bronze	NI
Fork hook tube	C3604	NI
plastic	PBT	Black

广东星坤科技股份有限公司

生 日期
發 日期

文件工程章

REVISIONS

www.xk-ig.cn www.helloxkb.com www.helloxkb.cn

ANGULAR ±5°
L ≤ 4 ±0.2
4 < L ≤ 16 ±0.3
16 < L ≤ 63 ±0.4
L > 63 ±0.5

UNSPECIFIED TOLERANCES

DSND
DWN
CHKD
APPD

DATE
DATE
DATE
DATE

SCALE: N/A
VIEW:
UNIT: mm/in
SIZE: A4

MODEL TYPE:
DC PLUG

PART NO.:
DT-2356530

DWG NO.:

KKB INDUSTRIAL PRECISION CO., LIMITED

WEIGHT	SHEET	REVISION
1.0g	1/1	A0

单击下面可查看定价，库存，交付和生命周期等信息

[>>XKB Connectivity\(中国星坤\)](#)