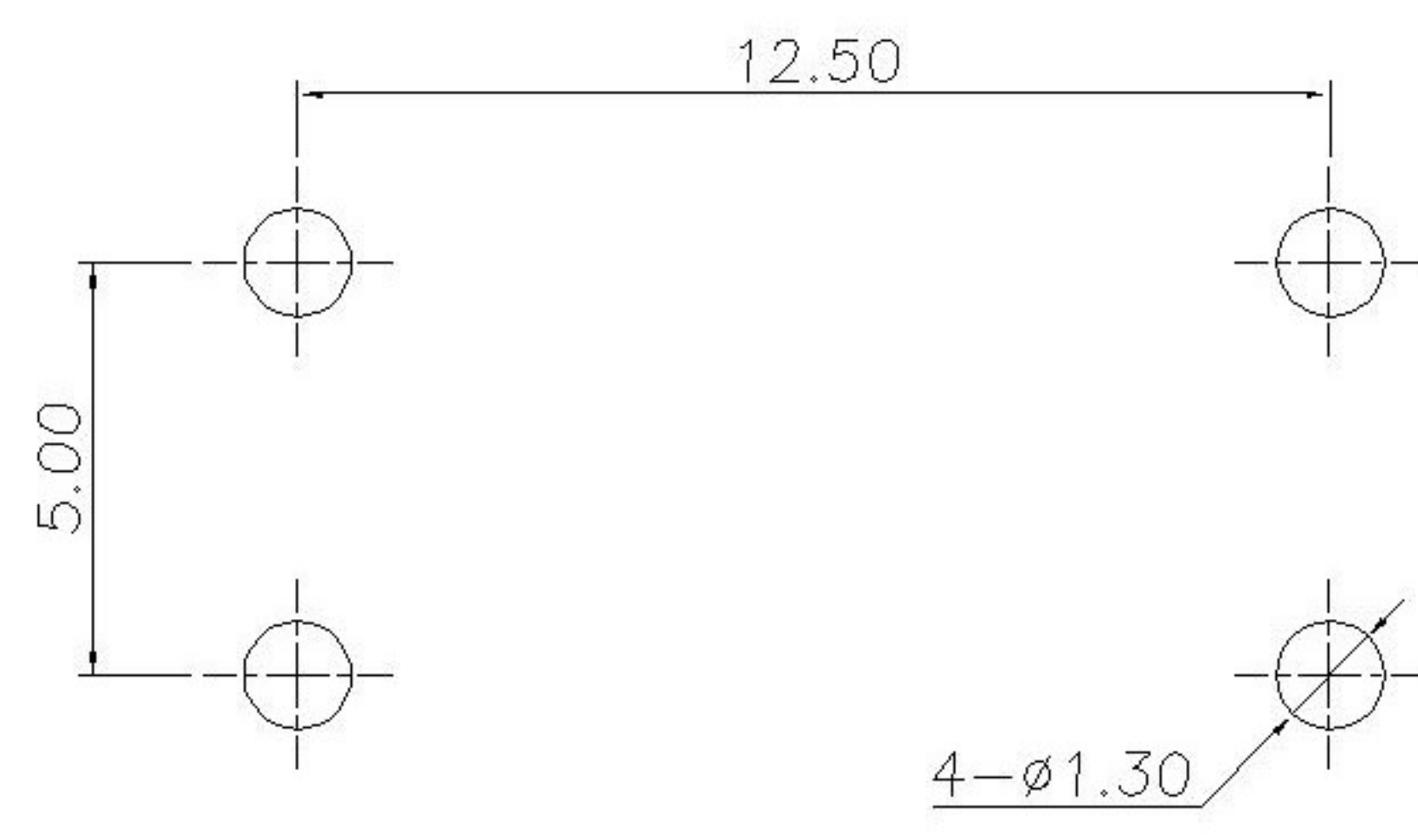
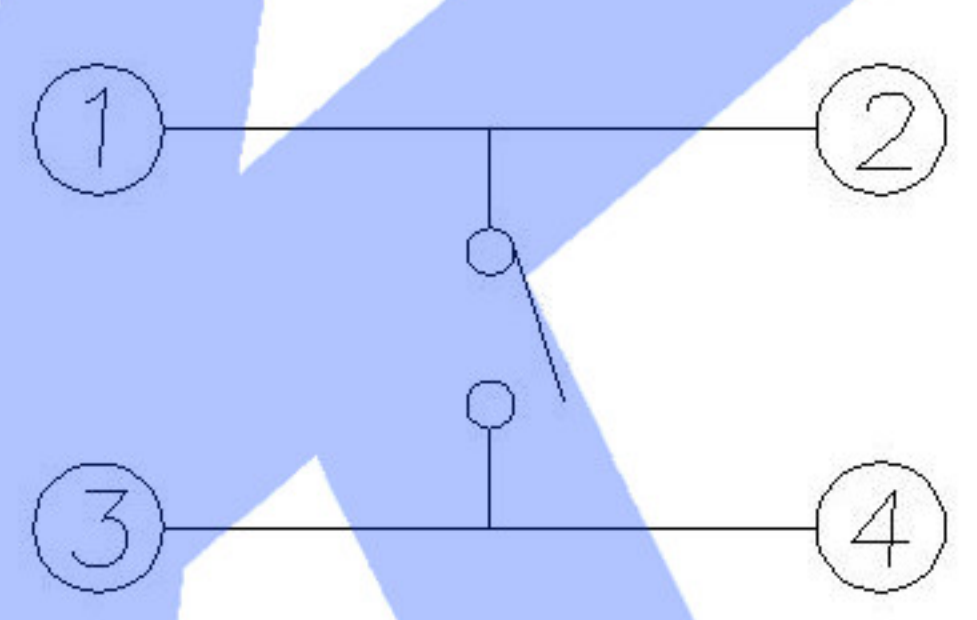


P.C.B Mounting pattern Dimension



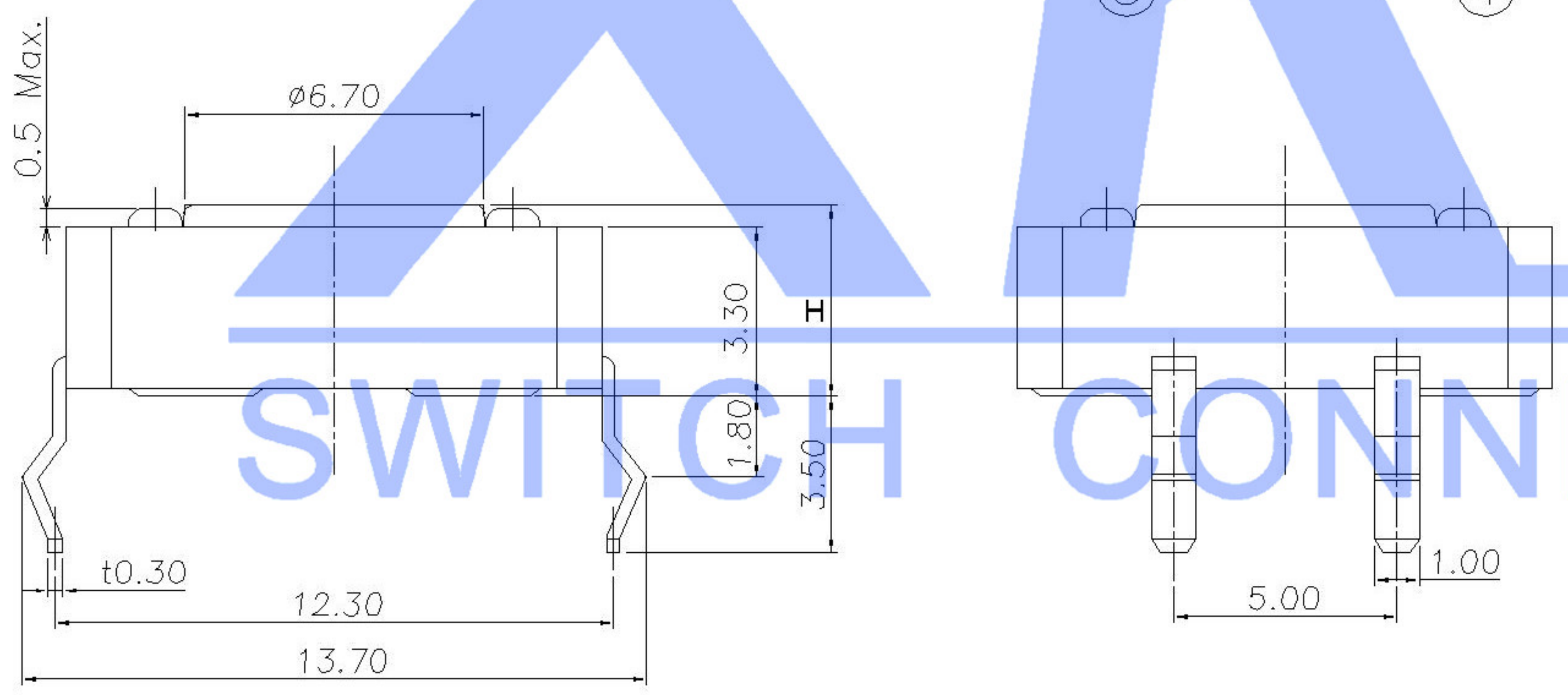
Circuit diagram



Code-X	H	Code-X	H
A	4.3	O	11.0
B	4.5	P	11.5
C	5.0	Q	12
D	5.5	R	12.5
E	6.0	S	13.0
F	6.5	T	13.5
G	7.0	U	14.0
H	7.5	V	15.0
I	8.0	W	16
J	8.5	X	17
K	9.0	Y	18
L	9.5	Z	19
M	10.0		
N	10.5		

SPECIFICATION

Contact Rating: 50mA, 12V DC
 Contact Resistance: 100mΩ max
 Insulation Resistance: 100mΩ min. 500V DC
 Dielectric Strength: 250V AC/1minute
 Travel: 0.25mm
 Operating Temp: -30°C ~ +85°C
 Storage Temp: -30°C ~ +80°C



PAPT NO	TC-1103-X-X
Operating Force	B: 160gf / C: 260gf
Height	Code-X

ITEM	PAPT NAMF	TER,NO	QTY	MATERIAL	FINISHING	REMARK
⑤	Terminal	—	4	Brass (0.30t)	Plating silvering	—
④	Contact	—	1	F.ag/Sus	Natural	—
③	Base	—	1	Pa46	—	—
②	Cover	—	1	Spcc	Plating Nickel	—
①	Keystake	—	1	Pa46	—	—

DSND		DATE		SCALE: N/A	MODEL TYPE: TACT SWITCH
DWN		DATE		VIEW:	PART NO.:
CHKD		DATE		UNIT: mm	DWG NO.: TC-1103-X-X
APPD		DATE		SIZE: A4	WEIGHT: 1.0g
				XKB INDUSTRIAL PRECISION CO., LIMITED	SHEET: 1/1
					REVISION: A0

MARK	DESCRIPTION	DATE	REVISED	APPROVED
ΔX				
ΔX				
ΔX				

units: mm
 tolerance:
 X.X ±0.2mm
 X.XX ±0.1mm
 X.XXX ±0.05mm

REVISIONS
 www.xk-dg.cn www.helloxkb.com www.helloxkb.cn

UNSPECIFIED TOLERANCES

单击下面可查看定价，库存，交付和生命周期等信息

[>>XKB Connectivity\(中国星坤\)](#)