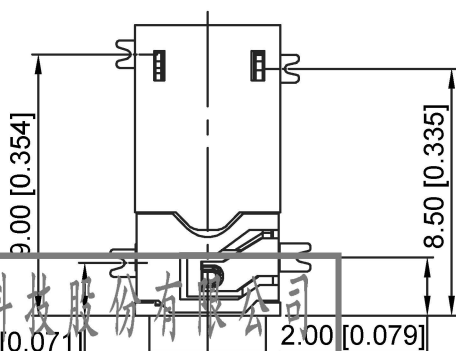
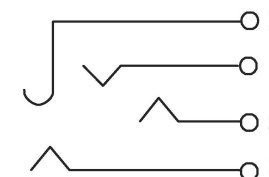
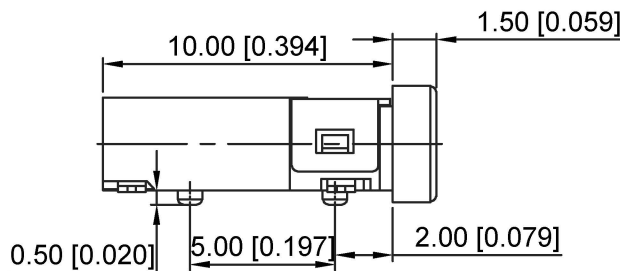
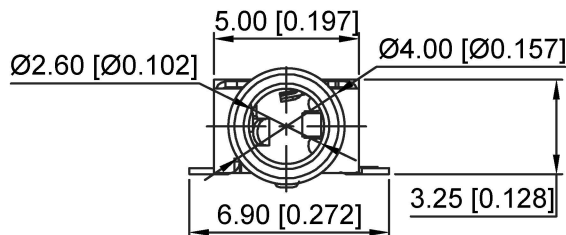


Ø2.5 MATING PLUG



	MATERIAL	PLATING
terminal 2	Phosphor Bronze	tin
terminal 3	Phosphor Bronze	tin
terminal 4	Phosphor Bronze	tin
terminal 5	Phosphor Bronze	tin
plastic	High Temp. Thermoplastic	

广东星坤科技股份有限公司

生	日期
救	
文件	工程
章	章

REVISION	DESCRIPTION	DATE	REVISED	APPROVED
ΔX				
ΔX				
MARK				

DSND	DATE	SCALE: N/A
DWN	DATE <td>VIEW: </td>	VIEW:
CHKD	DATE <td>UNIT: mm/in</td>	UNIT: mm/in
APPD	DATE <td>SIZE: A4</td>	SIZE: A4

MODEL TYPE:	2.5 PHONE JACK	
PART NO.:		
DWG NO.:	PJ-2342-SMT	
WEIGHT	SHEET	REVISION
1.0g	1/1	A0

单击下面可查看定价，库存，交付和生命周期等信息

[>>XKB Connectivity\(中国星坤\)](#)