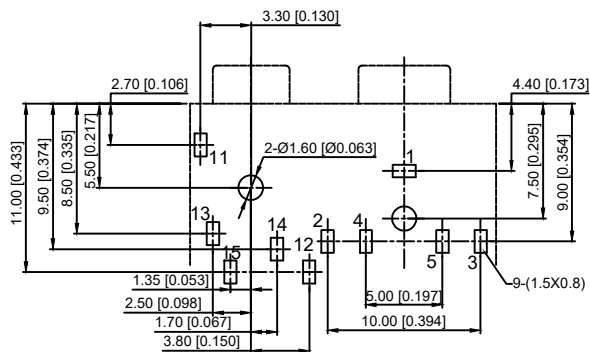
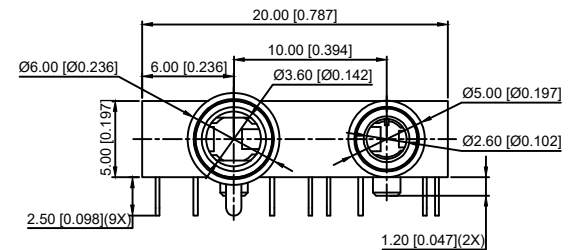
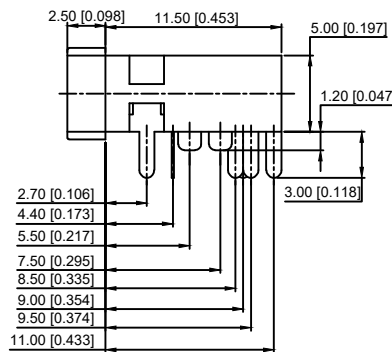


PJ-3057X-1

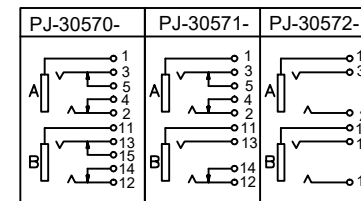


RECOMMENDED P.C.B. LAYOUT  
UNSPECIFIED TOLERANCE:±0.05  
(TOP VIEW)



Copper set  
PJ-3057X-2

SCHMATIC



	MATERIAL	PLATING
terminal 1	Phosphor Bronze	tin
terminal 2	Phosphor Bronze	tin
terminal 3	Phosphor Bronze	tin
terminal 4	Brass	tin
terminal 5	Brass	tin
plastic	Pbt	

	MATERIAL	PLATING
terminal 11	Phosphor Bronze	tin
terminal 12	Phosphor Bronze	tin
terminal 13	Phosphor Bronze	tin
terminal 14	Brass	tin
terminal 15	Brass	tin
plastic	Pbt	

					DSND	DATE	SCALE: N/A	MODEL TYPE: 3.5 PHONE JACK	
				ANGLAR		DATE	VIEW:	PART NO.:	
$\Delta X$				$L \leq 4$	$\pm 0.2$	DATE	UNIT: mm/in	DWG NO.:	
$\Delta X$				$4 < L \leq 16$	$\pm 0.3$	DATE	SIZE: A4	PJ-3057X-X	
$\Delta X$				$16 < L \leq 63$	$\pm 0.4$	DATE			
MARK	DESCRIPTION	DATE	REVISED	APPROVED	$L > 63$	DATE			
REVISIONS					UNSPECIFIED TOLERANCES	XKB INDUSTRIAL PRECISION CO., LIMITED			
www.xk-dg.cn www.helloxkb.com www.helloxkb.cn					WEIGHT			SHEET	REVISION
					1.0g			1/1	A0

单击下面可查看定价，库存，交付和生命周期等信息

[>>XKB Connectivity\(中国星坤\)](#)