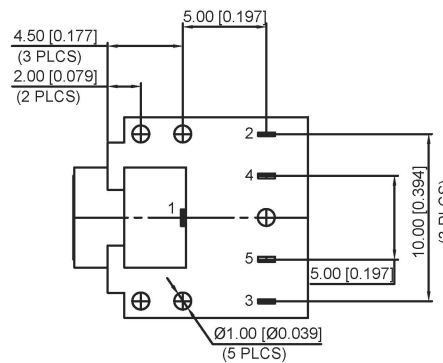
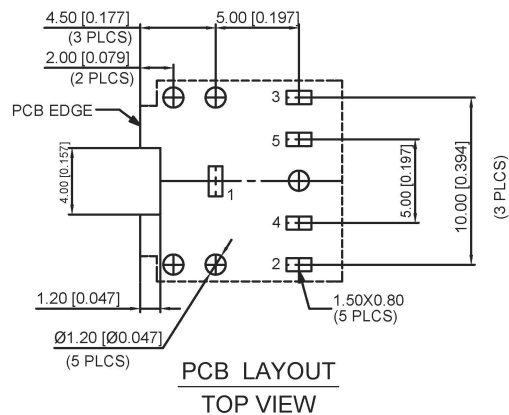


Ø3.5 MATING PLUG



| PIN | PJ-307G3 | PJ-307G4 | PJ-307G5 |
|-----------|----------|------------|-------------|
| Schematic | | | |
| PIN | | | |
| 1 | sleeve | sleeve | sleeve |
| 2 | tip | tip | tip |
| 3 | ring | ring | ring |
| 4 | NP | tip switch | tip switch |
| 5 | NP | NP | ring switch |

| | MATERIAL | PLATING |
|------------|-----------------|---------|
| terminal 1 | Phosphor Bronze | tin |
| terminal 2 | Phosphor Bronze | tin |
| terminal 3 | Phosphor Bronze | tin |
| terminal 4 | Brass | tin |
| terminal 5 | Brass | tin |
| plastic | Pbt | |

广东星坤科技股份有限公司

生效日期

| MARK | DESCRIPTION | DATE | REVISED | APPROVED | REVISIONS |
|------|-------------|------|---------|----------|-----------|
| | | | | | |

文件工程章

www.helloxkb.com www.helloxkb.com www.helloxkb.com

| DSND | DATE | SCALE: N/A | MODEL TYPE: |
|---------------------------------------|------|-------------|-----------------------|
| DWN | DATE | VIEW: | 3.5 PHONE JACK |
| CHKD | DATE | UNIT: mm/in | PART NO.: |
| APPD | DATE | SIZE: A4 | DWG NO.: PJ-307GX |
| XKB INDUSTRIAL PRECISION CO., LIMITED | | | WEIGHT SHEET REVISION |
| | | | 1.0g 1/1 A0 |

单击下面可查看定价，库存，交付和生命周期等信息

[>>XKB Connectivity\(中国星坤\)](#)