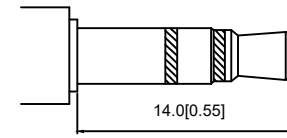
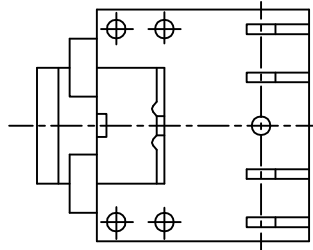
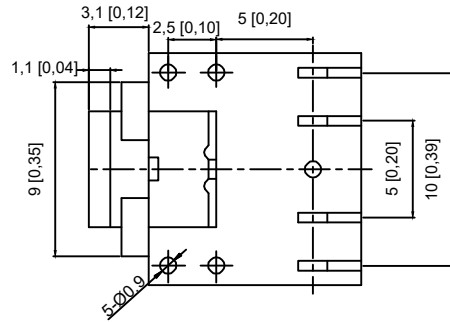


PCB LAYOUT TOP VIEW



Ø 3.5 MATING PLUG

Model No.	PJ-307N3	PJ-307N4	PJ-307N5
Schematic			
PIN			
1	sleeve	sleeve	sleeve
2	tip	tip	tip
3	ring	ring	ring
4	NP	tip switch	tip switch
5	NP	NP	ring switch

	MATERIAL	PLATING
terminal 1	Phosphor Bronze	tin
terminal 2	Phosphor Bronze	tin
terminal 3	Phosphor Bronze	tin
terminal 4	Brass	tin
terminal 5	Brass	tin
plastic	Pbt	

MARK	DESCRIPTION	DATE	REVISED	APPROVED	UNSPECIFIED TOLERANCES
ΔX					ANGULAR ±5°
ΔX					X.X ±0.2mm
ΔX					X.XX ±0.1mm
ΔX					X.XXX ±0.05mm

DSND		DATE	SCALE: N/A	MODEL TYPE: 3.5 PHONE JACK
DWN		DATE	VIEW:	PART NO.:
CHKD		DATE	UNIT: mm/in	DWG NO.: PJ-307NX
APPD		DATE	SIZE: A4	WEIGHT SHEET REVISION 1.0g 1/1 A0
XKB INDUSTRIAL PRECISION CO., LIMITED				

单击下面可查看定价，库存，交付和生命周期等信息

[>>XKB Connectivity\(中国星坤\)](#)