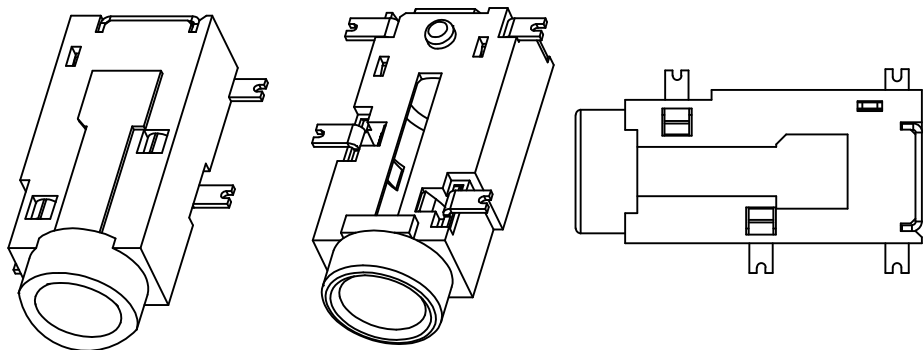
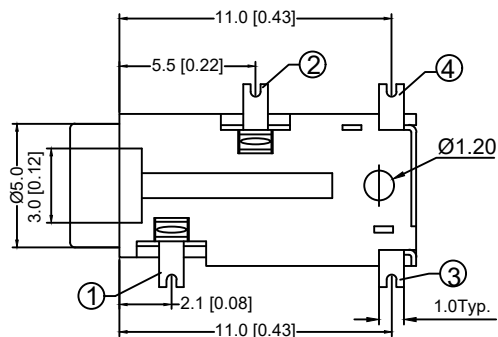
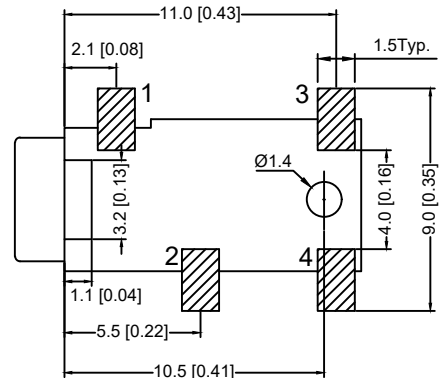
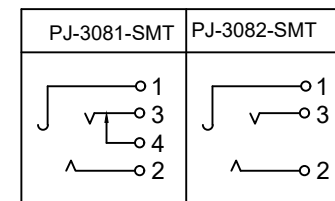


P.C.B LAYOUT
TOP VIEW



- SPECIFICATION**
- 1.Rating : DC 30V 0.5A;
 - 2.Contact resistance: $\leq 0.03\Omega$;
 - 3.Insulation resistance: $\geq 100M\Omega$ (DC250V);
 - 4.Withstand voltage: 500VAC ;
 - 5.Insertion and extraction force: 3-20N;
 - 6.life test: 5,000 cycles.

SCHEMATIC



		MATERIAL	PLATING
5	HOUSING	1 PA9T	
4	4# CONTACT FOOT	1 BRASS	Ag-Plating
3	3# CONTACT FOOT	1 BRONZE	Ag-Plating
2	2# CONTACT FOOT	1 BRONZE	Ag-Plating
1	1# CONTACT FOOT	1 BRONZE	Ag-Plating

REVISIONS					UNSPECIFIED TOLERANCES	DSND	DATE	SCALE: N/A	MODEL TYPE: 3.5 PHONE JACK		
ΔX					ANGULAR			VIEW:	PART NO.:		
						DWN	DATE	UNIT: mm/in	DWG NO.: PJ-308X-SMT		
						CHKD	DATE	SIZE: A4			
						APPD	DATE				
www.xk-dg.cn www.helloxkb.com www.helloxkb.cn						XKB INDUSTRIAL PRECISION CO.,LIMITED			WEIGHT 1.0g	SHEET 1/1	REVISION A0

单击下面可查看定价，库存，交付和生命周期等信息

[>>XKB Connectivity\(中国星坤\)](#)