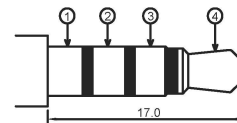
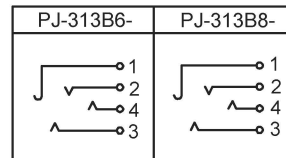
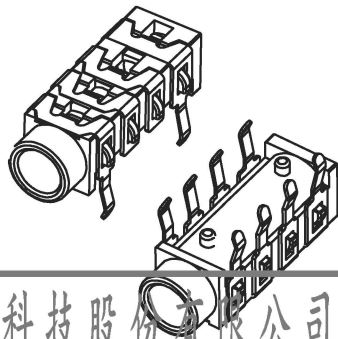


PJ-313B8-



color B:Black Y: Yellow  
G: Green

|            | MATERIAL        | PLATING |
|------------|-----------------|---------|
| terminal 1 | Phosphor Bronze | tin     |
| terminal 2 | Phosphor Bronze | tin     |
| terminal 3 | Phosphor Bronze | tin     |
| terminal 4 | Phosphor Bronze | tin     |
| plastic    | Pbt             |         |

广东星坤科技股份有限公司

生效日期

MARK DESCRIPTION

文件工程章

REVISIONS

www.helloxkb.com www.helloxkb.com www.helloxkb.com

DATE REVISED APPROVED

UNSPECIFIED TOLERANCES

ANGLAR ±5°  
L ≤ 4 ±0.2  
4 < L ≤ 16 ±0.3  
16 < L ≤ 63 ±0.4  
L > 63 ±0.5

|                                       |  |      |  |             |                               |
|---------------------------------------|--|------|--|-------------|-------------------------------|
| DSND                                  |  | DATE |  | SCALE: N/A  | MODEL TYPE:<br>3.5 PHONE JACK |
| DWN                                   |  | DATE |  | VIEW:       | PART NO.:                     |
| CHKD                                  |  | DATE |  | UNIT: mm/in | DWG NO.:                      |
| APPD                                  |  | DATE |  | SIZE: A4    | PJ-313BX-X                    |
| XKB INDUSTRIAL PRECISION CO., LIMITED |  |      |  | WEIGHT      | SHEET                         |
|                                       |  |      |  | 1.0g        | 1/1                           |
|                                       |  |      |  | REVISION    | A0                            |

单击下面可查看定价，库存，交付和生命周期等信息

[>>XKB Connectivity\(中国星坤\)](#)