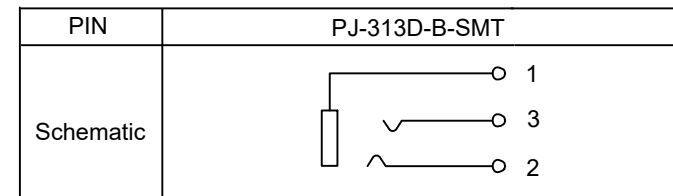
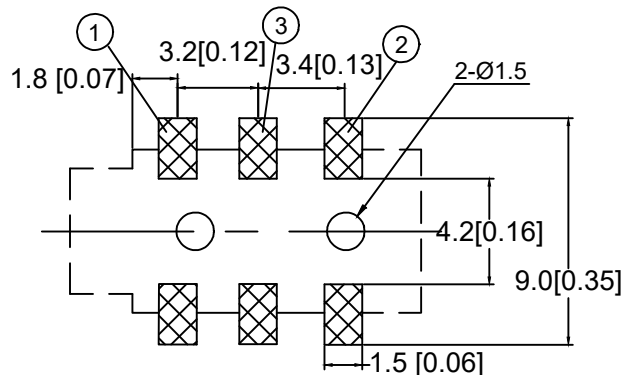
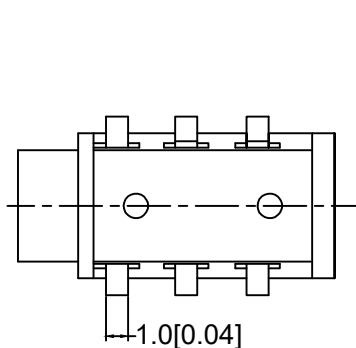


Specifications:
 Voltage rating:30V AC/DC
 Current rating:0.5A AC/DC
 Withstanding voltage:500V AC/minute
 Temperature range:-40°~+55
 Insulation resistance:≥100MΩ
 Contact resistance:≤30mΩ
 After environmental testing:≤20mΩ
 Operating Life(Cycles):5000
 Mating Force:3-20N



	MATERIAL	PLATING
terminal 1	Phosphor Bronze	ag
terminal 2	Phosphor Bronze	ag
terminal 3	Phosphor Bronze	ag
plastic	PA	

DSND		DATE		SCALE: N/A	MODEL TYPE: 3.5 PHONE JACK			
DWN		DATE		VIEW:	PART NO.:			
CHKD		DATE		UNIT: mm/in	DWG NO.: PJ-308X-SMT			
APPD		DATE		SIZE: A4				
UNSPECIFIED TOLERANCES					WEIGHT	SHEET	REVISION	
www.xk-dg.cn www.helloxkb.com www.helloxkb.cn					XKB INDUSTRIAL PRECISION CO.,LIMITED	1.0g	1/1	A0

MARK	DESCRIPTION	DATE	REVISED	APPROVED	ANGLAR	±5°
ΔX					X.X	±0.2mm
ΔX					X.XX	±0.1mm
ΔX					X.XXX	±0.05mm

单击下面可查看定价，库存，交付和生命周期等信息

[>>XKB Connectivity\(中国星坤\)](#)