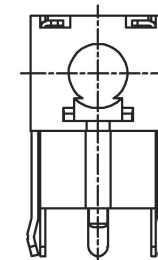
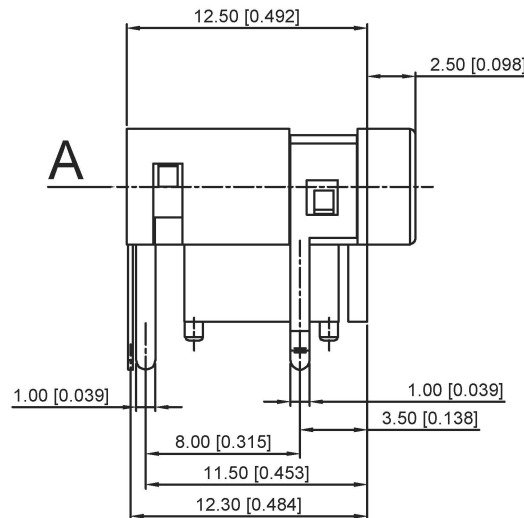
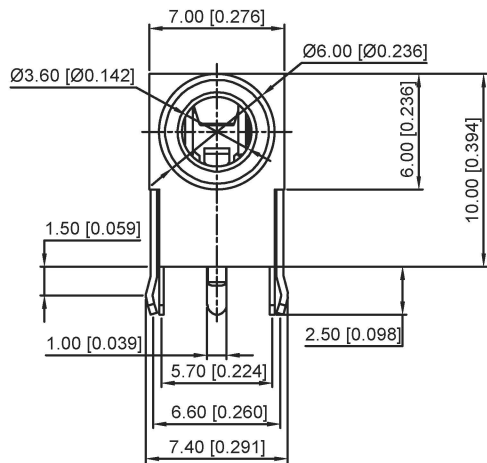


A向视图



color	B:Black R:Red G:Green Y:Yellow BL:Blue
-------	---

	MATERIAL	PLATING
terminal 1	Phosphor Bronze	tin
terminal 2	Phosphor Bronze	tin
terminal 3	Phosphor Bronze	tin
terminal 4	Phosphor Bronze	tin
plastic	Pbt	

广东星坤科技股份有限公司

生效日期

文件工程章

日期

MARK	DESCRIPTION	DATE	REVISED	APPROVED	UNSPECIFIED TOLERANCES
					ANGLAR ±5°
					L ≤ 4 ±0.2
					4 < L ≤ 16 ±0.3
					16 < L ≤ 63 ±0.4
					L > 63 ±0.5

DSND	DATE	SCALE	MODEL TYPE
DWN	DATE	N/A	3.5 PHONE JACK
CHKD	DATE	UNIT	PART NO.
APPD	DATE <td>mm/in</td> <td></td>	mm/in	
DATE	SIZE	DWG NO.	REVISION
	A4	PJ-322A-X	
WEIGHT	SHEET	REVISION	
1.0g	1/1	A0	

www.helloxkb.com www.helloxkb.com www.helloxkb.com

XKB INDUSTRIAL PRECISION CO., LIMITED

单击下面可查看定价，库存，交付和生命周期等信息

[>>XKB Connectivity\(中国星坤\)](#)