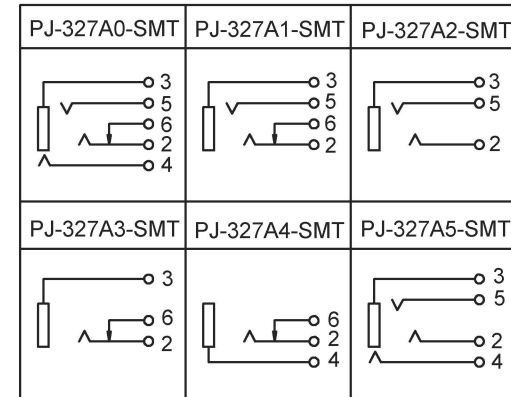
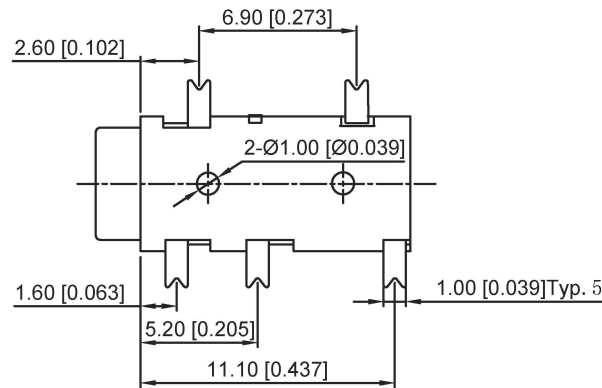
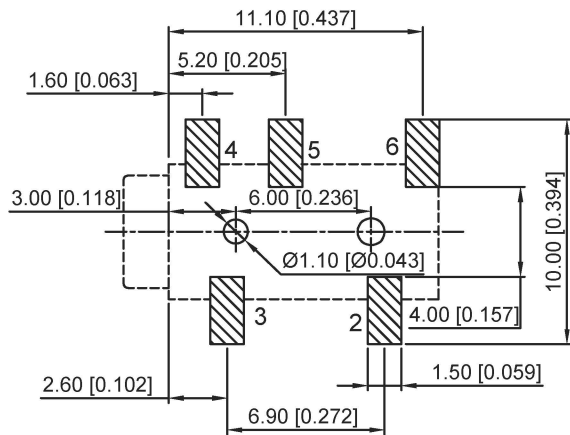


P.C.B LAYOUT
TOP VIEW



	MATERIAL	PLATING
terminal 2	Phosphor Bronze	Gold
terminal 3	Phosphor Bronze	Gold
terminal 4	Phosphor Bronze	Gold
terminal 5	Phosphor Bronze	Gold
terminal 6	Phosphor Bronze	Gold
plastic	High Temp. Thermoplastic	

广东星坤科技股份有限公司

生效日期

MARK	DESCRIPTION	DATE	REVISED	APPROVED	REVISIONS

文件工程章

DSND		DATE	SCALE: N/A	MODEL TYPE: 3.5 PHONE JACK
DWN		DATE	VIEW:	PART NO.:
CHKD		DATE	UNIT: mm/in	DWG NO.: PJ-327AX-SMT
APPD		DATE	SIZE: A4	
XKB INDUSTRIAL PRECISION CO., LIMITED				WEIGHT 1.0g
				SHEET 1/1
				REVISION A0

单击下面可查看定价，库存，交付和生命周期等信息

[>>XKB Connectivity\(中国星坤\)](#)