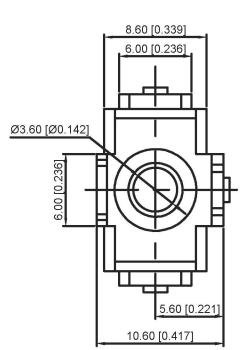
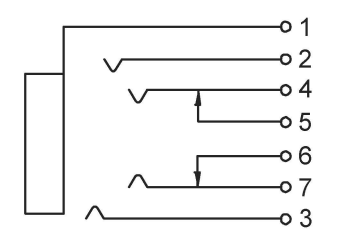
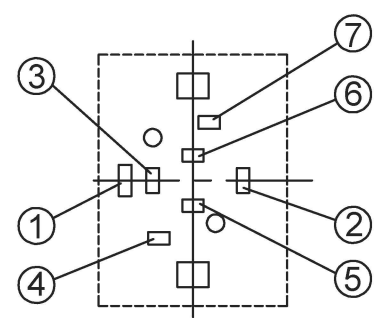


Copper set
PJ-3340-2



PJ-3340-1



	MATERIAL	PLATING
terminal 1	Phosphor Bronze	tin
terminal 2	Phosphor Bronze	tin
terminal 3	Phosphor Bronze	tin
terminal 4	Phosphor Bronze	tin
terminal 5	Brass	tin
terminal 6	Brass	tin
terminal 7	Phosphor Bronze	tin
plastic	Pbt	

广东星坤科技股份有限公司

生效日期

文件工程章

MARK	DESCRIPTION	DATE	REVISED	APPROVED	UNSPECIFIED TOLERANCES	DSND	DATE	SCALE: N/A	MODEL TYPE: 3.5 PHONE JACK
					ANGLAR ±5°	DWN	DATE	VIEW:	PART NO.:
					L ≤ 4 ±0.2	CHKD	DATE	UNIT: mm/in	DWG NO.:
					4 < L ≤ 16 ±0.3	APPD	DATE	SIZE: A4	PJ-3340-X
					16 < L ≤ 63 ±0.4				WEIGHT
					L > 63 ±0.5				1.0g
									SHEET
									1/1
									REVISION
									A0

XKB INDUSTRIAL PRECISION CO., LIMITED

单击下面可查看定价，库存，交付和生命周期等信息

[>>XKB Connectivity\(中国星坤\)](#)