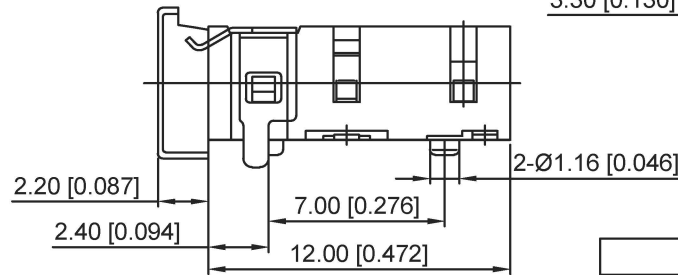
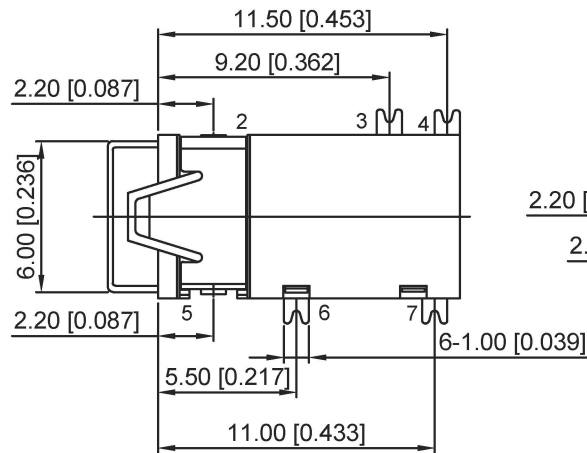
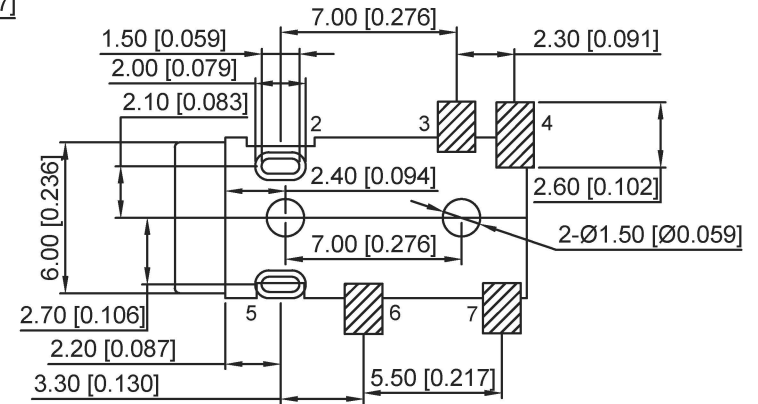


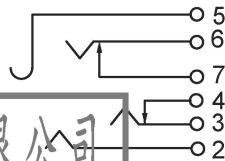
PCB.
TOP VIEW



PJ-342CB-TX-SMT

G:Gold plating
S:Silver plating

	MATERIAL	PLATING
terminal 2	Phosphor Bronze	Gold
terminal 3	Phosphor Bronze	Gold
terminal 4	Phosphor Bronze	Gold
terminal 5	Phosphor Bronze	Gold
terminal 6	Phosphor Bronze	Gold
terminal 7	Phosphor Bronze	Gold
plastic	High Temp. Thermoplastic	



广东星坤科技股份有限公司

生效日期

文件工程章

日期

REVISIONS

www.helloxkb.com www.helloxkb.com www.helloxkb.com

ANGLAR	±5°
L ≤ 4	±0.2
4 < L ≤ 16	±0.3
16 < L ≤ 63	±0.4
L > 63	±0.5

UNSPECIFIED TOLERANCES

DSND	DATE	SCALE: N/A	MODEL TYPE:
DWN	DATE	VIEW:	3.5 PHONE JACK
CHKD	DATE	UNIT: mm/in	PART NO.:
APPD	DATE	SIZE: A4	DWG NO.:
XKB INDUSTRIAL PRECISION CO., LIMITED			PJ-342CB-TX-SMT
WEIGHT	SHEET	REVISION	
1.0g	1/1	A0	

单击下面可查看定价，库存，交付和生命周期等信息

[>>XKB Connectivity\(中国星坤\)](#)