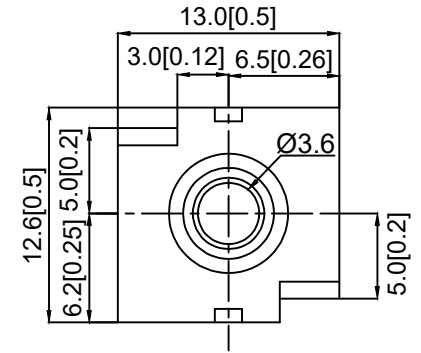
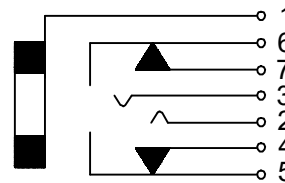
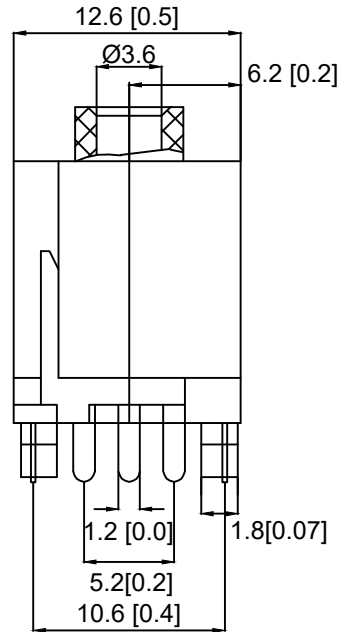
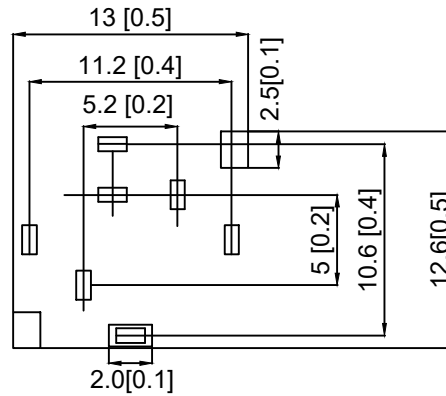
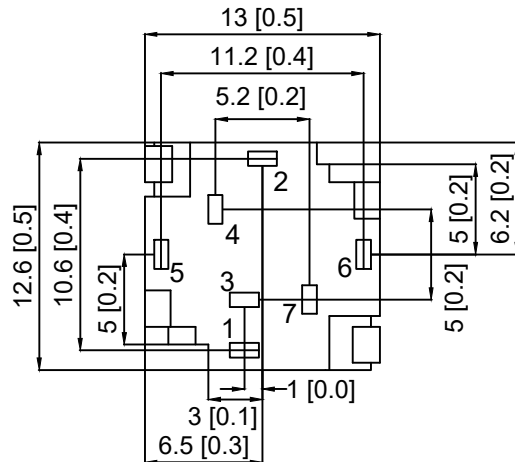


PJ-3440-1



PJ-3440-2
copper sleeve



PCB LAYOUT

	MATERIAL	PLATING
terminal 1	Phosphor Bronze	tin
terminal 2	Phosphor Bronze	tin
terminal 3	Phosphor Bronze	tin
terminal 4	Brass	tin
terminal 5	Phosphor Bronze	tin
terminal 6	Phosphor Bronze	tin
terminal 7	Brass	tin
plastic	Pbt	

					ANGLAR	±5°	DSND		DATE	SCALE: N/A	MODEL TYPE:		
ΔX					X.X	±0.2mm	DWN		DATE	VIEW:	3.5 PHONE JACK		
ΔX					X.XX	±0.1mm	CHKD		DATE	UNIT: mm/in	PART NO.:		
ΔX					X.XXX	±0.05mm	APPD		DATE	SIZE: A4	DWG NO.:		
MARK	DESCRIPTION	DATE	REVISED	APPROVED	UNSPECIFIED TOLERANCES		XKB INDUSTRIAL PRECISION CO., LIMITED				DWG NO.:		
											PJ-3440-X		
											WEIGHT	SHEET	REVISION
											1.0g	1/1	A0

单击下面可查看定价，库存，交付和生命周期等信息

[>>XKB Connectivity\(中国星坤\)](#)