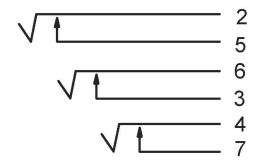
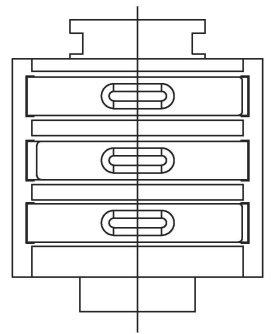
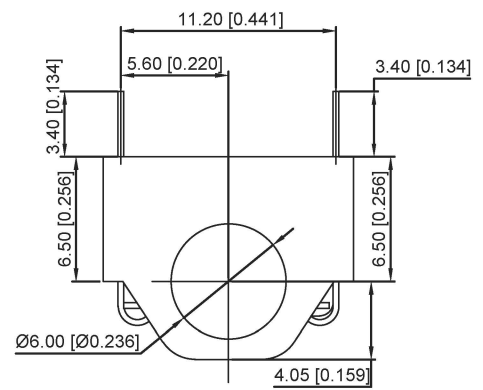
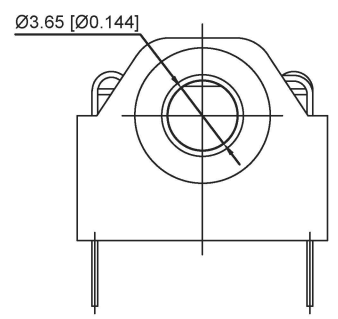


P.C.B LAYOUT
TOP VIEW

Rated electrical load: DC30v/0.5A
 Contact resistance: ≤ 0.03 Ω
 Insulation resistance: ≥ 100m Ω
 Withstand voltage: Ac500V (50 Hz) / min
 Insertion and extraction force: 3-20N
 Service temperature range: - 30-70 °C
 Service life: 5000 times



Schematic



| | MATERIAL | PLATING |
|------------|--------------------|---------|
| terminal 7 | Phosphorous copper | Gold |
| terminal 6 | Phosphorous copper | Gold |
| terminal 5 | Phosphorous copper | Gold |
| terminal 4 | Phosphorous copper | Gold |
| terminal 3 | Phosphorous copper | Gold |
| terminal 2 | Phosphorous copper | Gold |
| plastic 1 | PC | |

广东星坤科技股份有限公司

| | |
|------|-----|
| 生 | 日期 |
| 發 | 日期 |
| ΔX | |
| MARK | |
| 文件 | 工程章 |

| REVISIONS | DATE | REVISED | APPROVED | UNSPECIFIED TOLERANCES |
|-------------|------|---------|----------|------------------------|
| ANGLAR | | | | ±5° |
| L ≤ 4 | | | | ±0.2 |
| 4 < L ≤ 16 | | | | ±0.3 |
| 16 < L ≤ 63 | | | | ±0.4 |
| L > 63 | | | | ±0.5 |

| | | |
|---------------------------------------|------|-------------|
| DSND | DATE | SCALE: N/A |
| DWN | DATE | VIEW: |
| CHKD | DATE | UNIT: mm/in |
| APPD | DATE | SIZE: A4 |
| KKB INDUSTRIAL PRECISION CO., LIMITED | | |

| | | |
|-------------|----------------|----------|
| MODEL TYPE: | 3.5 PHONE JACK | |
| PART NO.: | | |
| DWG NO.: | PJ-H395 | |
| WEIGHT | SHEET | REVISION |
| 1.0g | 1/1 | A0 |

单击下面可查看定价，库存，交付和生命周期等信息

[>>XKB Connectivity\(中国星坤\)](#)