

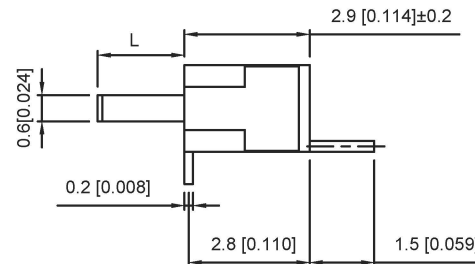
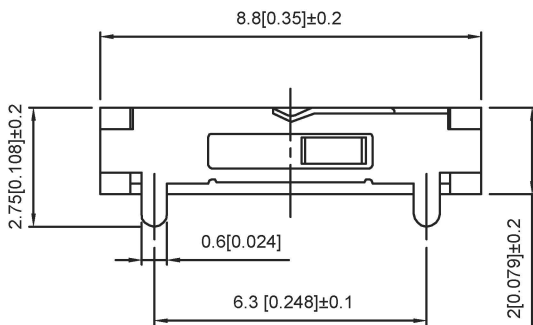
Circuit Diagram

PCB Layout(Pattern side)

NOTE:

Rating: DC 12V 50mA  
 Operating Force: 200±100gf  
 Lifetime: 10,000 Cycles

PAPT NO	L
SK-3270SA-L1	2.0
SK-3270SA-L2	3.0
SK-3270SA-L3	4.0



ITEM	PAPT NAME	TER,NO	QTY	MATERIAL	FINISHING	REMARK
5	Terminal	3	Brass (0.30t)	ag Plated		
4	Contact spring	1	Phosphor branze	ag Plated		
3	Base	1	Lcp	Black		
2	Cover	1	Sus	Natural		
1	Keystake	1	Pa46	Black		

广东星坤科技股份有限公司

生	日期
ΔX	
ΔX	
ΔX	
MARK	

文件工程章

DESCRIPTION	DATE	REVISED	APPROVED	UNSPECIFIED TOLERANCES

DSND	DATE	SCALE: N/A
DWN	DATE	VIEW:
CHKD	DATE	UNIT: mm/in
APPD	DATE	SIZE: A4

MODEL TYPE:	WEIGHT	SHEET	REVISION
SLIDE SWITCH	1.0g	1/1	A0

XKB INDUSTRIAL PRECISION CO., LIMITED

单击下面可查看定价，库存，交付和生命周期等信息

[>>XKB Connectivity\(中国星坤\)](#)