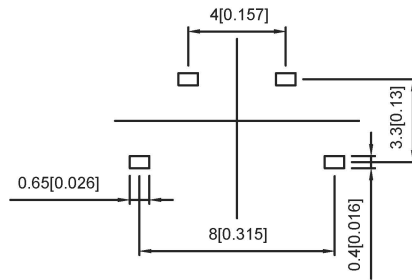
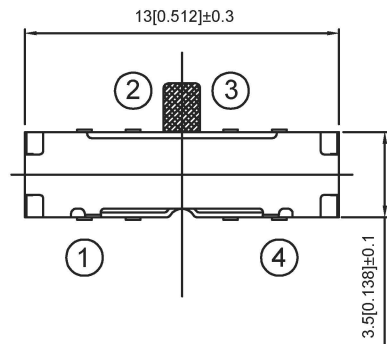
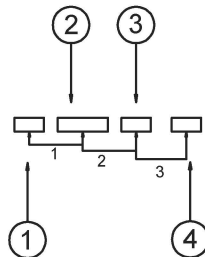


NOTE:  
 Rating: DC 12V 50mA  
 Operating  
 Force: 200±100gf  
 Lifetime: 10,000 Cycles



PAPT NO	L
SK-3346D-01-L1	2.0
SK-3346D-01-L2	3.0
SK-3346D-01-L3	4.0

ITEM	PAPT NAME	TER.NO	QTY	MATERIAL	FINISHING	REMARK
4	Terminal	—	2	Phosphor branze	ag Plated	
3	Base	—	1	PPA	Black	
2	Cover	—	1	Sus	Natural	
1	Keystake	—	1	Pa46	Black	



广东星坤科技股份有限公司

生	日期
效	日期
文件	工程
MARK	章

DATE	REVISED	APPROVED	UNSPECIFIED TOLERANCES

DSND		DATE		SCALE: N/A	MODEL TYPE: SLIDE SWITCH
DWN		DATE		VIEW:	PART NO.:
CHKD		DATE		UNIT: mm/in	DWG NO.: SK-3346D-01-X
APPD		DATE		SIZE: A4	
XKB INDUSTRIAL PRECISION CO., LIMITED					WEIGHT 1.0g
					SHEET 1/1
					REVISION A0

单击下面可查看定价，库存，交付和生命周期等信息

[>>XKB Connectivity\(中国星坤\)](#)